

INSTRUCTION FOR INSTALLATION

Technical Specifications

Testing pressure **15 bar**
 Cold water inlet **blue dot right side**
 Hot water inlet **red dot left side**

Working limits according to UNI 10234 EN (817)

Pressure **Min 0,5 bar** **Max 10 bar**
 Temperature **Max 90°C.**

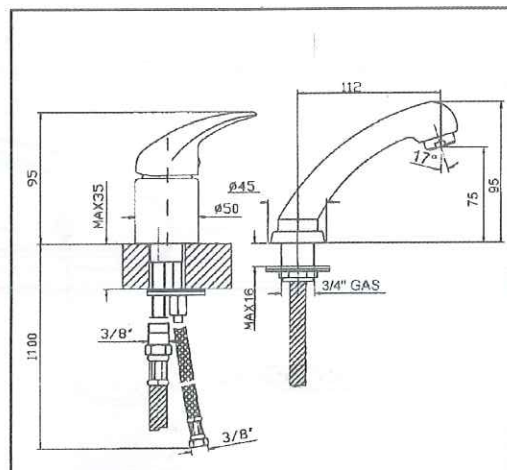
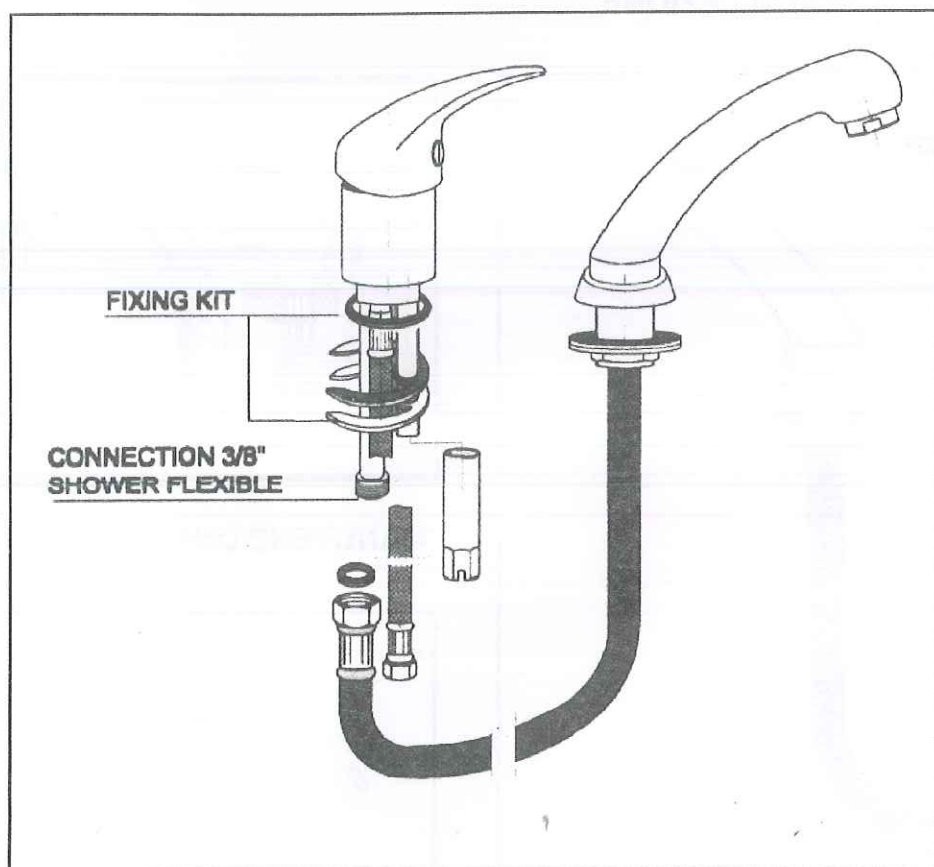
Restrictions on usage recommended by EN 817 "for good operation" of the faucet:

Pressure **Min. 1 bar** **Max. 5 bar**
 Temperature **Max. 65°C**

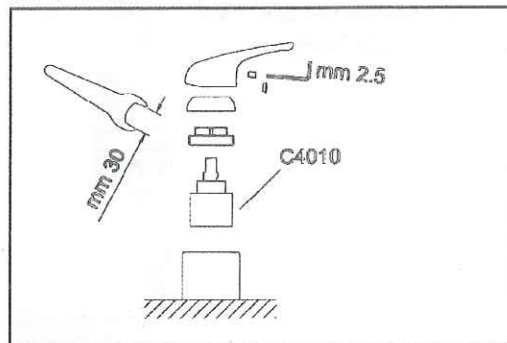
Notice

- It is necessary to rinse thoroughly all tubes of the installation in order to prevent small stones or fillings from damaging the mixers.
- In case of working pressure of more than 5 bar it is recommended to install a pressure reducer
- It is also recommended to install a centralised filter in case of water containing impurities.

INSTALLATION



MAINTENANCE



GUARANTEE

Gamox guarantees for 5 years from the date of installation the two-hand mixers and the single control mixer. Showers and flexible tubes are guaranteed for 6 months.

Eventual requests for replacement under guarantee can be submitted only if accompanied by presentation of a document of purchase of the product. The guarantee is valid only against defect of production, and gives the right of a free replacement of the defective piece.

The guarantee will not be retained as valid in event of one of the following cases:

- Mishandling of the product
- Wrong installation
- Use of Pressures and Temperatures different from those advised.
- Use of impure water, particularly water with the presence of foreign bodies
- Cleaning of the surfaces of the mixers with corrosive or abrasive agents. It is advised to clean the surfaces with water and neutral soap.