

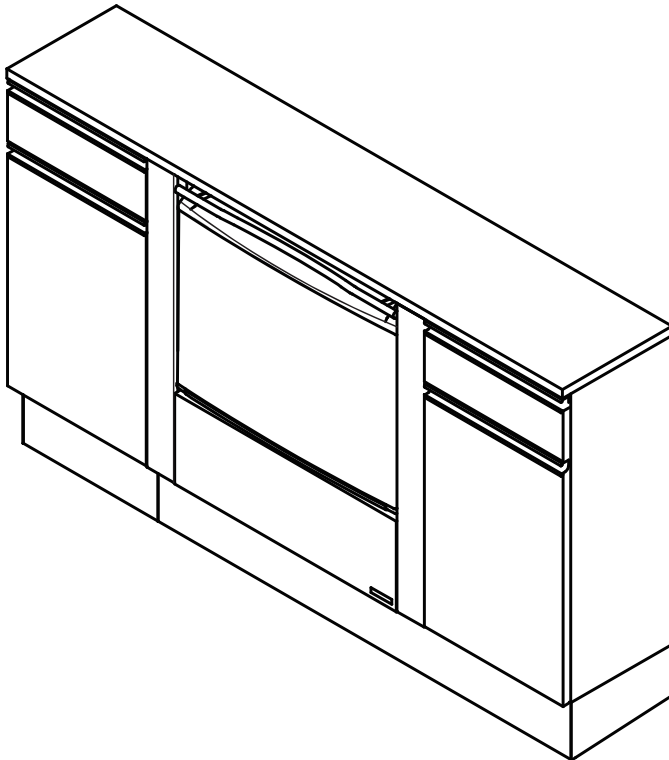
SALON CONSOLE

Installation Instructions

■ Salon Console

AY-CU*SX1[single tap type]

AY-CU*SX2[double tap type]



Contents

Before installation	2
Usage conditions	4
Parts illustration	5
Content of packaging	5
Installation	6
MEMO	11

To the installer

- The instructions should be thoroughly read and understood before installation to ensure that Salon Console is installed correctly.
- After installation, give this instruction to the customer.

To the customers

- Customers must not install Salon Console by themselves.
- Customers must store this instruction in a safe place so as not to lose them.

* The actual shape of Salon Console and the images and dimensions listed in this instruction may be modified and are subject to change without notice.

The precautions listed here are to ensure that Salon Console can be installed safely, and to prevent any danger or risk to the person installing Salon Console or those around them. All of these precautions are important for safety. If Salon Console is installed without adhering to the precautions, Takara Belmont is not responsible for any damage or risk of accidents to the person who installs or the others around them.

Caution

If Salon Console is installed after ignoring this symbol, "there is the risk of light or moderate injury or physical damage".

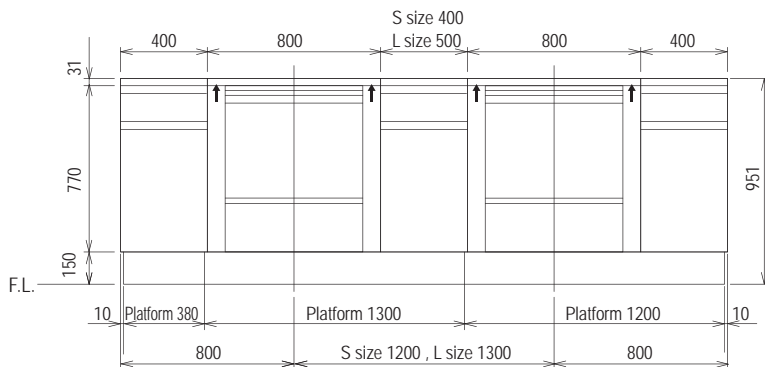
Before installation

◇ For the platform size 150 , European standard size.

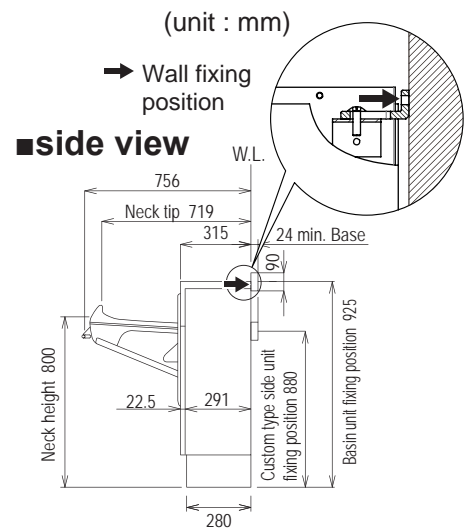
<Dimensions>

Custom type S size , L size

■Front view



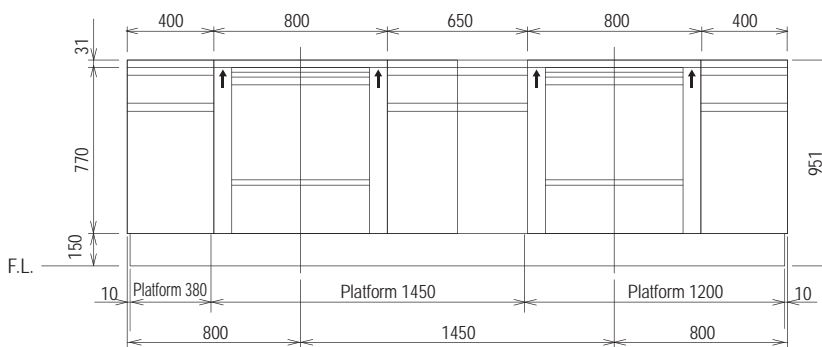
➔ Wall fixing position



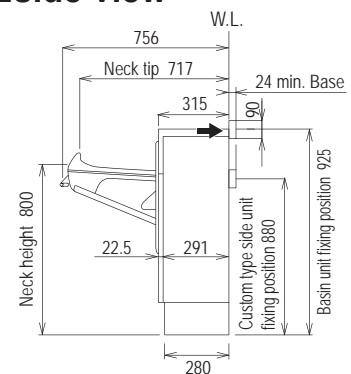
■side view

Custom type LL size

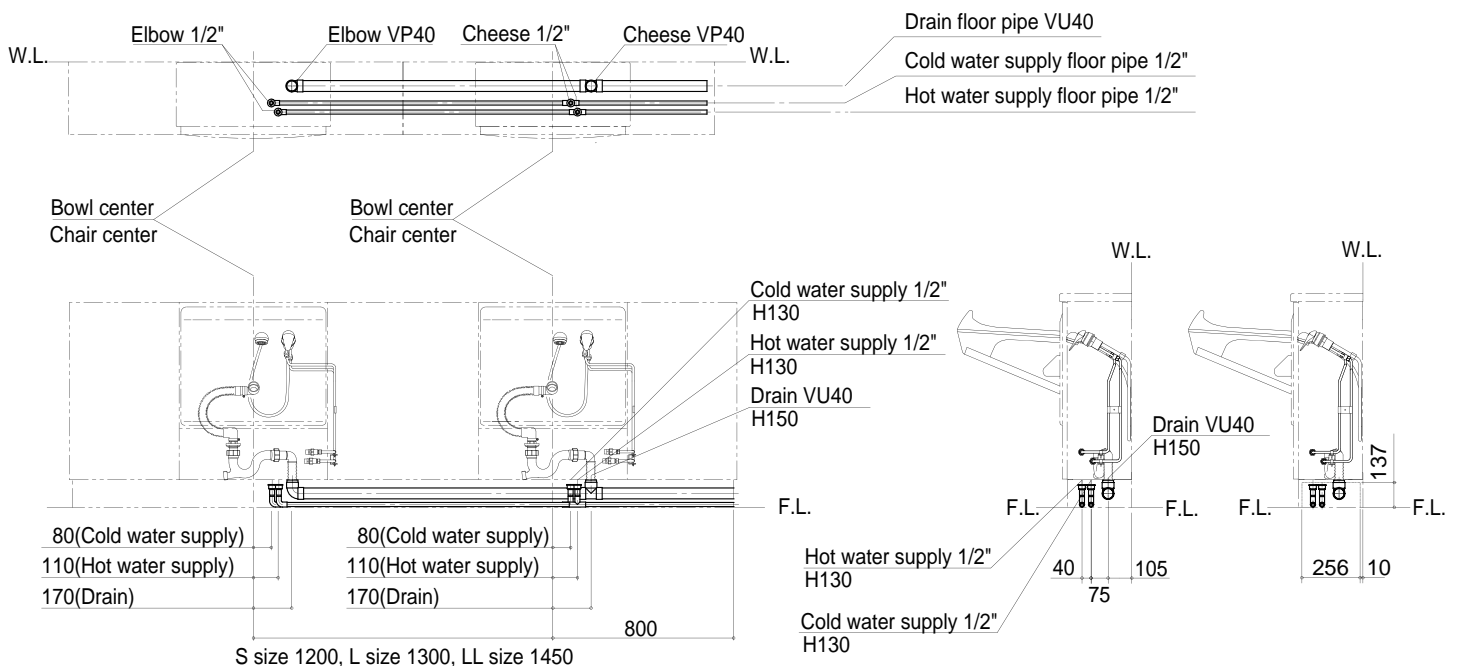
■Front view



■side view



<Plumbing layout>



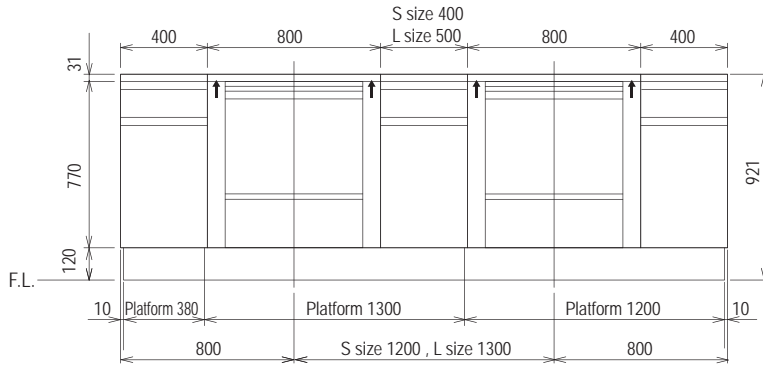
If you are unsure of which dimensions apply , please contact your nearest Takara Belmont office or dealer.

◇ For the platform size 120

<Dimensions>

Custom type S size , L size

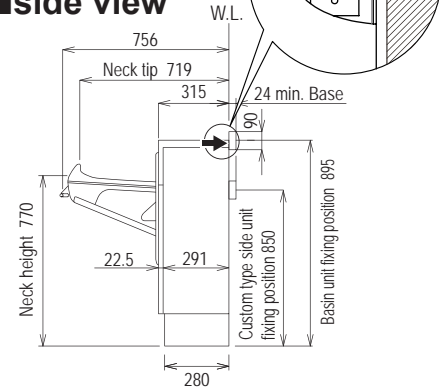
■Front view



➔ Wall fixing position

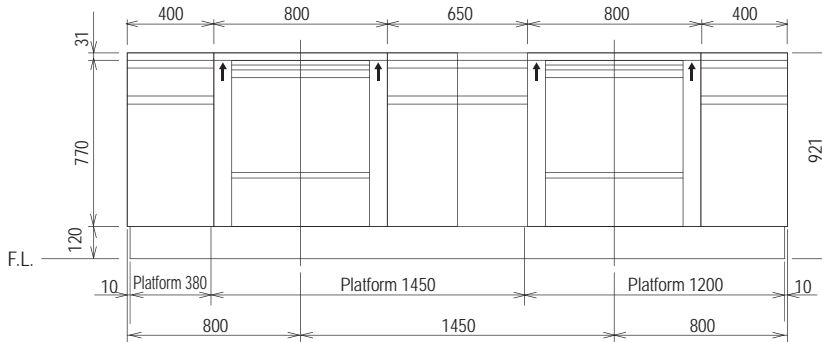
(unit : mm)

■side view

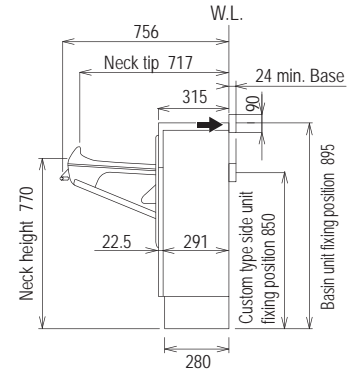


Custom type LL size

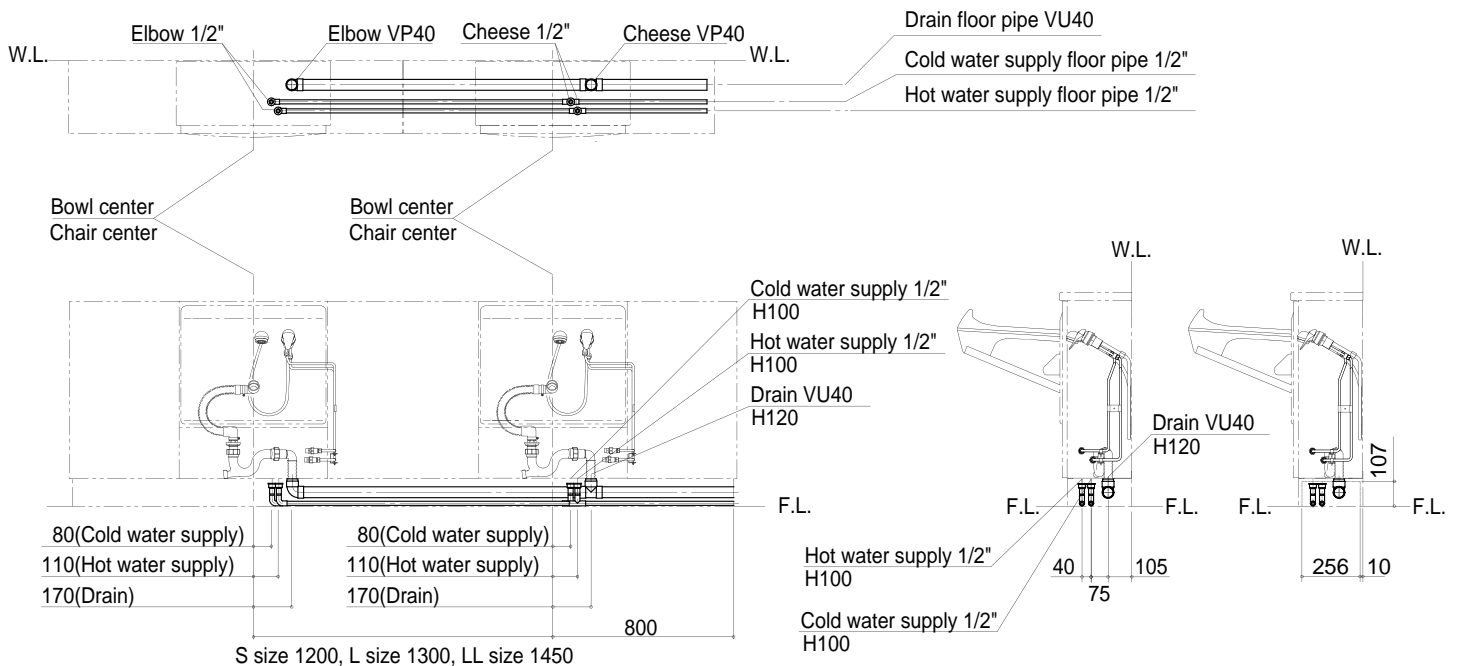
■Front view



■side view



<Plumbing layout>



If you are unsure of which dimensions apply , please contact your nearest Takara Belmont office or dealer.

■Floor surface

- Ensure that the material or finishing of the floor surface is waterproof or has a waterproof coating applied.
- Always ensure that the floor surface is horizontally level.
- Ensure that the floor surface is smooth and free from bumps around the attachment areas.
- Installing pipes

[Pipe specifications]

Hot water supply, water supply	Rc 1 / 2" pipe from floor Hotwater supply H : 110mm water supply H : 80mm
Drainage	VU40 Pipe from floor H : 170mm

- The following levels of strength are required for the floor surface.

Wooden floor	Plywood thickness of 30 mm or more (two 15 mm sheets joined together)
Mortar floor	Mortar thickness of 50 mm or more
Special floor (stone finish)	A foundation with levels of strength listed above around the installation areas is required.

■Wall

- For installation on the wall, the wall base strength should be equal to or stronger than a 12mm-thick composite panel. If the wall is made of plaster or its thickness is less than 12mm, add a wooden reinforcement onto the wall(See page 2).
- Use a waterproof material such as melamine for the wall surface (for possible water splashes during shampoo treatment).

■Waterproofing

- In case of the installation on the first floor of higher, waterproof the floor appropriately (e.g. do waterproofing work, use a floor tray made of stainless steel, set up a water leak sensor, etc.)

■Installation of pipes

The following are important points to adhere to during the installation of pipes.

Read through the details carefully and ensure that the pipes are installed correctly.

- When installing this product, ensure that installation of pipes adheres to the instructions outlined in "Precautions during installation of pipes". Installing pipes without reading through the precautions will mean water may not mix properly, and a set temperature will not be achieved.
- This product is designed for indoor installation. Always install this product indoors.

■Precautions during installation of pipes

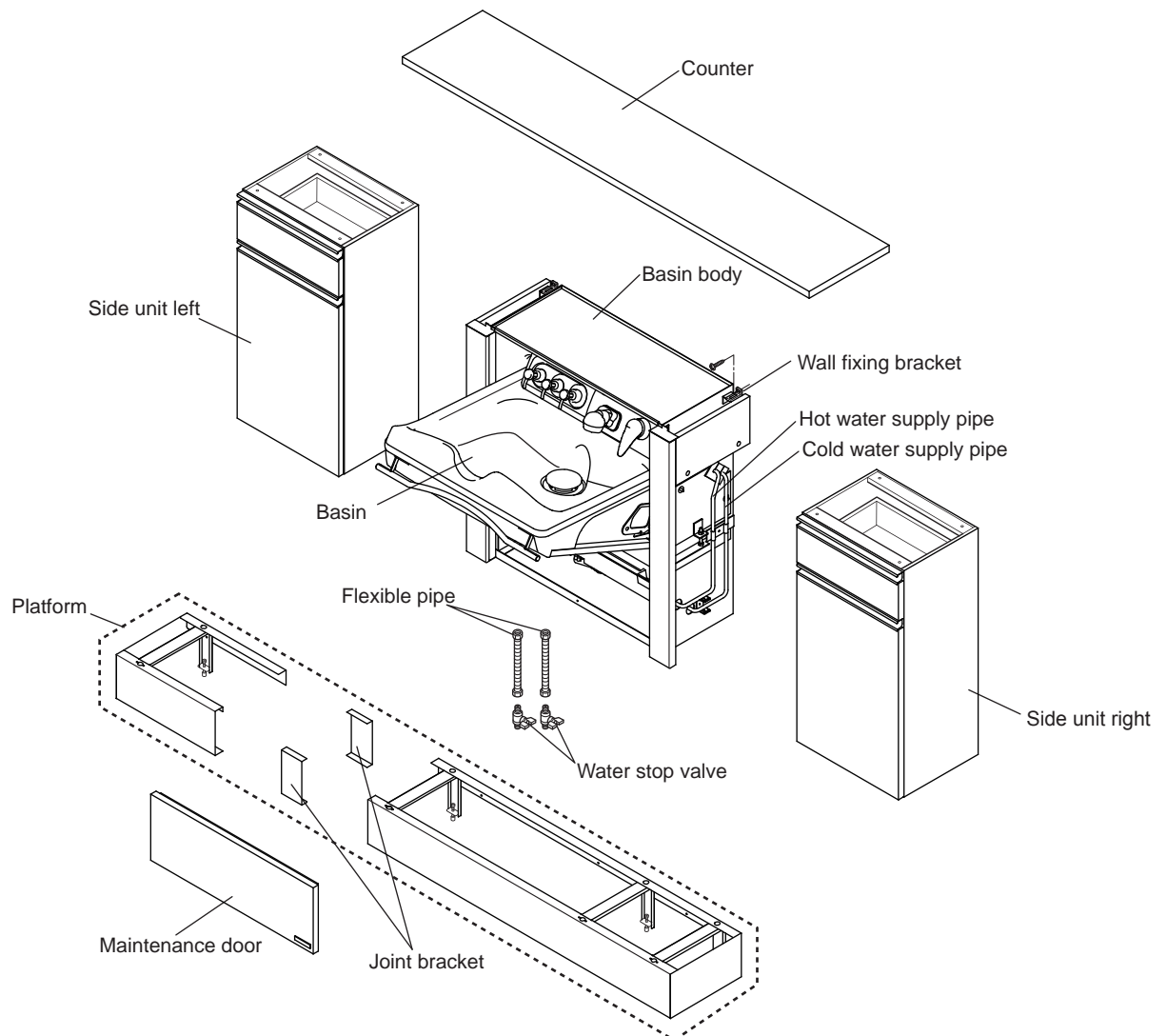
- Do not use pipes made of materials that may introduce rust for the water supply pipe.
In general, VP pipes or other materials specified by regulations in that particular region, are recommended for installation.
- In general, Type L deoxidized copper pipes are recommended for hot water pipes.
- In general, the same diameter and same pressure is recommended for hot water pipes and water supply pipes.
- Always use a reamer to deburr the ends of cut pipes.
- Avoid using inverted U-shaped pipes (siphon) as these can cause air to become trapped.
- Always connect hot water pipes and water supply pipes after removing all contaminants such as dirt, sand and oil as these can cause problems.
- After connecting the pipes and testing water flow, clean the filter and shower head.
- Ensure that the drain pipe is installed at a gradient of 1/50 for a diameter of $\phi 75$ or less, or 1/100 for a diameter of $\phi 75$ or more.
- Do not connect the hot water pipes and water supply pipes in reverse.
Connecting pipes in reverse will mean the temperature of water cannot be controlled properly by the water taps, which can cause problems including burns.
- Ensure that the hot water pipes from water boilers are only run over a short distance so as to minimize resistance.
Longer pipes can cause fluctuations in temperature and poor hot water delivery.
- Always wrap pipes with lagging material after installation is complete.
- Water boiler pipes
 - In general, the same diameter and same pressure is recommended for main hot water pipes and main water supply pipes.
- Equipment comes with hair catchers installed.

Usage conditions

■Hot water supply and water supply conditions

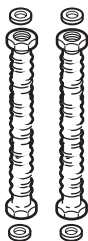
Water used	<ul style="list-style-type: none"> • Public water supply (do not use non-drinkable well water or water that contains rust or sand.) • If the water hardness is 80 ppm or higher, install a water softener to prevent the buildup of scale within the basin body. Aeration may be minimal when using shampoo even if drinkable well water is used, so a water softener should be installed.
Hot water supply, water supply pressure	<ul style="list-style-type: none"> • Use a pressure set between 0.1 to 0.4 MPa (1 to 4 kgf/cm²). If multiple Salon Console are used, ensure that the pressure does not drop below 0.1 MPa (1 kgf/cm²). • Set the water supply pressure \geq hot water supply pressure. • Set the difference between the hot water supply pressure and water supply pressure to within 0.2 MPa (2 kgf/cm²).
Hot water temperature into the product	<ul style="list-style-type: none"> • Set the hot water temperature to 80°C or less. • Set the temperature 10°C or higher than the shower temperature used.
Water boiler	<ul style="list-style-type: none"> • Do not use steam with the hot water supply.

Parts Illustration



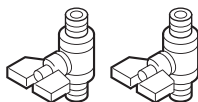
Content of packaging

□Flexible pipe ...2

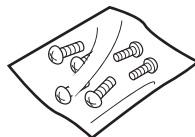


(L=200 mm)

□Water stop valve ...2



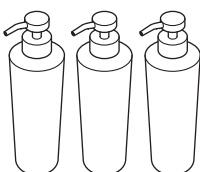
□Basin body floor fixing screw set



□Installation manual (this document) ...1

□Instruction manual...1

□Shampoo bottle ...3



□Bottle nozzle ...3



□Nozzle packing ...3



Installation

Precaution before installation

Hot water / water supply pipe, Drain pipe

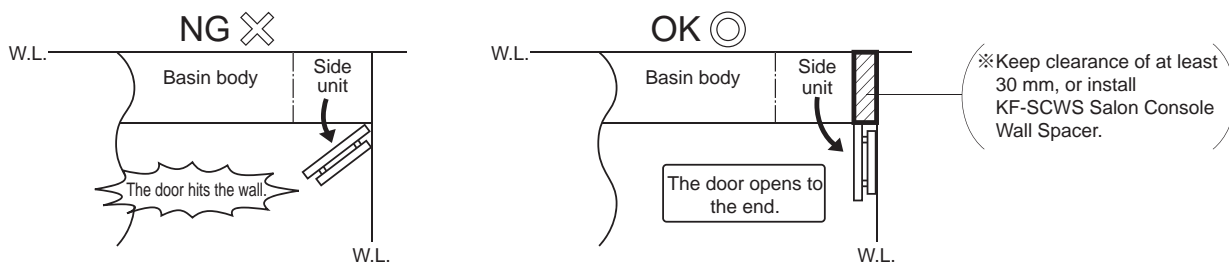
Install the pipes of cold water supply, hot water supply and drain correctly referring to the dimensions and the plumbing layout. (see page2)

Wall

If the wall material is plaster board (fire prevention board, add a wooden reinforcement (12mm-thick composite panel [see page 2])

Installing location

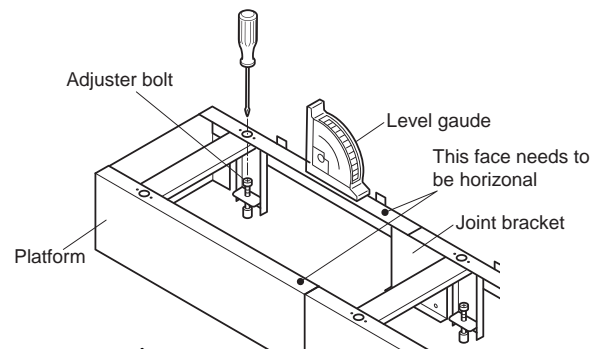
When installing salon console to the wall, ① keep clearance of at least 30 mm; or ② install KF-SCWS Salon Console Wall Spacer between the unit and the wall (regardless that the wall is in the left corner or the right corner).



※The illustration above shows when installed at the right corner. (Same as when installed at the left corner.)

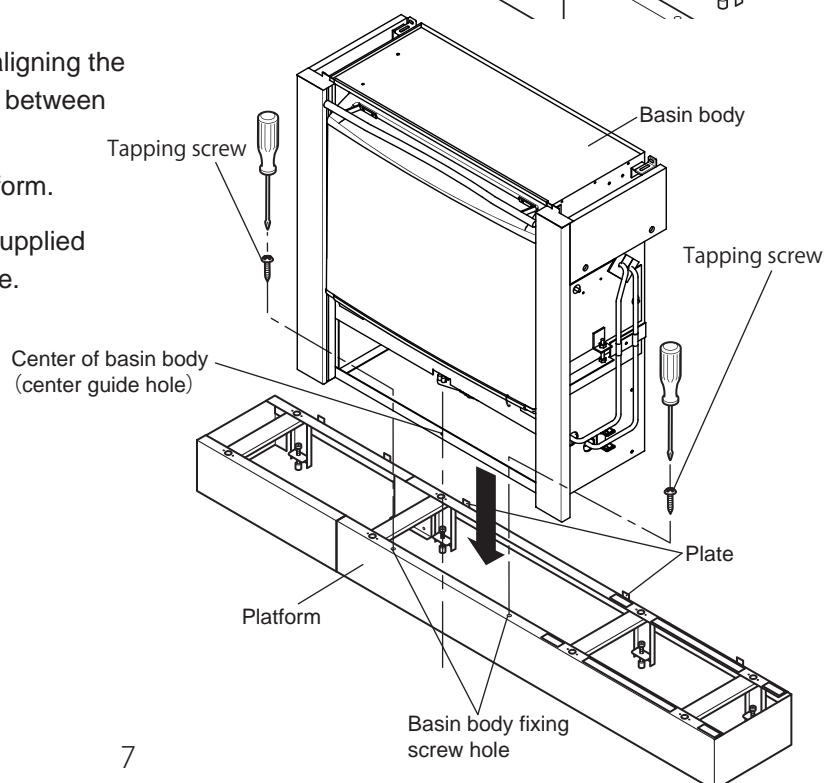
1 Setting platform

- ① Place the platforms and connect them by joint bracket.
- ② Set a level gauge as shown in the illustration. Adjust the adjuster bolts and level the platforms.



2 Setting basin body

- ① Place the basin body on the platform while aligning the center of the basin body with the center and between basin body fixing screw hole.
- ② Press the basin body to the plate of the platform.
- ③ Secure the basin body to the platform with supplied wood screw into basin body fixing screw hole. [M4x16 Tapping screw...2]

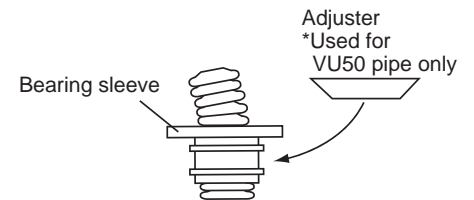
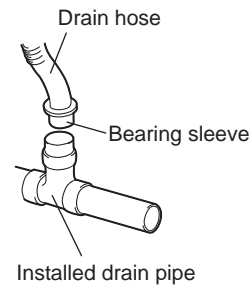
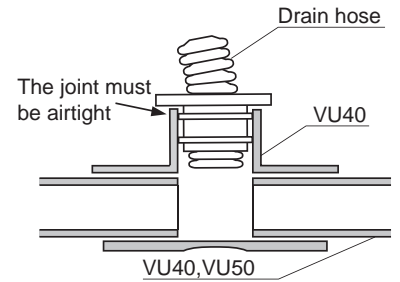


④ Connect the drain hose with installed drain pipe.

- i) Insert the drain hose with a bearing sleeve to the drain pipe.
- ii) Press the bearing sleeve to the drain pipe and fit it into the drain pipe so that the drain hose and the drain pipe are connected tightly.

*** When the diameter of the drain pipe is VU50, use an adjuster.**

***The joint of the bearing sleeve and the drain pipe must be set or installed airtight in order to prevent water leakage.**



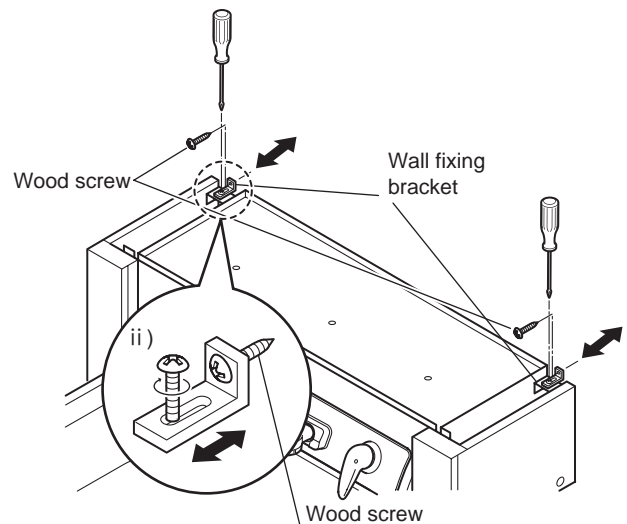
Caution

Always test the drainage flow to prevent accident during operation.
* Test the drainage flow at the sametime of the water flow. (P9 3-⑤)

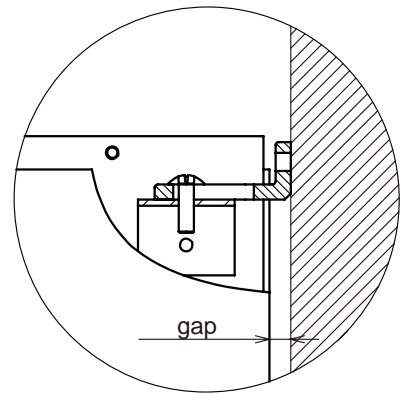
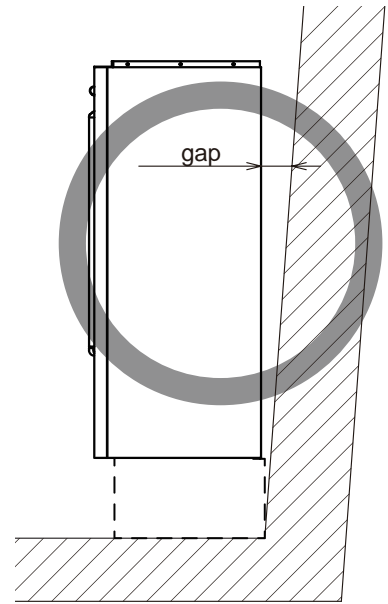
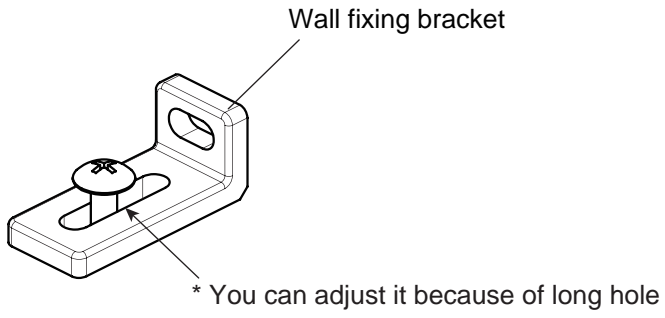
⑤ Secure the basin body to the wall with the wall fixing brackets (2 points).

[M4x30 Wood screw....2]

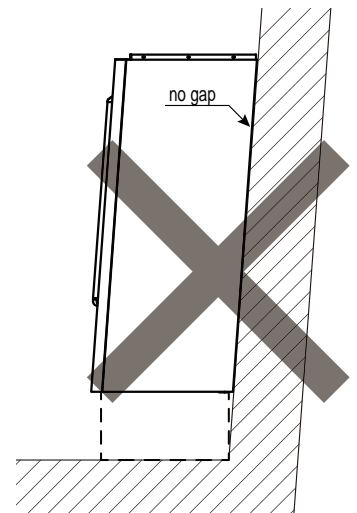
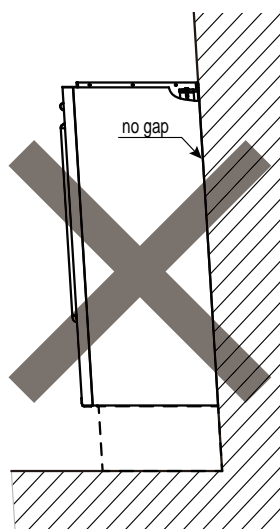
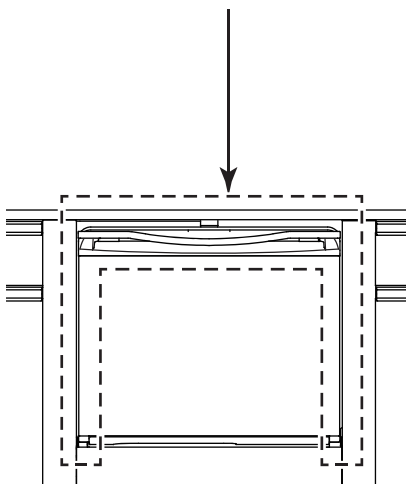
- i) Loosen the screws of the wall fixing brackets in the basin body side first. Set and tighten the wood screws in the wall.
- ii) Adjust the position of the basin body so that stand vertical on the floor. And then tighten the screws in the basin body.



* If there is gap between the basin body and the wall, fix the basin body on the wall keeping gap.



* When you fix the basin body on the wall with no gap to the inclined wall, the basin body will be fixed improperly. It makes improperly between basin and basin body.



3 Connecting hot water and water supply pipe

- ① Install water stop valve to installed hot water / water supply.

*Mount the water stop valve as the picture below and it is easy to open and close water with knob.
(Knob should be toward outside.)

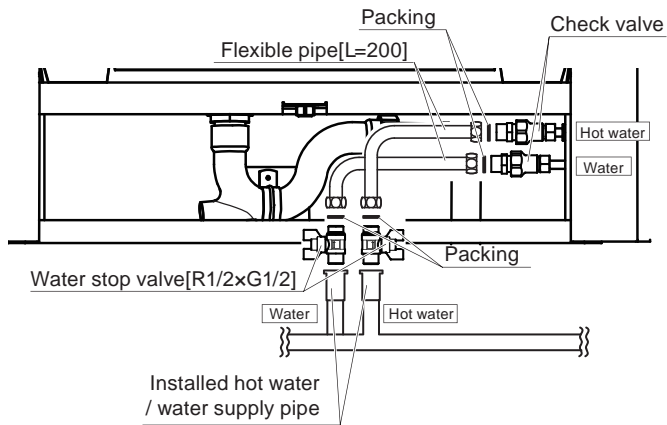
- ② Attach flexible pipes to check valves.

*Don't connect the hot water and water in reverse.

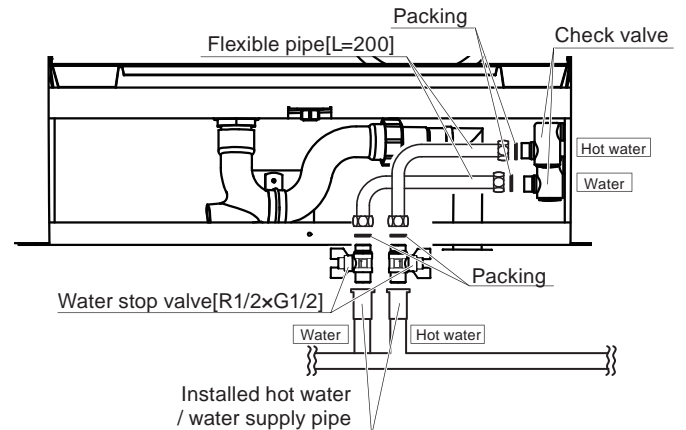
*Make sure to use the provided packings.

- ③ Attach flexible pipes to water stop valves.

*Make sure to use the provided packings.



(Single tap type)



(double tap type)

- ④ Test water flow



Caution

Test the water flow before use to prevent accidents.

* Test the water flow and inspect the following items. The hot water may be slightly tainted at the start of the water flow test, however this does not indicate any problem.

- i) Is there no water leaking from the pipe joints?
The pipe joints may come loose during transportation, so check all the joints in the basin body.
- ii) Are the hot water supply and water supply pressures at the same, stable pressure?
- iii) Is temperature be controlled properly?
- iv) Check that the shower outlet flow is sufficient, by the following as a guide for flow rate.

Hot water supply pressure, water supply pressure	: 0.1 MPa each
Shower outlet temperature	: 40°C
Shower head	: Approximately 8 L/min

- ⑤ Conduct water drain test. Check there is no leakage from the joint of the drain hose.

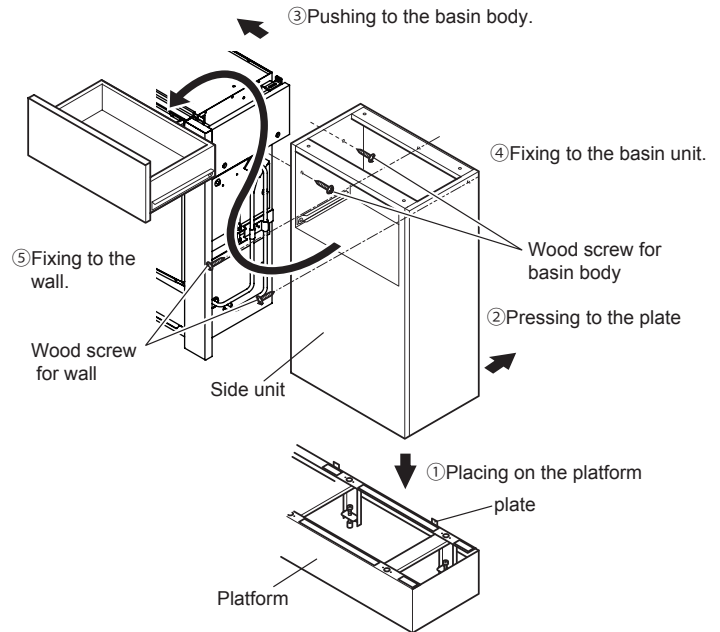


Caution

Drain test must be conducted in order to prevent water leakage during operation.

4 Setting side unit

- ① Place the side unit on the platform.
- ② Press the side unit on the plates.
- ③ Push the side unit to the basin body.
- ④ Fix the side unit to the basin body.
- ⑤ Fix the side unit to the wall.



5 Setting counter

Attach the counter to the basin body.

[M4×16 wood screw...3]

Follow the provided install manual in counter box about assembling counter.

6 After installation

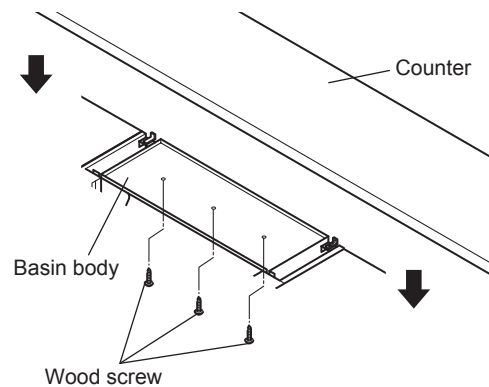


Caution

Be sure to execute the inspection before use to prevent accidents.

■ Inspection

- Check that there are no missing screws or other parts.
- Check that the basin body can be opened and closed smoothly.
- Check that the basin body and the side unit are installed without big gap.



NOTE



TAKARA BELMONT CORPORATION

1-1, 2-Chome, Higashi-shinsaibashi, Chuo-ku, Osaka, Japan

TEL . : (06) 6212-3523

FAX . : (06) 6211-5745

Printed in Japan

1E02KGB0