

# SALON CONSOLE

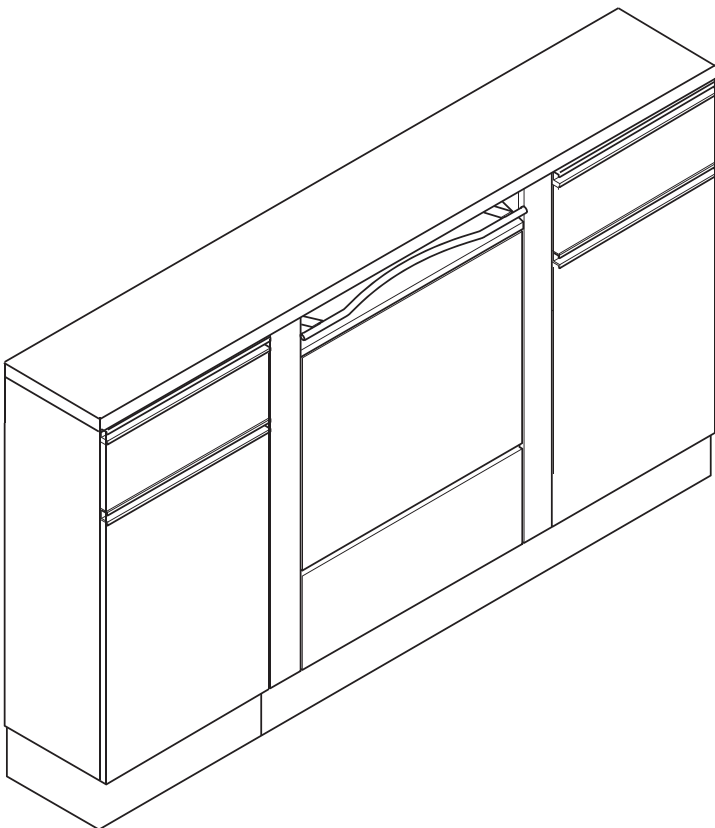
## Operating Instructions

### ■ Salon Console

#### ● Custom type

AY-CU\*SX1 [single tap type]

AY-CU\*SX2 [double tap type]



### Contents

Description of Warning Symbols	2
Safety Precautions	2
Precautions for Use	5
Position of Warning Labels	8
Before Using This Product	8
Precautions on Resin (Plated) Parts	8
Name of Parts	9
Accessories	9
How to Use	10
Guiding Customers	14
Maintenance	15
Daily Inspections	20
Parts Replaced on a Regular Basis	20
Standard Duration of Use	20
Consumable Supplies	20
Before Requesting Repairs	21
Disposing of This Product	21
After-sales Service	21
Specifications	22
Product Dimension	23
Procedures for Daily Inspections	24
MEMO	26

Thank you for purchasing this Takara Belmont product.  
**The instructions contained in this booklet should be thoroughly read and understood before use.**

Using this product before reading this operating manual may result in an accident. This product is an industrial shampoo unit designed for barbers and hair salons.

Only use this product for its intended purpose and do not use it for non-hairdressing work.

Keep this manual and refer back to them when required.

# Description of Warning Symbols

## ■ Before using this product








The "Safety Precautions" and "Precautions for Use" contained in this booklet should be thoroughly read and understood before use.

## ■ Precautions listed here



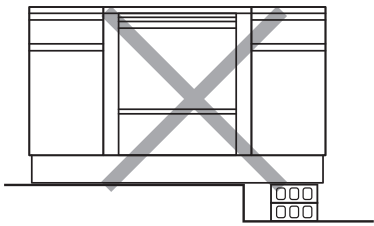

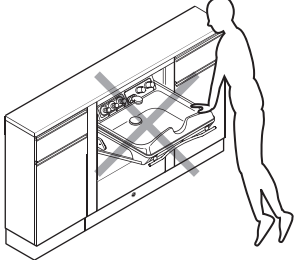
The precautions listed here are to ensure that this product can be used safely, and to prevent any danger or risk to the person using this product or those around them.

These precautions are important for ensuring safety. Adhere to these precautions at all times. Takara Belmont is not responsible for any damage or risk to the person using this product or those around them due to accidents if this product is used without adhering to the "Safety Precautions" and "Precautions for Use". In this case, the person failing to adhere to the "Safety Precautions" and "Precautions for Use" will be responsible for any damage or risk incurred. Detailed descriptions of symbols are provided below. Read and understand these symbols thoroughly before reading this manual.

## ■ Symbols

 <b>Warning</b>	<p>If this symbol is ignored and the product is used, "there is the risk of death or serious injury to the user".</p>
 <b>Caution</b>	<p>If this symbol is ignored and the product is used, "there is the risk of light or moderate injury or physical damage".</p>
<b>Note</b>	<p>Description of "ideal points to adhere to for safety".</p>
 Common danger, warning and caution notifications  Common prohibited actions  Prohibited disassembly or repairs/modifications <small>Disassembly Prohibited</small>	 Guidance or instruction regarding common user actions  Notification of high temperature warning <small>CAUTION Hot water</small>

# Safety Precautions (Adhere to these precautions at all times)

 <b>Warning</b>	
 <b>Install on a stable area</b> Install the main body on a flat, firm floor, and fix it securely for the wall. Failure to follow this instruction may cause the main body to fall over. 	 <b>Do not get on the basin body, the basin and the side unit</b> It may damage the basin body, basin and the side unit or cause the customer to be injured. 



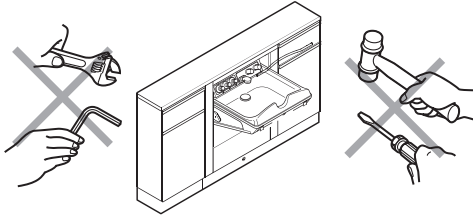
## Warning



Disassembly  
Prohibited

### Disassembly and repairs/modifications are prohibited.

Disassembly, repairs and modifications must not be conducted by people except repair technicians. Failure to follow this instruction may cause abnormal operation and the customer to be injured.



### Provide the service in correct position.

- Be sure to install the combination chair to correct position. When the service is provided in incorrect position, it may cause damage to the product and to the customer or hairdresser.
- Set the chair position and height properly. And take care of customer during operation when washing hair or face. When the hairdresser provides the services for customer with imbalance posture, the customer may feel sick or be injured.
- In particular, take care of providing the service to small children, and disabled customer. When providing the service hanging from the basin and sitting the chair in correctory, it may cause serious injury to them.



### Do not put objects over 10kg in the side unit.

Do not put objects over 10kg. Keep the weight balance between right side and left side. Failure to follow this instruction may damage the bottom of drawer shelves and rail or cause them to fall down and damage.



### Do not get on the door and the drawer.

Do not get on and hang down from the door and the drawer. Hinge and rail may cause damage or to fall or the basin body. Side unit may fall over and cause the customer to be injured. In particular, take care of children.



### Return the temperature control knob to an appropriate position after using hot water.

- Return the temperature control knob to an appropriate position after using hot water. Continuing to use the hot water with the knob in the hot position may cause burns.
- Using other appliances that share the same water/hot water supply source at the same time may cause unstable water temperature. If multiple appliances are to be used, move the temperature control knob slowly to adjust the temperature.



### Adjust the water temperature while checking the temperature by hand.

When adjusting the temperature of the water, reduce the volume of water, point the shower head away from the customer and check the temperature by hand. Take care when doing so, as hot water may come out of the shower head.



### Do not lean on the basin.

Leaning on the basin may cause the basin body to fall over.



### Do not use hot water (boiling water) of 60°C or higher.

Using hot water of 60°C or higher may deform or damage the basin, shower head, shower head holder, shower hose, and knobs.



## Caution



### Do not spray areas other than the basin with water.

- Take care not to spray areas other than the basin with water. If water come in areas other than the basin and get wet, wipe them dry as soon as possible. Water entering the main body may cause malfunctions.
- Take care not to allow water to drip on the floor. If water does drip on the floor, wipe it dry as soon as possible. Failure to follow this instruction may damage the floor, or cause water leakage.



### Do not use this product if the plated surface is peeling.

Replace taps (the temperature control knob) if the peeling. Keep using plated surface may cause injury.



### Take care of pulling the door open and close.

When you open the door to store towel and others to the side unit, take care not of arms and fingers not getting stuck. It may cause injury.



### Do not put the unbalance object on counter of the basin body.

When the object falls down during shampoo, it may hit the customer. Do not put the unbalance object and damage them.



### Don't let the customer sit down with the basin box open.

When the customer sit down, do it with the basin box closed. When the customer sit down with the basin box open, they will sit down unsteadily. It may cause the customer to fall down and be injured.



### Take care of the customer's leg when pull the basin box open.

Pull the basin box open after you check the saftey around customer underbody. The customer's knee hit the basin box and cause it to be injured.



### Do not pull the basin box or the door open and close forcedly.

Do not pull the basin box or the door open and close forcedly. Failure to follow this instruction may cause deformed or damaged and the customer to be injured.



### Take care of customer not standing up and hanging on the basin.

Take care of customer not standing up and hanging on the basin. Failure to follow this instruction may cause damage to the basin and fall down to injury.



### Do not use outdoors.

This product is designed for indoor use. Do not install this product outdoors or within a vehicle. Be sure to only use this product inside a barber or hair salons. Failure to follow this instruction may cause malfunctions or damage to the main body.



### Only use this product for its intended purpose and do not use it for non-hairdressing work.

This product is an industrial product designed for barbers and hair salons. Only use this product for its intended purpose and do not use it for non-hairdressing work.



### Do not impact the unit to shocks.

Do not impact the unit to shocks. Failure to follow this instruction may cause damage, leading to injury.



### Do not pull the drain hose too forcefully.

Do not pull the drain hose too forcefully. It may cause water leakage because of the drain hose slipping.



### Do not keep using the damaged door.

When the door is damaged, exchange it. Failure to follow this instruction may cause injury.



### Don't use the chair with the basin box open.

Don't lift up/down, rotate the chair and lift up the legrest. Failure to follw this instruction may hit chair to the basin body or customers arm or leg may hit them to injury.



### Take care for the customer's head or fingers not to hit the product.

When the customer wash their face, take care for customer's head not to hit the counter or their arms or fingers not to hit parts in the basin to injury.



## Caution



### Do not put fingers in the gap between the basin and the basin box.

Do not put fingers in the gap between the basin and the basin box. It may cause damage to the product or injury to the customer. Be sure to check safe before pull the basin open and close. When their fingers get stuck, it may cause injury.



### Do not use the product in a place where freezing is expected.

Failure to follow this instruction may result in breakage of parts, thus resulting in water leakage. Repair of breakage due to freezing will result in fees being charged even during the warranty period. If freezing is expected, maintain the room temperature at 0°C or above by using a heater.



### Do not drink the hot water.

This product is designed for washing hair. Do not drink the hot water. The water quality may cause diarrhea or stomach pain.

## Precautions for Use



## Caution



### Do not use a scourer.

Do not use a scourer to clean the shower head, shower head holder or covers. Using hard cleaning tools such as a scourer or a sponge with a scourer, metallic scouring pad or nylon scouring pad may cause scratches.



### Do not use peppermint oil or aroma oil.

Do not use peppermint oil or aroma oil containing menthol. Failure to follow this instruction may cause damage to the resin parts, such as the shower head, shower head holder, shower hose, the tap, hair catcher, and temperature control knob.



### Clean the hair catcher regularly.

Clean the hair catcher as regularly as possible. Continuing to use the hair trap without cleaning it may cause the drain to become blocked with hair, leading to water overflowing and unhygienic conditions. Try to clean the hair catcher after each shampoo.



### Do not use strongly acidic or strongly alkaline cleaning solvents.

Do not use cleaning solvents containing mainly caustic soda (NaOH) or caustic potash (KOH) to clean the drain pipe. Never pour thinners, alcohol, nail polish remover, gasoline or kerosene into the drain. Failure to follow this instruction may cause damage to the drain hose.



### Do not keep the drawer and the door of the side unit open.

Do not keep the drawer and the door of the side unit open. It may cause deformation or damage. Don't put in a lot of objects not to pull them close.



### Put the original bottle in the bottle holder

Put the original bottle in the bottle holder. If you put the other objects except the original bottle, it may cause fall or damage.



### Set the water temperature for this product to 80°C or less.

Failure to follow this instruction may cause malfunctions or damage in parts such as the stop valve, check valve, flexible pipe and thermostat.



### Do not turn the water fully with the shower head in the shower head holder.

Failure to follow this instruction may spill out from the basin or splash to the customer.



## Caution



### Do not touch the hot water pipe or mixing pipe.

The hot water pipe and mixing pipe become very hot. Do not touch them directly.



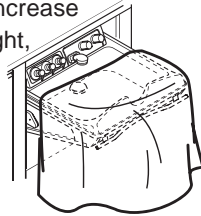
### Do not drop something heavy to the basin.

Do not place or drop something heavy to the basin. Failure to follow this instruction may cause damage such as scratches or cracks.



### Do not cover the drain outlet when this product is not going to be used.

Do not cover the drain outlet with the drain cap, towel, or shampoo cloth after finishing the work. Water may overflow the basin when water is improperly discharged or a small amount of hot water is discharged due to an increase in water pressure during the night, resulting in water leakage. Be sure to remove the trap cover from the drain outlet when the product is not in use.



### Close the knob firmly.

After finish using or shampooing, turn the knobs firmly and turn the water off completely. Failure to turn the water off completely may cause water leakage.



### Install the maintenance door correctly.

Install the maintenance door correctly after cleaning up. When the door fall down during operation, it may cause damage to the product or injury.



### Always wipe the floor clean if it is wet.

Wipe the floor as soon as possible if it is wet after shampooing. Failure to follow this instruction may damage the floor or cause degradation and malfunctions to parts in contact with the floor.



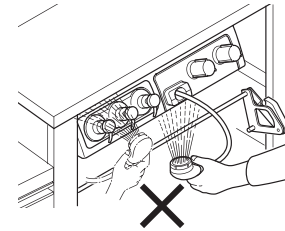
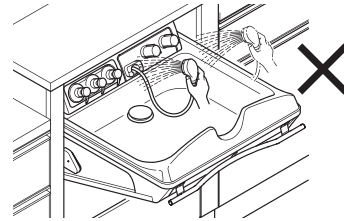
### After use, wipe water away from all except the basin.

Keeping the main body with water on, it may cause damage or make dirt and difficult to remove.



### Don't splash the counter, the back of operation panel and the side and back of basin box.

Don't splash the counter, the back of operation panel and the side and back of basin box. Failure to follow this instruction may cause damage to the product.



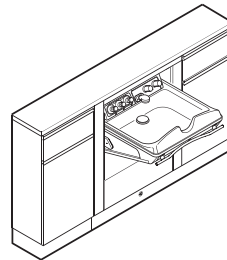
### Do not hit the resin (plated) parts with objects.

Do not hit the resin (plated) parts, such as the tap and temperature control knob with hard objects. Failure to follow this instruction may cause flaws or cracks on the plated surface, so that the plated surface is peeled and result in injury.



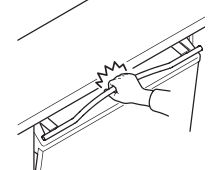
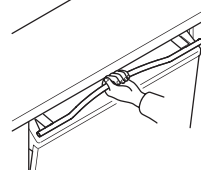
### Avoid direct sunlight or heat from a stove.

Avoid direct sunlight or heat from a stove. Failure to follow this instruction may cause discoloration or degradation of the door.



### Hold the handlebar from below.

If holding the handlebar from the top, your hand may hit the counter when pull the basin close.







## Caution



### Do not hook anything on the door handle of the side unit

Do not dangle or hook anything on the door handle of the side unit. Failure to follow this instruction may cause defect for open and close or damage.



### Take care of using shower hose.

Don't pull the shower hose forcedly. Failure to follow this instruction may cause damage or water leakage.



### Do not hit the product with objects.

Do not hit the product with hard objects. Failure to follow this instruction may cause deformation or damage.



### Clean the inner panel drain outlet regularly.

Clean the inner panel drain outlet. Failure to follow this instruction may cause poor drainage or strange smell because obstacle stays.



### Do not allow any object to enter the basin drain outlet.

Be careful so that no object will enter into the drain outlet. It may cause poor drainage. If any object enters into the drain outlet, stop using the product.



### Take care of using the maintenance door.

When put the maintenance door on/off, take care not to fall down or hit the basin body or the chair. Failure to follow this instruction may cause damage to maintenance door, the product or the chair.



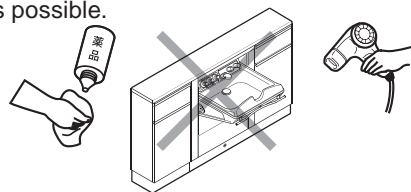
### If chemicals spill on to this product, wipe them dry as soon as possible.

If chemicals such as hair dyes spill on to this product, wipe them dry as soon as possible. Failure to follow this instruction may cause discoloration, deterioration or deformation. Also, if chemicals spill on to the floor, wipe them dry as soon as possible.



### Do not wipe with chemicals or apply heat.

Failure to follow this instruction may cause deformation or discoloration. If chemicals spill on to the leather or covers, wipe them dry as soon as possible.



### Cleaning the inner of basin body every day.

Clean the water and dirt on the operation panel and the inner panel of the basin every day. Leaving it as it is may cause discoloration, deterioration and corrosion.



### Do not apply excessive force to the door and the drawer.

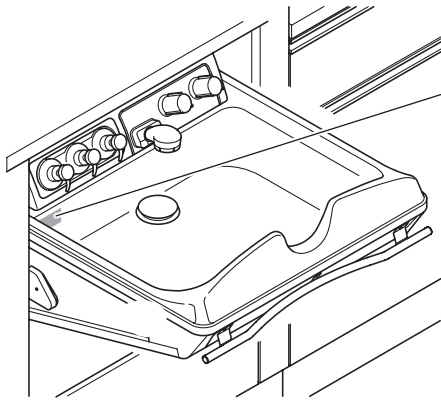
Failure to follow this instruction may cause damage to the door and the drawer to injury.



### Cleaning the shower hose regularly.

Clean the shower hose as frequent as possible. Failure to follow this instruction may be difficult to remove dirt.

## Position of Warning Labels



⚠ CAUTION	⚠ CAUTION	⚠ CAUTION
⊘	!	⊘
Do not use hot water of 60°C and higher. Using hot water at 60°C and higher may deform or damage the ceramic bowl, the shower head or the faucet handle.	If chemical such as hair dye attached to the equipment, wipe it out immediately, or it may cause discoloration or deterioration.	Do not use chemical detergent mainly containing caustic soda (NaOH) & caustic potash (KOH) for cleaning drain pipes, etc. This may cause damage on the drain hose, etc.
For other cautions, please read the operating instruction carefully before use.		

## Before Using This Product

- Check the accessories are installed correctly to the product.
- Some surface of basin body, basin box and side unit is made of melamine. In some case, it can cause color unevenness or irregularity or foreign substances mixing. The process of making melamine results in them, so they are not defect or quality problem.
- The colour of basin can change corn colour or be discoloured a cross the age. The characteristic of resin results in them, so they are not defect or quality problem.

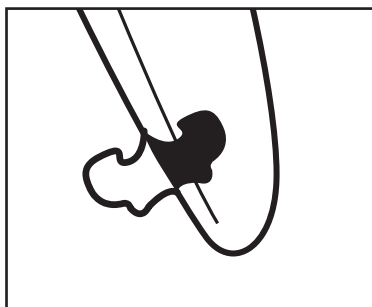
## Precautions on Resin (Plated) Parts

- The surface of the tap (temperature control knob) is plated.
  - The thickness of plating is thin and hard matalic film. Corrosion and secular change can result in crack or peeling on plated surface.
  - Impact with falling objects can result in scrachor crack on plated surface.
  - Hitting hard objects can result in scrach or crack on plaed surface.
  - Scrach or crack on plated surfase can result in peeling plated.



### Caution

Check that there are no scratch, cracks, or peeling on the plated surface of the tap and the knobs before using the product. If you find peeling, stop using the product immediately. Failure to follow this instruction may cause injury.



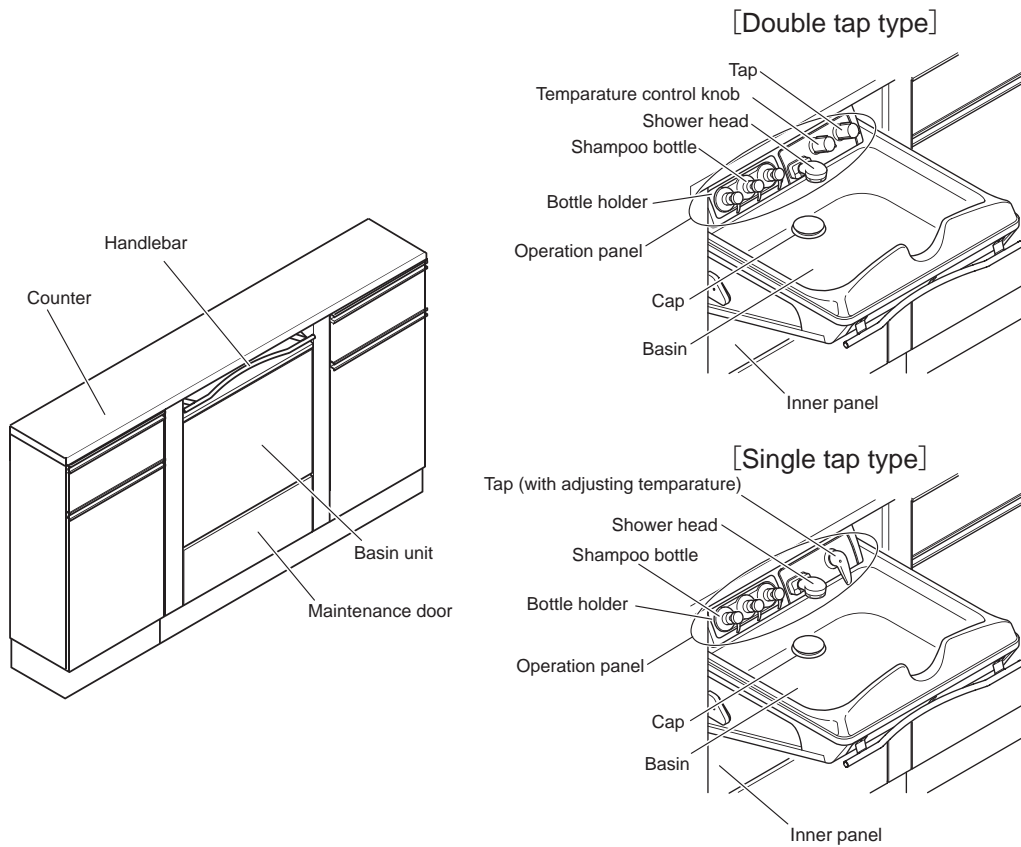
Example of peeling of the plated surface



Example of scratch on plated surface

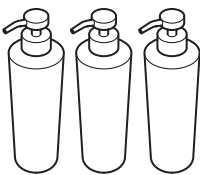


# Name of Parts



# Accessories

Shampoo bottle...3



Bottle nozzle... 3



Nozzle packing... 3



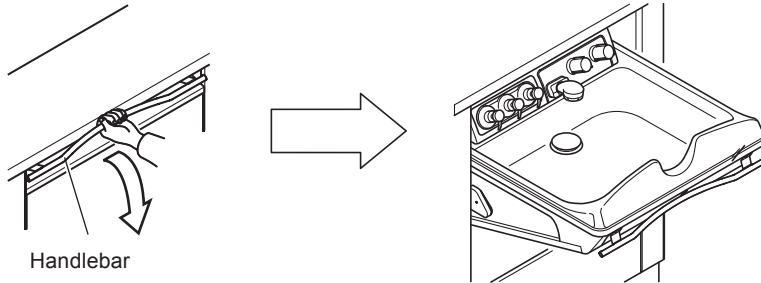
Installation manual ...1

Instruction manual (this document)...1

# How to Use

## ■ Open the basin box. (The picture below is double tap type)

Hold the handlebar and pull the basin box open.  
Be sure to pull it open until it stops.

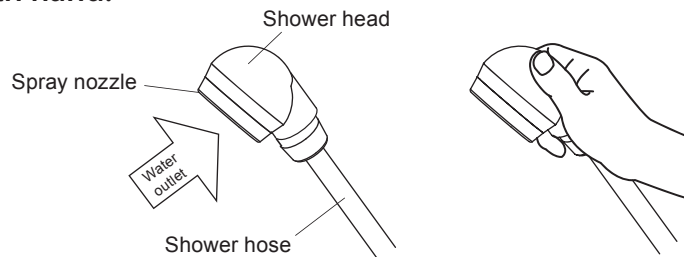


### ⚠ Caution

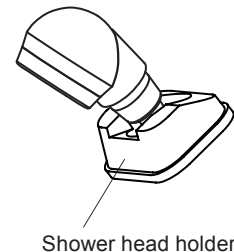
- Be sure to confirm safety before you pull the basin open and close.  
If you pull the basin open and close on customer's fingers, they will be injured.
- Be sure to confirm no obstacle around the product when you pull the basin open.  
When the obstacle hits the product, the product may be damaged.
- Be sure to pull the basin open without much strength.  
Failure to follow this instruction may deform or damage the product, leading to injury.
- Hold the handlebar from below.

## ■ Use the shower head

1. Pull the shower head out with hand.



2. After use, put the shower head back to the shower head holder.

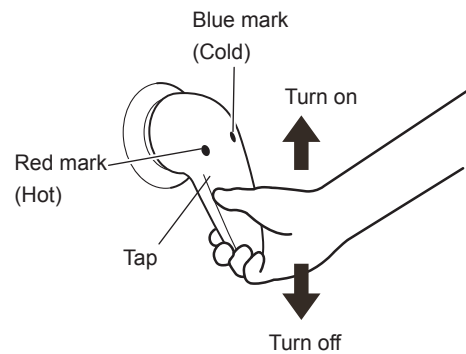


### ⚠ Caution

- After using the shower head, be sure to put it back in the shower head holder. Failure to follow this instruction may damage the shower head or the basin.
- Return the shower head to the shower head holder after use so that the spray nozzle is pointed toward the basin.
- Be sure not to pull or bend the shower hose forcedly. Failure to follow instruction may damage the shower hose and cause water leakage.

## ■ Turn on hot water. / Turn off hot water. (The picture below is single tap type)

1. Hold the shower head carefully not to splash water for the customer.
2. Pull the tap up as this picture will put water out from the shower head.
3. Pull the tap down fully as this picture will stop water.

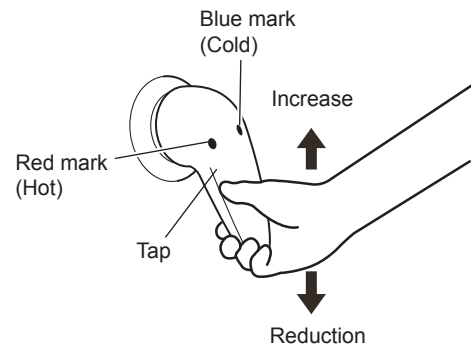


### Notice

- When you pull the hot water, be sure to pull the tap up from right side (blue mark side). If you pull the tap up from left side (red mark side), the hot water may cause burn.
- When you stop hot water, be sure to turn the tap for right side (blue mark side) and turn it down completely. Failure to follow this instruction may cause burn by the hot water in the tap.
- When you use the tap, be sure to use it slowly. Failure to follow this instruction may cause noise or change the water temperature suddenly.
- When you pull the hot water, the spray nozzle should be pointed toward the basin.
- Be sure to check the water temperature before you pull the water to the customer's head.
- When you don't use the product, be sure to turn the tap down completely and stop the water. Failure to turn the water off completely may cause water leakage.
- After using, do not cover the drain outlet with the drain cap, towel or shampoo cloth. Water come out accidentally (such as increasing water pressure at night), this may cause water leakage. This may cause water leakage by accidental spout (such as increasing water pressure at night).
- Do not use hot water (boiling water) of 60°C or higher. Using hot water of 60°C or higher may deform or damage the parts such as the basin, shower head and the tap.
- If the drainage become sluggish, the drainpipe may be clogged with dirt. Then stop using it.
- Be sure to remove metal accessory like ring, watch band before you use the tap.
- Check to ensure that there are no flaws, cracks, or peeling of the plated surface of the tap. If you find peeling, immediately stop using the product. Failure to follow this instruction may

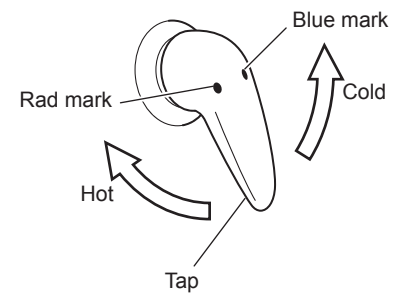
## ■ Adjusting the volume of water (The picture below is single tap type)

1. The volume of water will increase as the tap is pulled up.  
The maximum volume of water will be output when the tap is pulled full up.
2. The volume of water will decrease as the tap is pulled down.  
Pulling the tap full down will stop the water.



## ■ Adjusting the water temperature (The picture below is single tap type)

1. Turning the tap toward the left (red mark side), will make the water hotter.
2. Turning the tap toward the right (blue mark side) will make the water colder.

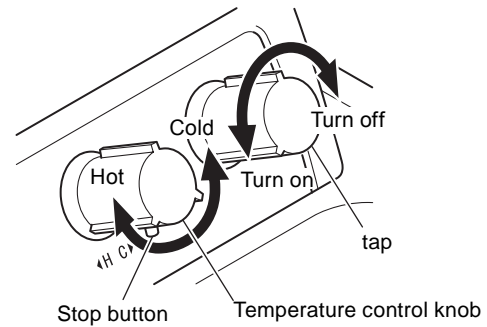


- When you pull the hot water, be sure to pull the tap up from right side (blue mark side). If you pull the tap up from left side (red mark side), the hot water may cause burned.
- When you stop the hot water, be sure to turn the tap for right side (blue mark side) and turn it down completely. Failure to follow this instruction may cause burned because the hot water stay in the tap.
- When you use the tap, be sure to use it slowly. Failure to follow this instruction may cause noise or change the water temperature suddenly.
- When you adjust the water temperature, reduce the quantity of water, change the angle not to splash toward the customer.  
You may have the hot water then, so take care of using it.

- ⚠ Caution**
- Using other appliances that share the same water/hot water supply source at the same time may cause unstable water temperature. If multiple appliances are to be used, turn the temperature control knob slowly to adjust the temperature.
  - Do not use hot water (boiling water) of 60°C or higher.  
Using hot water of 60°C or higher may deform or damage the parts such as the basin, shower head and the tap.
  - The water temperature may be changed dramatically when by the environment or condition that it is used in. This change is not indication of the defected product. But it may happen by the condition, such as, out of recommendation value (our recommendation is from 60°C ~ 80°C) or high hot water / water pressure or large difference of these pressure, or the concurrent use of some product. It is not indicative of a defective product.

## Double tap type

1. Hold the shower head carefully not to splash the water to the customer.
2. Turn the tap.
3. Turn the temperature control knob and adjust temperature.



### ⚠ Caution

- To use hot water (40°C or higher), turning the temperature control knob toward hot direction over the stop button more, it will make the water very hot.
- Take care not to be burned. After you finish using the hot water, turn the temperature control knob toward C (cold side).
- The water temperature and set temperature may be different depending on the environment or condition that it is used in. (When you turn the temperature control knob toward H to rock, the water temperature is 40 °C) This is due to the temperature of hot water supply is out of recommendation value(our recommendation is from 60°C~80°C) or high hot water / water pressure or large difference of these pressure, or the concurrent using with some other products at some time. It is not indicative of a defective product.
- Be sure to remove metal accessory like ring, watch band before you use the tap.
- Check to ensure that there are no flaws, cracks, or peeling of the plated surface of the tap. If peeling is observed, immediately stop using the product and contact the closest dealer. Failure to follow this instruction may cause injury.

\* For safety reason you can't turn on hot water over 53 degree with this product (The pressure of hot water and water is the same, hot water : 60°C , cold water : 20°C )

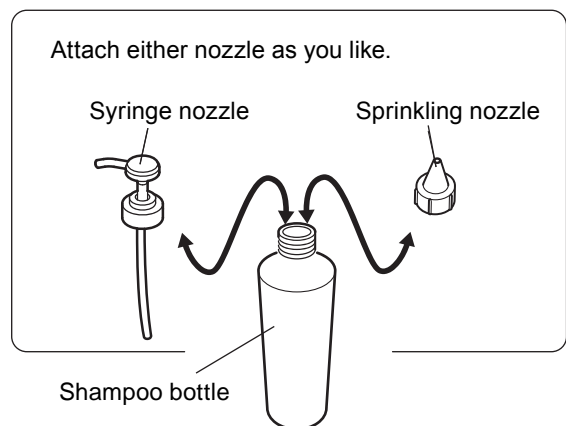
## Use a shampoo bottle

Shampoo bottle are provided.

These bottle is for shampoo, rinse and treatment.

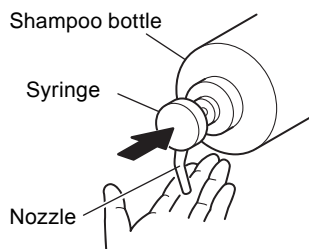
<Put the shampoo to shampoo bottles>

1. Remove the syringe from the shampoo bottle and put shampoo.
2. Attach the syringe nozzle or sprinkling nozzle to shampoo bottles.
3. Supply shampoo liquid.



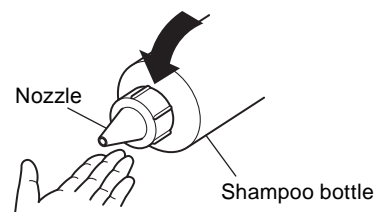
< Syringe nozzle >

- Place your hand below the nozzle and push the syringe.



< Sprinkling nozzle >

- Place your hand below the nozzle and tilt the shampoo bottle.



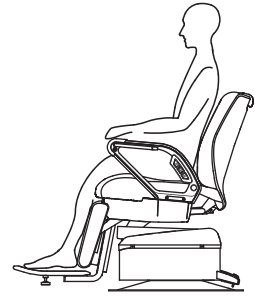
### ⚠ Warning

Tighten the syringe nozzle and sprinkling nozzle.  
When they're not closed tightly, it may cause falling or damage of it.  
Loosing these nozzle may make them fallen down or damage

# Guiding Customers

## ■When shampooing (The picture below is double tap type)

1. Guide customer to sit on the chair.
2. Put a shampoo cloth on customer.  
Recommendation: shampoo cloth without dropper
3. Open the basin box. ( See the "How to Use" on page 10)  
Hold the handlebar and pull it open.



### 3-1. Guide the customer lean forward.

Guide the customer lean forward for the basin. Adjust the height of chair as necessary.

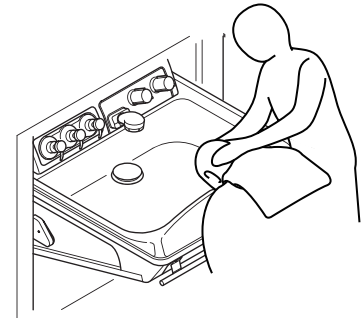
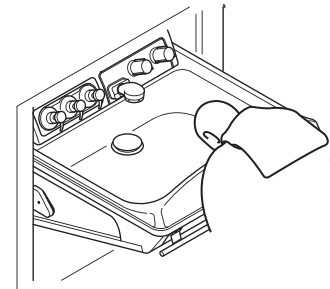
**Warning** Make sure that the customer doesn't hit basin on their chest or knee when you guide customer to lean.

**Warning** Check the operation manual of the chair about how to use it.

### 3-2. Shampoo the customer's hair.

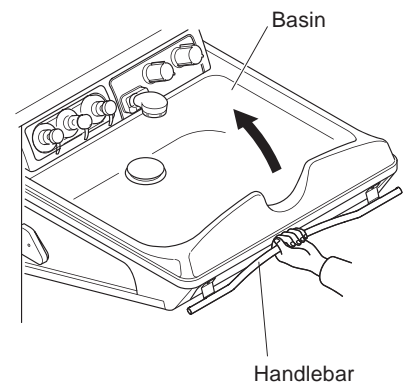
Get the customer's hair washed with the hairdresser standing beside basin.

**Warning** Make sure that the customer doesn't hit the basin forcedly.



## ■After shampooing (The picture below is double tap type)

1. After shampooing is completed, guide the customer get up and return the chair to initial position.
2. Hold the handlebar and pull basin box close.
3. Wipe off the water or chemical on the outside surface, the counter and the door. In particular, wipe off color chemical immediately.



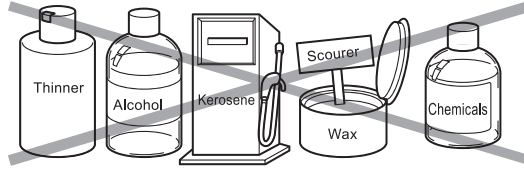
### **Caution**

- After use, wipe off the water on all parts except the basin. Leaving it as it is may cause damage to the main body, make dirt and it is difficult to remove.
- Do NOT hold the handlebar from the top. Your hand may hit the counter when you pull the basin box close.

# Maintenance

Never use volatile chemicals such as thinners, alcohol, gasoline or kerosene, cleaning products such as wax with a scourer, a sponge with a scourer, detergents that include organic solvents, acidic, alkaline or chlorine-based detergents, or scouring pads. Failure to follow this instruction may cause scratches or discoloration.

## ⚠ Caution



## ■Basin, Inner panel, Operation panel, Bottle holder

Basin, inner panel, operation panel, bottle holder is made of resin. Leaving shampoo, treatment and water get them stained or slimed. Keep them clean regularly.

### < How to care >

1. Clean them with the water and remove stain and slime by soft towels.
2. If they are extremely dirty, wipe with a 10% detergent solution diluted with the water.

## ⚠ Caution

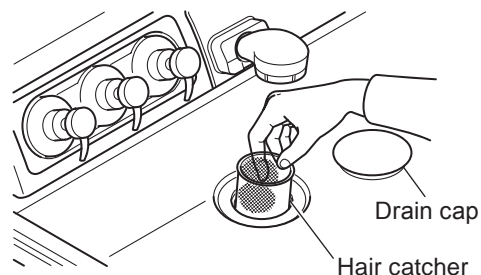
- Don't use a wire wool or sandpaper or metallic scourer. Failure to follow this instruction may cause scratches.
- If there are some damages or cracks, stop using it immediately.

## ■Hair catcher.

Hair catcher is for preventing from flowing any hair and dirty into drain pipe during shampoo. You need to clean it regularly.

### <How to care>

- 1 Pull the basin open.
- 2 Pull out the drain cap.
- 3 Pull out the hair catcher and then clean and remove any hairs and dirty.



## ⚠ Caution

- Clean the hair catcher as regularly as possible. Continuing to use the hair catcher without cleaning may cause the drain to be clogged with hair, leading to water overflowing and unhygienic conditions. Clean the hair catcher after each shampoo.
- The hair catcher is a consumable supply. Replace it if it is extremely dirty or the surface has deteriorated. (available at an additional cost)



## ■Basin box, Counter, Maintenance door, Side unit

< How to care >

1. Wipe off them with a soft or dry cloth.
2. If they are extremely dirty, wipe with a 10% detergent solution diluted with the water.



### Caution

- Don't use a wire wool or sandpaper or metallic scourer.
- Wipe off the water if water on them.  
Leaving water for along time get them discolored or altered.

## ■Inner panel drain outlet

The inner panel has a drain to drain water from the panel. Clean it up regularly because the water from the basin or any hairs and dirt during shampoo stay in the inner panel.

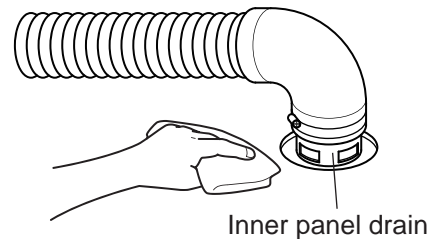
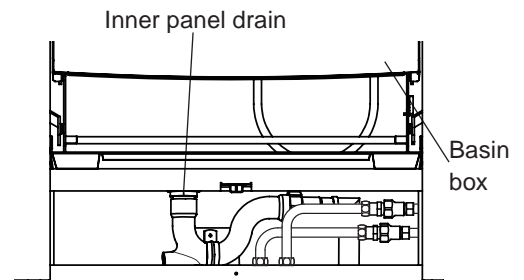
< How to care >

- 1 Open the basin box and check the inner panel drain at the back of the rubber under the basin.
- 2 Clean them up around the inner panel drain with cloth. Remove any hairs.



### Caution

Take care not to get any hairs flow into drainage, It may cause the drain to be clogged.

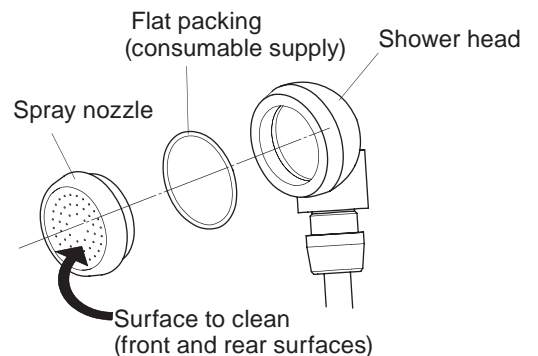


## ■Shower head

When you keep using the shower head, any dirt or a water scale may be left inside. So you need to clean them regularly. When you notice that the water flow is not enough, clean it as well.

< How to care >

- 1 Rotate and remove the spray nozzle and remove the two parts (spray nozzle, flat packing).
- 2 Clean (wash) the spray nozzle.  
Use an item such as a toothbrush to remove any dirt such as a water scale within the holes where the water is output from the spray nozzle.
- 3 Reassemble the shower head.  
(Take care not to forget attaching the flat packing.)

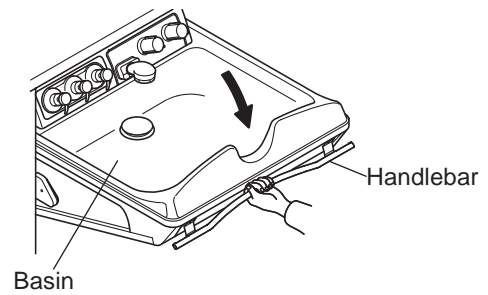


### Caution

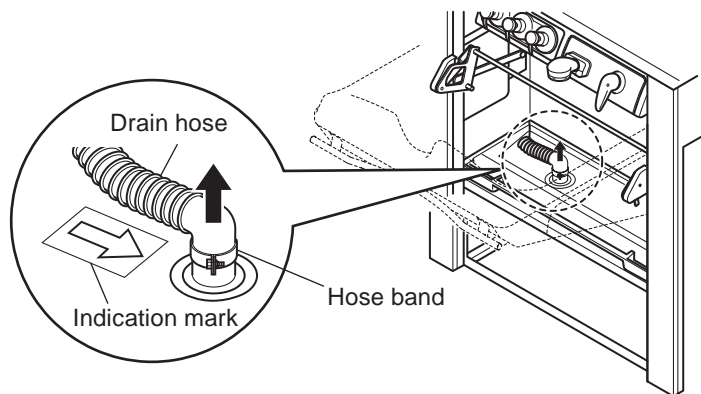
Do not use a metallic scourer, Failure to follow this instruction may cause scratched or damaged.

## ■ Around basin

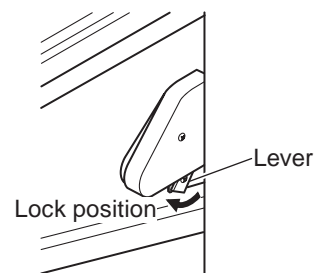
1 Open the basin and the maintenance door.



2 Loosen the hose band and remove the drain hose.



3 Pull the lever forward.  
Look position on the right side

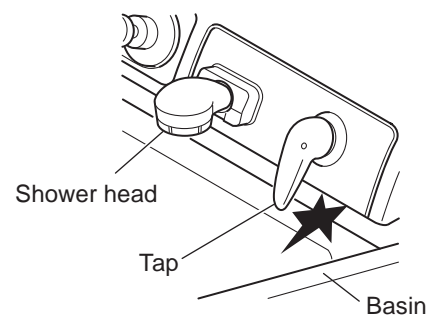


4 Hold both ends of the basin. Lift the front side of the basin slightly and pull it out.



### ⚠ Caution

[single tap type]  
When you pull the basin open, be careful of getting the tap caught. The water flows from the shower head and the water is splashed and dropped onto the floor.

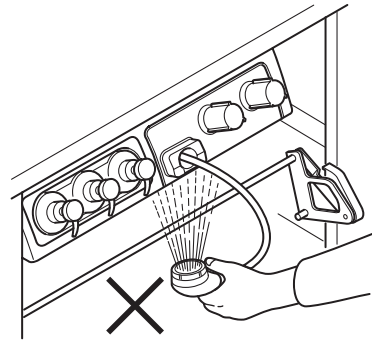


5 Clean the inside.

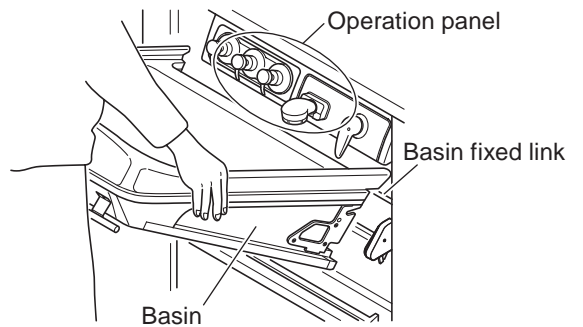


**Caution**

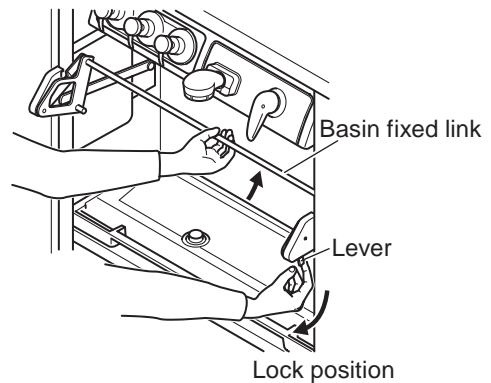
Don't splash the water for the back of operation panel and scrub sealing forcedly.



6 Hold both ends of the basin and lift the front side of the basin slightly. Then place the edge of basin on the basin fixed link again.



\* When the lever is set in the free position, lift the basin fixed link and turn the lever to the lock position.

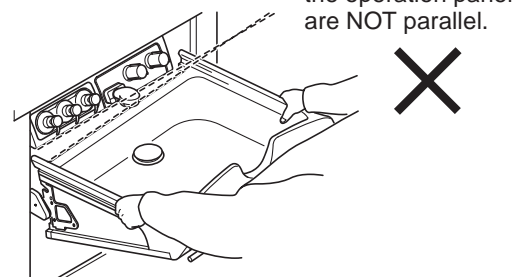
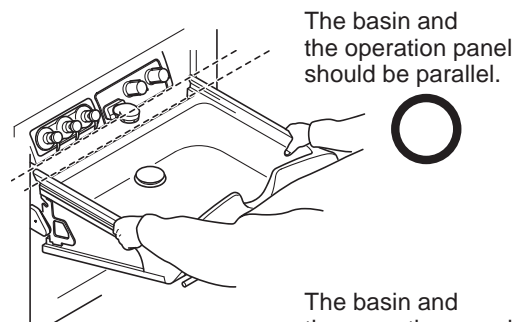


7 Insert the basin straight into the basin body parallel, with keeping the clearance between the basin and the operation panel.



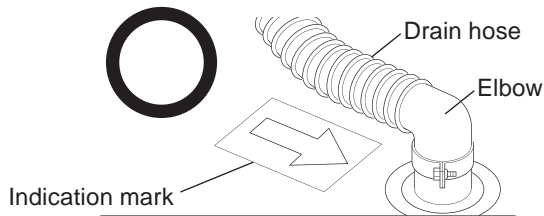
**Caution**

If the basin is not parallel, it may cause damage and you can't attach it with basin body.

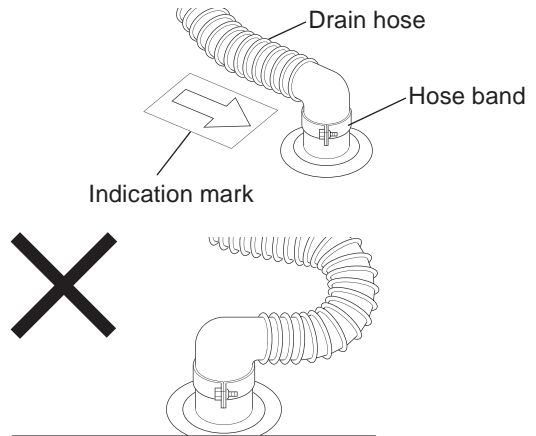


8 Attach the drain hose.

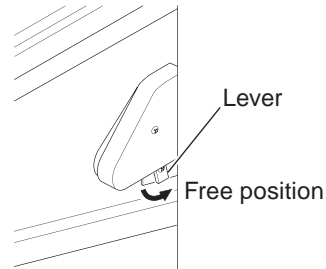
\*Set the drain hose by indication mark.  
Then tighten the hose band.



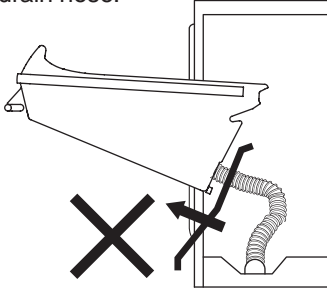
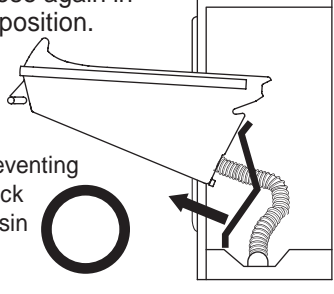
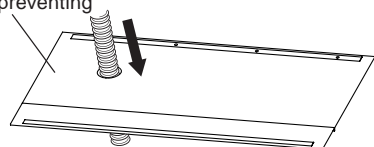
Set the drain hose as the picture above  
by the indication mark.



9 Pull the lever toward free position on the right side.



10 Check that can pull the basin open and close smoothly.

Inspection	Causes	Solution
<ul style="list-style-type: none"> <li>Can pull the basin open and close smoothly.</li> <li>The basin doesn't hit the counter.</li> <li>Can pull the basin close completely.</li> </ul>	<ul style="list-style-type: none"> <li>The drain hose hits the basin.</li> <li>The direction of the elbow with drain hose is not appropriate.</li> </ul>	<p>Pull the basin out and attach the drain hose again in proper position.</p>
<ul style="list-style-type: none"> <li>Water preventing plate doesn't appear outside.</li> </ul>	<ul style="list-style-type: none"> <li>Water preventing board is displaced to the basin side against the drain hose.</li> </ul>  <p>The water preventing board is displaced to the front</p>	<p>Get the water preventing board back to the basin back side and attach the drain hose again in proper position.</p>  <p>Get the water preventing board back to the basin back.</p> <div data-bbox="973 1736 1428 2027"> <p><b>Caution</b> Water preventing board often catch the drain hose. Push the drain hose and get it back.</p>  </div>

## Daily Inspections

- To ensure that this product can be used for a long period of time, follow the procedures outlined in "Procedures for Daily Inspections" on page 24 to 25 of this instruction manual.



Always inspect this product following the procedures outlined in "Procedures for Daily Inspections". Continuing to use this product without performing the daily inspections may cause malfunctions or accidents.

## Parts Replaced on a Regular Basis

The following are parts that must be replaced on a regular basis as designated by Takara Belmont:

Drain hose: Replace every 3 years

- For the drain hose, there is a possibility that water leaks will occur because cracks are caused due to deterioration and hardening of the hose from chemical agents in the drain water.
- Damage to the hose may result in water flooding on or beneath the floor.

Check valve: Replace every 3 years

- When the check valve is used continuously for long periods of time, there is a possibility that the parts in the valve will deteriorate resulting in no water discharging, or sometimes, the sewage water once discharged from the water faucet will flow back, thus causing contamination of city water or public health problems.
- When the check valve fails, there is a risk that water will flow back into the water supply.

The above-listed parts must be replaced on a regular basis to ensure and maintain safety and performance. Any part that is outside the designated replacement period must be replaced even if there is no problem during use. (The parts are available at additional cost.)

For ordering replacement work, contact your closest dealer.

## Standard Duration of Use

The standard period of use of this product is seven years.

The standard period of use is "a guide for the standard period that this product can be used properly from a safety perspective, when conducting appropriate maintenance and inspections (including replacement of parts) for the standard usage conditions for each product.

This is not the same as the warranty period.

## Consumable Supplies

The following parts are "consumable supplies" and wear, degradation, changes in external appearance and damage are expected.

Please note that repair or replacement of these parts is not covered by warranty, and a fee will be required.

(\* The level and period of wear, degradation or damage may differ depending on the environment and conditions that the customer uses this product in.)

Inspections or replacement of parts will be required if there is extensive wear, degradation or damage.

### Consumable Parts

(The following parts are not covered by the warranty; the cost of replacement is your responsibility.)

- Hair catcher
- Various rubber packing
- Shower hose
- Shampoo bottle
- Lubricant (oil,grease,etc)

External scratches or dirt, degradation or fading of the following parts external are not covered by the warranty.

- Basin box
- Handlebar
- Basin
- Inner panel
- Operation panel
- Counter
- Maintenance door
- Wood parts
- Door, drawers
- Platform
- Other (such as the tap, shower head, shower head holder, knob, drain parts, waterpreventing rubber, etc.)

## Before Requesting Repairs

If the following problems arise, conduct the checks outlined before requesting repairs.

Symptom	Check this	Solution
• There is no hot water	→ Are the water stop valves in the pipe open?	Open the water stop valve
• There is a noise when the hot water is turned on.	→ Does the noise change if the taps are turned to adjust the volume of water?	Adjust the volume of water. (See page 11)
	→ Is the set up temperature of the water boiler appropriate?	Adjust the set up temperature of the water boiler to an appropriate temperature.
• Temperature of hot water is low.	→ <Single tap type> Is the temperature set up with the tap appropriate? <Double tap type> Is the temperature set up with the temperature control knob?	Adjust the set up temperature to an appropriate level using the tap. (see page 12) Adjust the set up temperature to an appropriate level using the temperature control knob. (see page 13)
• The water doesn't drain well.	→ Is hair blocked in the hair catcher?	Remove the hair trapped in the hair catcher. (see page 15)
	→ Is the water left in inner panel?	Drain the water and remove any dust. (see page 16)
• Smell spoiled.	→ Is there dirt on the basin, the inner of the botl folder and inner panel?	Cleaning the dirty part.

If the product does not operate properly after checking and repairing the above points, stop using the product immediately.

## Disposing of This Product

When disposing of this product or replaced parts, adhere with current regulations and dispose of them appropriately.

## After-sales Service

To request after-sales service, contact your closest dealer or Takara Belmont directly.

# Specifications

Product	Basin body(Single tap type)	P1-CU*	
	Basin body(Double tap type)	PT-CU*	
	Side unit	AY-W055R*	
		AY-W064R*	
AY-W067R*			
Outside Dimensions	See the "Product Dimensions" on page 23.		
Neck height	770 mm		
Mixing method	Single tap type / Thermostat type		
Output method /output volume (with hot water pressure /water pressure:0.1 MPa, each)	Shower outlet : 8 L/min		
Stop valve	Single valve (with tap)		
Usage environment	Operating temperature: 10~40°C		
	Operating humidity: 95% or less (ensure no condensation)		
※Hot-water supply temperature	Less 80 °C below		
Weight	Basin body	42.0kg	
	-----		
	Side unit	Left side unit/Right side unit /Center unit, S size	16.0kg
		Center unit, L size	18.0kg
Center unit, LL size		21.0kg	

※The dimensions listed above may vary slightly from product to product.

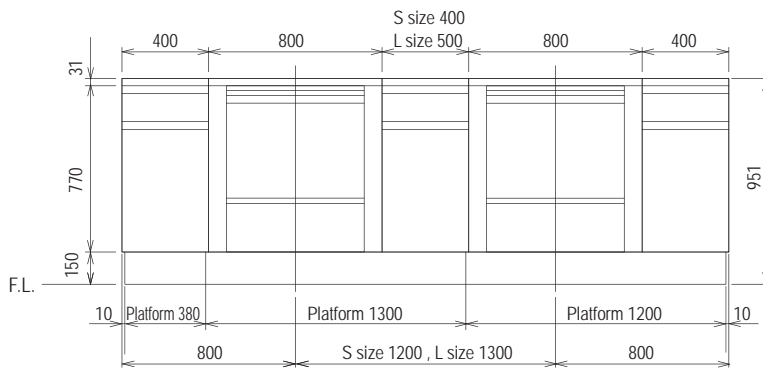


# Dimensions

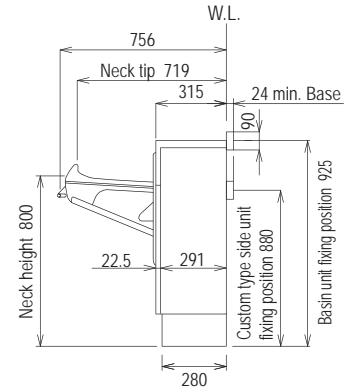
◇ For the platform size 150 , European standard size.  
Appearance Dimensions (Unit:mm)

Custom type S size , L size

## ■Front view

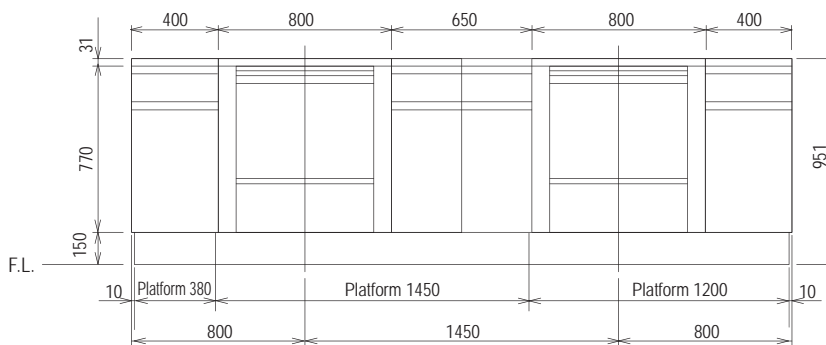


## ■Side view

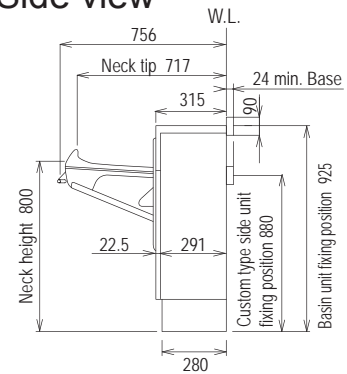


Custom type LL size

## ■Front view



## ■Side view



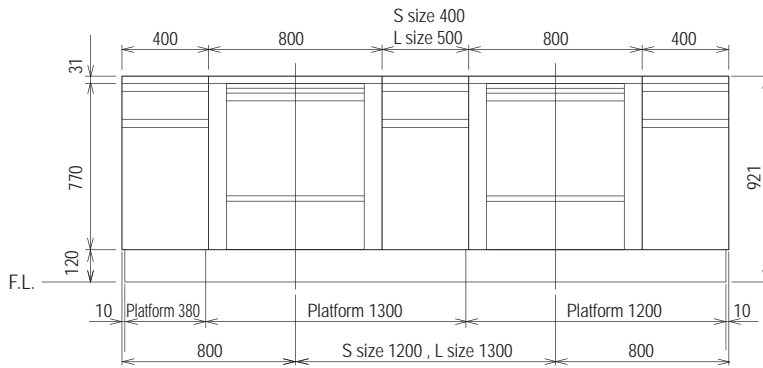
If you are unsure of which dimensions apply , please contact your nearest Takara Belmont office or dealer.

# Dimensions

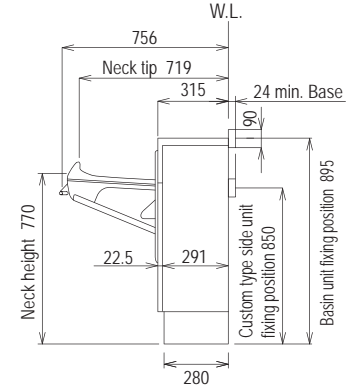
◇ For the platform size 120  
Appearance Dimensions (Unit:mm)

Custom type S size , L size

## ■Front view

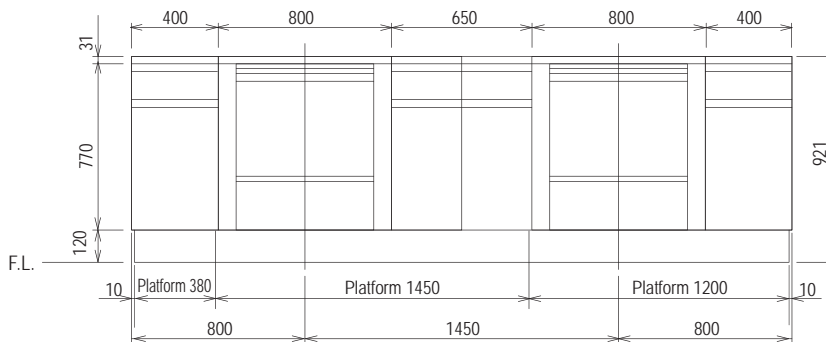


## ■Side view

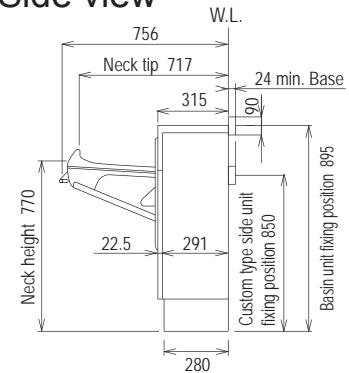


Custom type LL size

## ■Front view



## ■Side view



If you are unsure of which dimensions apply , please contact your nearest Takara Belmont office or dealer.

# Procedures for Daily Inspections

To ensure that this product can be used for a long period of time, conduct the inspections below.

## ■ Inspect the product every day

Inspection item	Inspection method	If the inspection results show defects
<input type="checkbox"/> Can you pull the basin open and close smoothly	<input type="checkbox"/> When you pull the basin open and close, be sure not to be holded or strange noise.  <input type="checkbox"/> Check that the there is no obstacles between the back or side of the basin box and basin body.	<input type="checkbox"/> It may cause malfunctions or deformed or damaged owing to opening and closing defect . If you don't find defect in the back or side of the basin box, stop using the product.  <input type="checkbox"/> It may cause deformed or damage the basin box and the basin body. Remove obstacles and check whether pulling the basin box open and close smoothly.
<input type="checkbox"/> Is there any water on the basin body	<input type="checkbox"/> Check that there is no any water except the basin and the inner of the basin body.	<input type="checkbox"/> It may cause the product to damage and a stain may not quite come off. Wipe off the water immediately except the basin and the inner of the basin body.
<input type="checkbox"/> Is there any water leakage from the basin installation surface?	<input type="checkbox"/> Visually check it around the platform installation surface below the basin to see if there is any water leakage.  <input type="checkbox"/> Take the maintenance door off and check that there is no water leak inside the platform.	<input type="checkbox"/> The water may leak from inside the basin. Open the maintenance door and check inside, and stop using the product immediately if there is water leakage.
<input type="checkbox"/> Is there strange smell from the inside of the basin.	<input type="checkbox"/> Pull the basin box open and check that there is no strange smell from the drainage.	<input type="checkbox"/> There may be obstacles or dirty on the surface of the inner panel and drainage in the inner panel. Check and clean them. (see page 15)  <input type="checkbox"/> There may be obstacles or dirty in the hair catcher. Open the maintenance door off and check it. If there is obstacles or dirty, clean them. (see page 16)
<input type="checkbox"/> Does the tap work properly.	<input type="checkbox"/> Turn on and off the tap (in the case of double tap type, turn it), check it hot water is output properly and there is no strange noise. *An strange gushing sound may be emitted as water flows)  <input type="checkbox"/> Turn the tap (in the case of double tap type, temperature control knob) and check if hot water is output properly and that there is no strange noise. *An strange gushing sound may be emitted as water flows)	<input type="checkbox"/> If there is strange noise or the water does not turn off properly when turn off the tap completely, there may be malfunctions in the water regulator.  <input type="checkbox"/> If you can't adjust temperature properly or there is strange sound, there may be a malfunctions of the temperature control knob.
<input type="checkbox"/> Is water output from the shower head properly?	<input type="checkbox"/> Turn the water on and check it visually that the water is output from the shower head properly, that there are no water leakage from the water outlet or base of the shower head and that the hot water is not tainted.	<input type="checkbox"/> If there is water leakage from the water outlet or base of the shower head, the internal packing may be worn and replacement is necessary. (see page 15)  <input type="checkbox"/> If hot water is not output properly or is cloudy, the check valve strainers may be dirty. Clean the check valve strainers. (see page 26,27)  <input type="checkbox"/> If the water sprays in random directions from several holes, the spray nozzle may be blocked with the water scale or dirty. Remove the spray nozzle and clean them. (see page 25)

# Procedures for Daily Inspections

To ensure that this product can be used for a long period of time, conduct the inspections below.

## ■ Inspect the product every day

Inspection item	Inspection method	If the inspection results show defects
<input type="checkbox"/> Can you pull the basin open and close smoothly	<input type="checkbox"/> When you pull the basin open and close, be sure not to be holded or strange noise.  <input type="checkbox"/> Check that the there is no obstacles between the back or side of the basin box and basin body.	<input type="checkbox"/> It may cause malfunctions or deformed or damaged owing to opening and closing defect . If you don't find defect in the back or side of the basin box, stop using the product.  <input type="checkbox"/> It may cause deformed or damage the basin box and the basin body. Remove obstacles and check whether pulling the basin box open and close smoothly.
<input type="checkbox"/> Is there any water on the basin body	<input type="checkbox"/> Check that there is no any water except the basin and the inner of the basin body.	<input type="checkbox"/> It may cause the product to damage and a stain may not quite come off. Wipe off the water immediately except the basin and the inner of the basin body.
<input type="checkbox"/> Is there any water leakage from the basin installation surface?	<input type="checkbox"/> Visually check it around the platform installation surface below the basin to see if there is any water leakage.  <input type="checkbox"/> Take the maintenance door off and check that there is no water leak inside the platform.	<input type="checkbox"/> The water may leak from inside the basin. Open the maintenance door and check inside, and stop using the product immediately if there is water leakage.
<input type="checkbox"/> Is there strange smell from the inside of the basin.	<input type="checkbox"/> Pull the basin box open and check that there is no strange smell from the drainage.	<input type="checkbox"/> There may be obstacles or dirty on the surface of the inner panel and drainage in the inner panel. Check and clean them. (see page 15)  <input type="checkbox"/> There may be obstacles or dirty in the hair catcher. Open the maintenance door off and check it. If there is obstacles or dirty, clean them. (see page 16)
<input type="checkbox"/> Does the tap work properly.	<input type="checkbox"/> Turn on and off the tap (in the case of double tap type, turn it), check it hot water is output properly and there is no strange noise. *An strange gushing sound may be emitted as water flows)  <input type="checkbox"/> Turn the tap (in the case of double tap type, temperature control knob) and check if hot water is output properly and that there is no strange noise. *An strange gushing sound may be emitted as water flows)	<input type="checkbox"/> If there is strange noise or the water does not turn off properly when turn off the tap completely, there may be malfunctions in the water regulator.  <input type="checkbox"/> If you can't adjust temperature properly or there is strange sound, there may be a malfunctions of the temperature control knob.
<input type="checkbox"/> Is water output from the shower head properly?	<input type="checkbox"/> Turn the water on and check it visually that the water is output from the shower head properly, that there are no water leakage from the water outlet or base of the shower head and that the hot water is not tainted.	<input type="checkbox"/> If there is water leakage from the water outlet or base of the shower head, the internal packing may be worn and replacement is necessary. (see page 15)  <input type="checkbox"/> If hot water is not output properly or is cloudy, the check valve strainers may be dirty. Clean the check valve strainers. (see page 26,27)  <input type="checkbox"/> If the water sprays in random directions from several holes, the spray nozzle may be blocked with the water scale or dirty. Remove the spray nozzle and clean them. (see page 25)

# MEMO

Inspection item	Inspection method	If the inspection results show defects
<input type="checkbox"/> Does the basin rattle?  <input type="checkbox"/> Is there peeling plate on the tap or temperature control knob?	<input type="checkbox"/> Slowly push the front end of the basin, in each direction and check whether they rattle.  <input type="checkbox"/> Check that there are no scratch, cracks, or peeling on the plated surface of the tap and the knobs.  <input type="checkbox"/> Check that there is no holded or uncomfortable feeling when you use and clean them.	<input type="checkbox"/> Rattle may cause incorrect operation or damage of the main body, or cause it to fall over. Stop using the product.  <input type="checkbox"/> It may cause injured. It is necessary to change them.

**■ Always inspect the product after work every day**

Inspection item	Inspection method	If the inspection results show defects
<input type="checkbox"/> Is the drain blocked?  <input type="checkbox"/> Has the tap been turned firmly?  <input type="checkbox"/> Is there any water leakage inside the basin body.	<input type="checkbox"/> Check that the drain is not blocked with the drain cap, towel or shampoo cloth.  <input type="checkbox"/> Turn the tap off completely (In the case of double tap type, in a clockwise direction )and check that the water turns off properly.  <input type="checkbox"/> Take the basin box and the maintenance door off and check that there is the water on the inner panel in the basin body or inside of maintenance door.	<input type="checkbox"/> Remove the objects that block the drain. If the drain is blocked, the water is turned on accidentally or a slight trickle of the water due to an increase in water pressure at night may cause the water to spill from the basin, leading to water leakage.  <input type="checkbox"/> Turn the tap off completely (In the case of double tap type, in a clockwise direction ) and turn the water off properly. If the water does not turn off completely, there may be a malfunctions in the water regulator. Close the stop valves in the water supply and hot water supply (see page 26,27), and stop using the product immediately.  <input type="checkbox"/> Wipe off the water. Leaving it as it is may cause rotted and strange smell.

**■ Inspect the product once per week**

Inspection item	Inspection method	If the inspection results show defects
<input type="checkbox"/> Is there any water leakage inside the basin body.  <input type="checkbox"/> Is there any water scale or dirt blocking the spray nozzle?  <input type="checkbox"/> Is there are any water scale or dirt blocking the spray nozzle?	<input type="checkbox"/> Take the maintenance door off and check that there is no water leakage from the pipes and the water regulator.  <input type="checkbox"/> Remove the spray nozzle from the shower head and check that there is no water scale or dirt on it (see page 25).  <input type="checkbox"/> Remove the spray nozzle from the shower head and check that there is no water scale or dirt on it (see page 25).	<input type="checkbox"/> If there is the water leakage from the pipes, pipes and packing may be worn away or depleted or damaged. Stop using product immediately.  <input type="checkbox"/> Use an item such as a toothbrush to remove any dirt such as water scale and clean the spray nozzle. Leaving the spray nozzle uncleaned will lead to blockage and water may not be output from the shower head properly.  <input type="checkbox"/> Use an item such as a toothbrush to remove any dirt such as water scale and clean the spray nozzle. Leaving the spray nozzle uncleaned will lead to blockage, and the water may not be output from the shower head properly.

# MEMO



**MEMO**



**TAKARA BELMONT CORPORATION**

1-1, 2-Chome, Higashi-shinsaibashi, Chuo-ku, Osaka, Japan

TEL : (06) 6212-3523

FAX : (06) 6211-5745

Printed in Japan

1E02KHB0