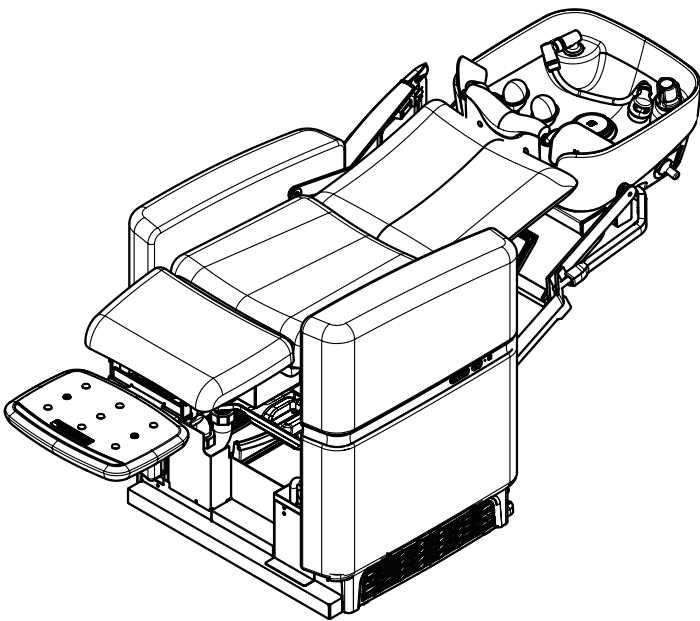


# THE ONE Installation Instructions

## Table of Contents

Before Installation	2
Usage Conditions	5
Package Contents of Equipment	6
Carrying in the Equipment	8
Installing the Equipment	10
1. Installing the Equipment Main Unit	11
2. Plumbing	19
3. Water Flow Testing	22
4. Installing the Front Cover	26
5. Installing the Footrest	28
6. Installing the Bottom Side Covers and the Base Tray	29
7. Installing the Lumbar Cushion	30
8. Checking the Operation	31
After Installation	33
Installing the Neck Cushion	34
Installing the Head Cushions	34
Installing the Hair Catcher and Drain Cap	35
Product Dimensional Drawings	36
Product Fastening Location Diagram	37
Contacts	40



(The figure shows AY-ONPM\*.)

### To installers

- Please read the INSTALLATION INSTRUCTIONS carefully before installation and install the product correctly.
- After installation is complete, please give these INSTRUCTIONS to the customer.

### To customers

- Please ask a professional or Takara Belmont to install the product.
- Never attempt to install the product by yourself.
- Please keep these INSTRUCTIONS in a safe place so as not to lose them.

\* The actual product appearance and the images and dimensions given here are subject to change for improvement purposes without notice.

- The precautions listed here are intended for the safe installation of the product and to prevent hazards and possible harm or damage to installers and other people. All of these precautions contain important safety information. If an accident occurs due to failure to follow them, Takara Belmont is not liable for any harm or damage to the installers or other people.

### CAUTION

The items explained under this symbol are precautions which if not followed may result in mild or moderate injury or property damage from the incorrect handling of the product.

Version 2 2024.12

1E0AKFA0(Inquiry No.)

# Before Installation

## ■ About the power supply

Electric wiring must be carried out by a legally qualified electrician or designated contractor in accordance with the relevant laws and regulations.

To turn the power on, be sure to install a plug that is compatible with the product.

When the plug is changed due to a reason related to the customer, install a power plug that is suitable for the product.

[Rated current]	[Rated frequency]	[Rated electricity consumption]
110V Specifications	50/60Hz	4.5/3.2A
120V Specifications	50/60Hz	5.8/3.7A
220V Specifications	50/60Hz	1.8A
230V Specifications	50/60Hz	2.0/1.9A
240V Specifications	50/60Hz	2.2/1.9A

- Plug this product into its own dedicated outlet.  
Avoid the use of a power strip. A power strip may overheat and catch fire.
- Make sure to have a breaker and fuse prepared for each outlet.
- Deploy the power cord 200 mm from the floor surface.

Perform appropriate damp-proof treatment (e.g., measures against condensation) to prevent ingress of humidity into the product from below the floor.  
Inadequate damp-proof treatment may result in electrical leakage and generation of rust on metal parts inside due to condensation.

## ■ About earthing

Make sure to provide a dedicated earth for this product to prevent electric shock accidents and to improve the noise resistance of the control circuits.

### ● Implement Class D earthing or higher.

It is legally required to implement Class D earthing or higher for electrical equipment.

Make sure to implement Class D earthing. Make sure to have earthing implemented by a certified electrician.

### ● Do not connect the earth wire to any of the following items:

- Water pipe: If the pipe has a PVC section, the product will not be earthed.
- Gas pipe: There is a risk of explosion or fire.
- Telephone wire or lightning rod: If lightning strikes, there is danger of a large current flow.

## CAUTION

### Handling of the power plug

Check that there is no dust on the power plug, and make sure to insert the pins all the way in to ensure that the plug does not wobble. Dust or loose connection may result in electric shock or fire.

### Handling of the power cord

Do not apply excessive force to the power cord or modify, twist, or bend the cord.

Do not place the power cord under a heavy object or pinch it. It may be damaged, causing electric shock or fire.

### Use of an outlet

Plug this product into its own dedicated outlet. Make sure to use an outlet with an earth terminal.

Avoid the use of a power strip. Otherwise, the power strip may overheat and catch fire.

### Handling circuit breakers and fuses

Always install a circuit breaker and fuse with the power outlet. Check that the white cable is neutral, and that the circuit breaker and fuse are connected properly to the neutral side of the power outlet. Installing circuit breakers off users incorrectly can cause electrocution.

### Unplugging the product before inspection

Before inspection or adjustments inside the product, disconnect the power plug. Touching live electrical components etc. may result in electric shock.

## ■ About the floor surface

- Make sure the floor materials and floor finishing materials are waterproof or waterproof-coated.
- The floor surface must be level (at a slope of less than 6/1000).
- Make sure the floor surface is smooth and free of bumps in the installation area.
- About installed plumbing

#### [Plumbing specifications]

Hot and cold water supply	R c 1/2" 13 mm
Drainage	V U 4 0/V P 4 0(*1)

#### [Vertical length]

Hot and cold water supply	5 0 mm
Drainage	5 0 mm(*2)

- \*1 VP40(Nominal diameter 40, Outer diameter 48 mm, Inner diameter 40 mm)  
VU40(Nominal diameter 40, Outer diameter 48 mm, Inner diameter 44.4 mm)

- \*2 The stand-up dimensions of installed pipings can be adjusted during the construction process [see page 21].

- If the floor is tiled or finished with similar materials, cracks may occur when the product is bolted for installation.

In this case, replace the floor finishing material of the areas that will come in contact with the product with plywood, mortar, etc., using the Product Fastening Location Diagram [p.37] and the template distributed to the respective sales offices.

- The floor surface must have the following strength:

Wooden floor	Plywood at least 30 mm thick (two or more layers of 15 mm thick boards)
Mortar floor	Mortar at least 50 mm thick
Floor made of special materials (e.g., stone)	A base with the above strength must be placed in the installation location.

## ■ About measures against water leakage

- If the product is installed on an upper floor, be sure to take waterproofing measures (e.g., waterproofing work, installation of a stainless steel pan, or installation of water leak detectors).
- Make sure to fill any gap between the installed pipe and the opening for the installed pipe using a caulking material, etc.

## ■ About plumbing

The matters listed below are important information regarding plumbing. Please read this information carefully and perform plumbing correctly.

- When installing the product, perform plumbing in accordance with the 'Precautions for plumbing for barbershops and hairdressing salons' section of this document, as well as the Takara Group Water Supply and Drainage Equipment Construction Standards. Careless plumbing may result in poor mixing, and hot water may not be supplied at a consistent temperature.
- This product is for indoor use only. Be sure to install it indoors.

## ■ Precautions for plumbing

- Cold water (primary water supply) pipes
  - Municipal direct water supply pipes: Ask a contractor designated by the local waterworks bureau to perform plumbing in accordance with the local laws and regulations, including the local waterworks bureau's plumbing standards.
  - Others (e.g., downfeed water pipes from an elevated water tank): Perform plumbing in accordance with the local laws and regulations, including the local waterworks bureau's plumbing standards.
- For cold water supply, do not use pipes made of materials that may rust. As a general rule, use pipes made of vinyl or locally designated materials.
- For hot water supply, use Type L deoxidised copper pipes, as a general rule.
- As a general rule, the hot and cold water pipes should be of the same diameter and pressure.
- Be sure to deburr the cut ends of the pipes with a reamer.
- Avoid inverted U-shaped (siphon) plumbing. Air may become trapped.
- Before connecting the hot and cold water pipes, be sure to remove any dirt, sand, oil, and other debris from them. If left in the pipes, these contaminants may cause problems.
- After connecting the pipes and performing a hydrostatic test, clean the strainers and the shower head.
- If the drainage pipe is less than 75 mm in diameter, it must be installed at a slope of at least 1/50. If the pipe is 75 mm or more in diameter, it must be installed at a slope of at least 1/100.
- Do not reverse the hot and cold water pipes.  
Reverse plumbing may cause poor temperature control with faucet fittings and other problems such as the risk of burns.
- The hot water pipe from the water heater should be as short as possible to minimise resistance.  
If it is long, temperature fluctuation and poor hot water flow may result.
- After plumbing, be sure to wrap the pipes with insulation.
- About plumbing in a hot water boiler
  - As a general rule, the hot and cold water mains should be of the same diameter and pressure.
  - To install a hot water boiler, be sure to ask a professional to perform the work.

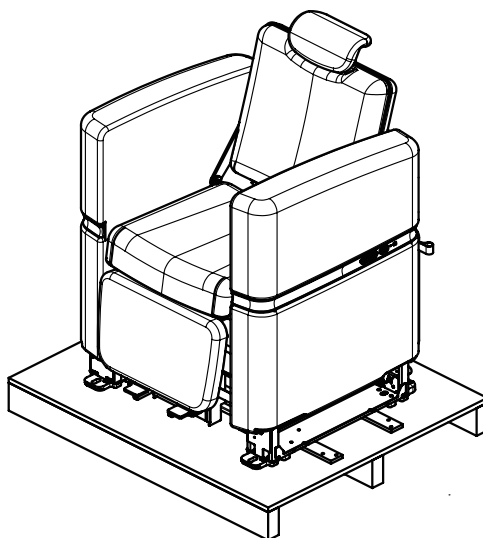
# Usage Conditions

## ■ Hot and cold water supply conditions

Water for use	<ul style="list-style-type: none"> <li>• Tap water (Non-drinkable well water or water that contains rust or sand must not be used.)</li> <li>• If the water has a hardness of 80 ppm or higher, it must be treated with a water softener to prevent the basin main unit from becoming clogged with scale. If drinkable well water is used, shampoo may not lather well, so the water should be treated with a water softener as well.</li> </ul>
Hot and cold water supply pressures	<ul style="list-style-type: none"> <li>• The pressures need to be in the range of 0.1 to 0.4 MPa (1 to 4 kgf/cm<sup>2</sup>). Also make sure they do not fall below 0.1 MPa (1 kgf/cm<sup>2</sup>), even when multiple units are used.</li> <li>• The cold water supply pressure should be greater than or equal to the hot water supply pressure.</li> <li>• The difference between the hot and cold water supply pressures needs to be within 0.2 MPa (2 kgf/cm<sup>2</sup>).</li> </ul>
Temperature of hot water supplied to the equipment	<ul style="list-style-type: none"> <li>• Set the hot water supply temperature at up to 80°C.</li> <li>• Set it at least 10°C higher than the shower temperature.</li> </ul>
Water heater	<ul style="list-style-type: none"> <li>• The recommended water heater is the DANRYU system, which is designed specifically for hair and beauty salons. If this system is used, see the work manual supplied with DANRYU for installation instructions.</li> <li>• If an instant water heater is used, make sure its capacity is at least 16 litres. (For washing hair, one instant water heater is necessary per unit of this product.)</li> <li>• If a boiler with a hot water tank is used, see the manual of the boiler.</li> <li>• Do not connect a steam generator to the hot water pipe. The pipe may be damaged if hot water (or steam) of a temperature higher than the above-mentioned hot water supply temperature is generated and flows into the pipe.</li> </ul>

# Package Contents of Equipment

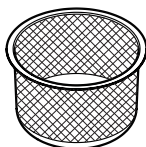
## ■ Product main unit



(The figure shows AY-ONPM\*.)

## ■ Accessories

Hair catcher...1



Drain cap  
(provided with  
a gasket)...1



Head Cushions...1 pair



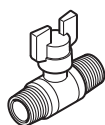
Neck Cushion  
(EX-ON)...1



Flexible pipe (long)...1  
(short)...1



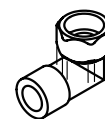
Water stop valve  
(for hot and cold  
water supply)...2



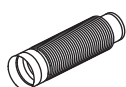
Rubber gasket...1



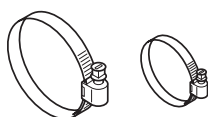
Elbow...1



Drain hose...1



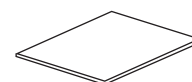
Drain hose clamp  
(large)...1  
(small)...1



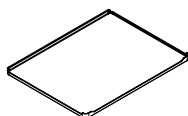
Drain hose gasket  
(large)...1  
(small)...1



Installed pipe gasket...1



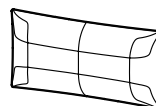
Base tray...1



Spacer...8



Lumbar cushion...1

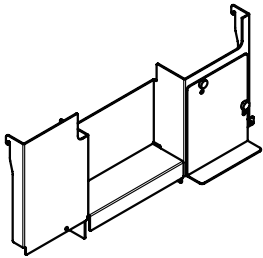


Bottom side cover...2

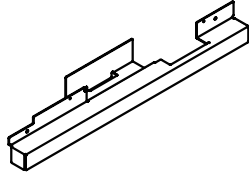


## ■ Accessories

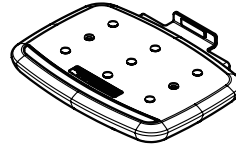
- Front cover (large) (provided with a maintenance cover)...1



- Front cover (small)...1



- Footrest...1



- Cable tie...2

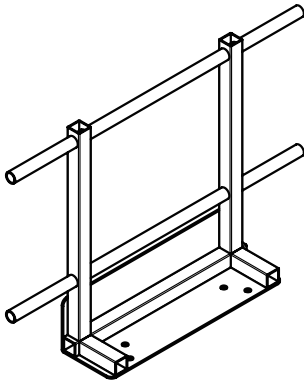


- A set of bolts and washers
  - Coach bolt 8 × 6 5 ... 4
  - Anchor bolt M 8 × 7 0 ... 4
  - Plain washer  $\varnothing$  2 4 × 1 . 5 ... 4
  - Truss screw M 4 × 8 ... 8

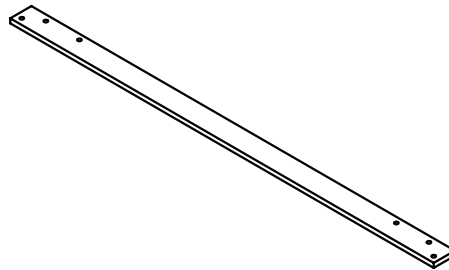
- Installation Instructions (this document)...1
- YUME SPA Technical Manual... 1
- Instructions For Use...1

## ■ Carrying items

- A set of Carrying handles
  - Carrying handle...2



- Carrying handle mounting plate...2

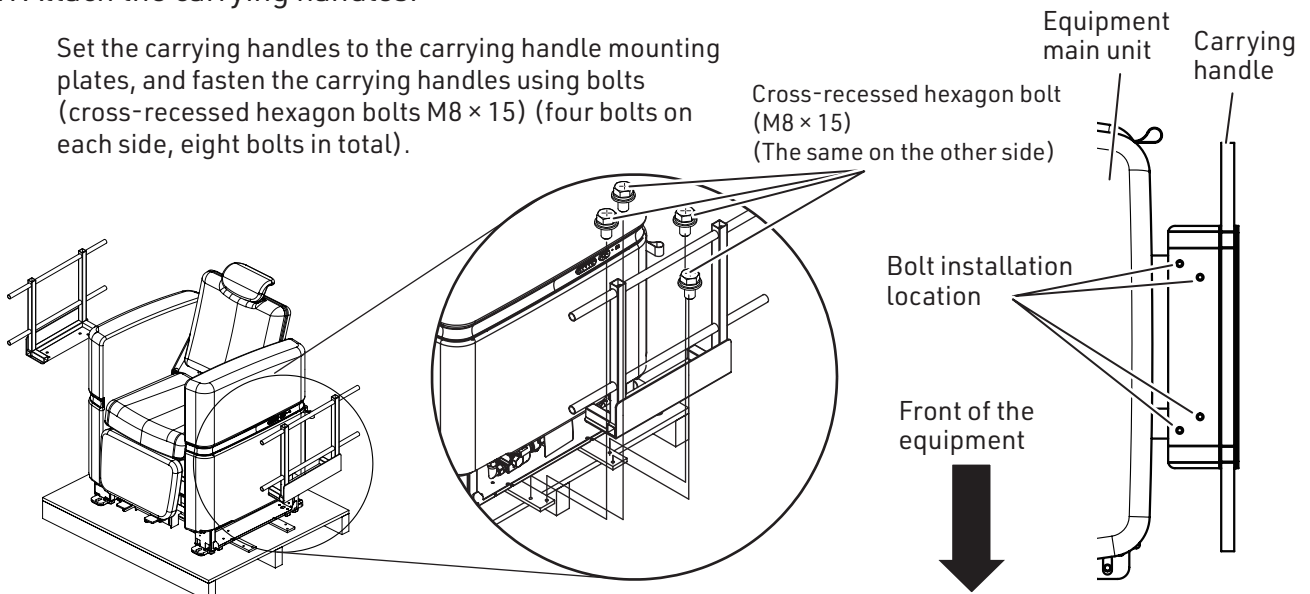


- Cross-recessed hexagon bolt M8 × 15...12

# Carrying in the Equipment

## 1. Attach the carrying handles.

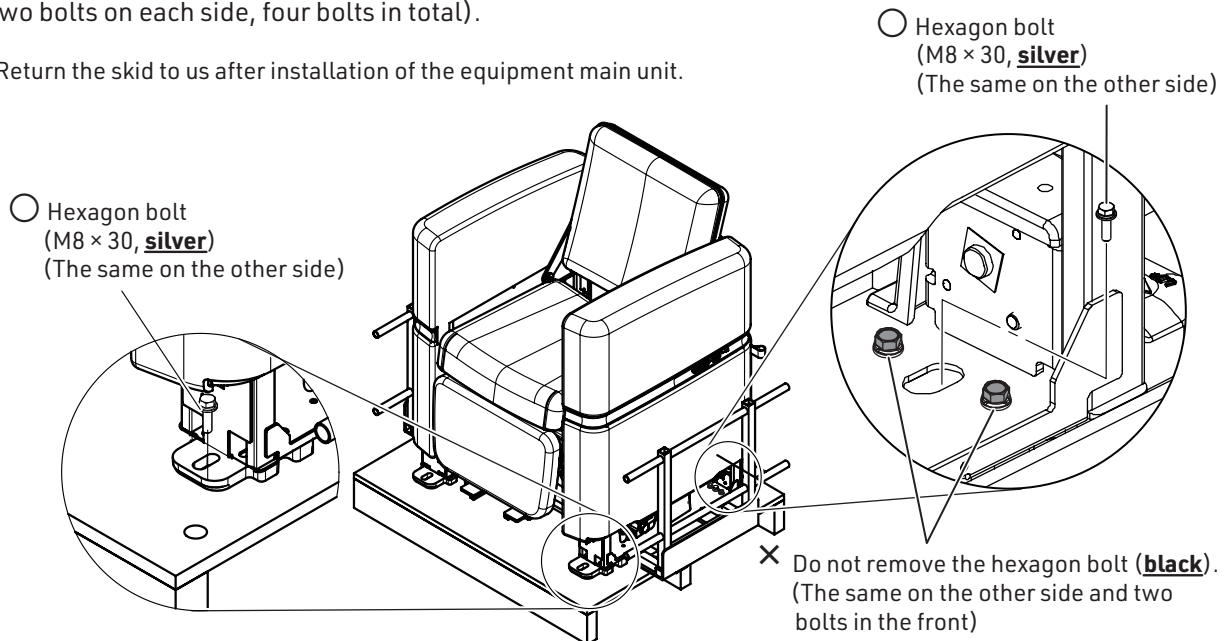
Set the carrying handles to the carrying handle mounting plates, and fasten the carrying handles using bolts (cross-recessed hexagon bolts  $M8 \times 15$ ) (four bolts on each side, eight bolts in total).



## 2. Unload the equipment main unit from the skid.

Check that the lifting handles are fastened properly. Remove the bolts (hexagon bolts,  $M8 \times 30$ , **silver**) at the base of the equipment main unit (two bolts on each side, four bolts in total).

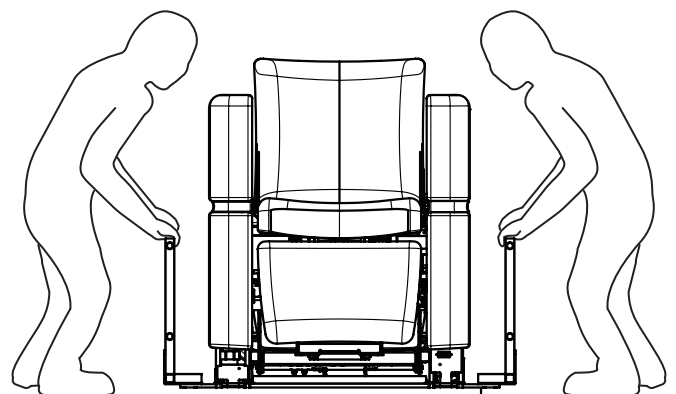
\* Return the skid to us after installation of the equipment main unit.



## 3. When carrying the equipment main unit

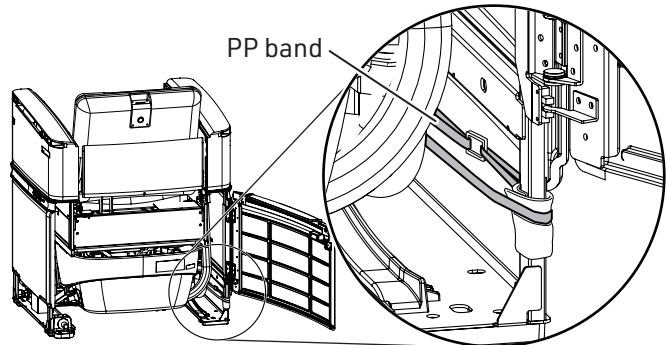
When carrying the equipment main unit, make sure that the lifting rods are held by two or more persons.

Do not hold the main unit frame, exterior parts, backrest, etc.



**⚠ CAUTION**

- Regarding the installation space, make sure to provide a space of at least 350 mm on the side from the end face of the main unit frame. If the space is less than 350 mm, the carrying handle mounting plates may not be pulled out when removing the carrying handles.
- When setting the carrying handle mounting plates, make sure the surface on which a slide tape is attached is facing the floor. Installation upside down by mistake may scratch the floor surface.
- Do not cut the polypropylene (PP) band, which fastens the basin, until the equipment main unit is fastened to the floor. Otherwise, it may become impossible to extend the basin, resulting in damage.



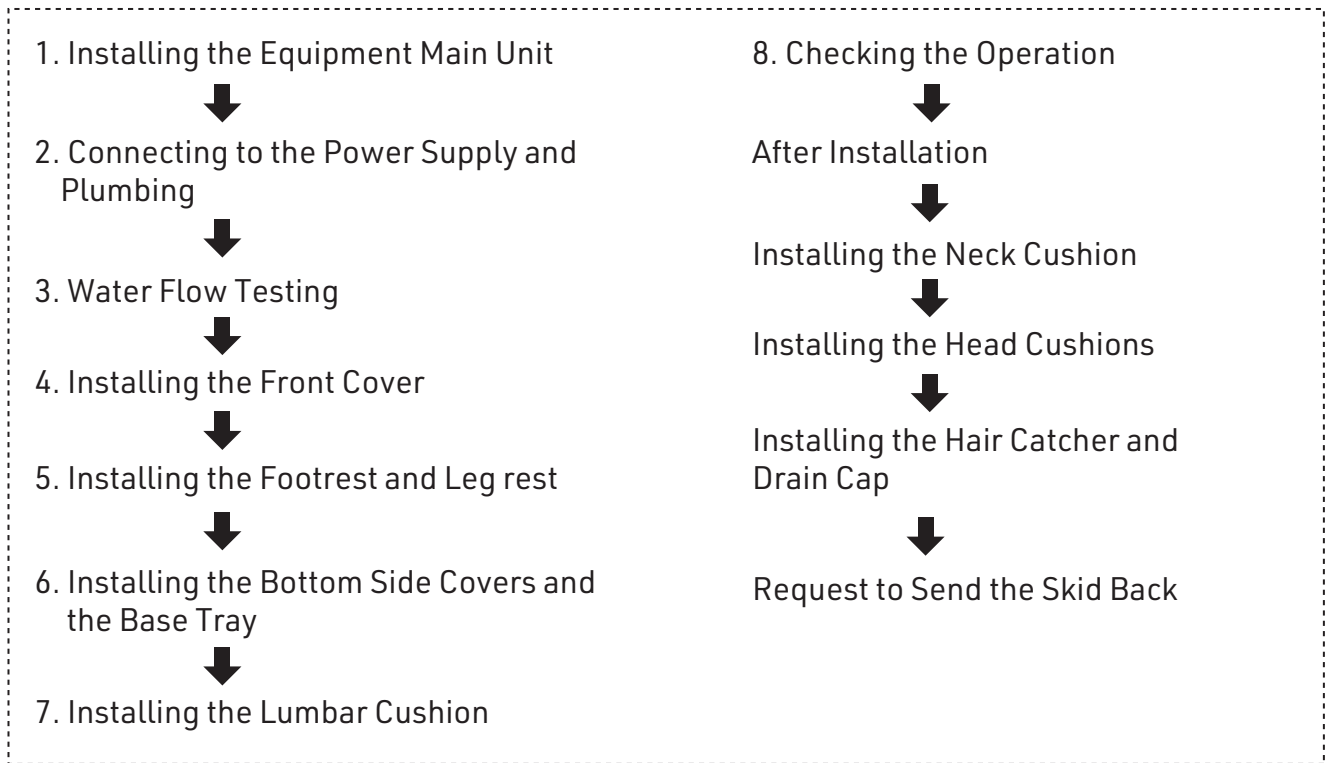
**⚠ CAUTION**

- This product weighs over 130 kg. Make sure to carry the product with at least two persons.
- Never hold the main unit frame, exterior parts, or backrest. Otherwise, the equipment main unit may be damaged.
- Do not drag the product by holding the carrying handles. Otherwise, the floor etc. may be scratched or the product may be damaged because the legs are made from metal.
- A metal object (e.g., a wristwatch, belt buckle) that rubs against the equipment main unit produces scratches on the product. When carrying the product, remove any metal objects, such as a wristwatch.
- When moving the product, take care not to scratch exterior parts, such as upholstered parts.
- Do not touch the plumbing of the equipment main unit. A water leak may result.

# Installing the Equipment

\* Be sure to install this product following the steps below.  
Otherwise, the equipment main unit may not be installed correctly.

## ■ Equipment installation steps



# 1 Installing the Equipment Main Unit

## 1. Drill holes at the locations to be bolted (anchored).

○ Before installation, make preparations by carefully checking the installed plumbing dimensions and method using the supplied template.

(1) On the floor, align the supplied template with the installed plumbing locations of the hot water, cold water, and drainage pipes. Fasten the template to the floor.

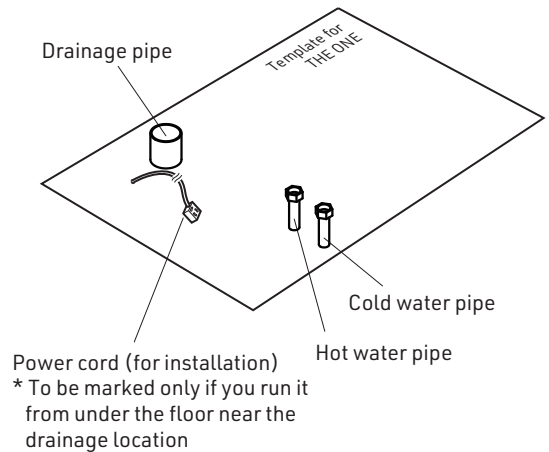
(2) Mark the template with the location where the equipment main unit is to be bolted (anchored).

(3) Drill holes at the locations to bolt (anchor) the equipment main unit.

(See Steps (1) and (2) of the 'Anchor bolt installation procedure'.)

(4) When anchor bolts are used to fasten the product main unit, drive the anchor bolts into the floor. (See Steps (3) and (4) of the 'Anchor bolt installation procedure'.)

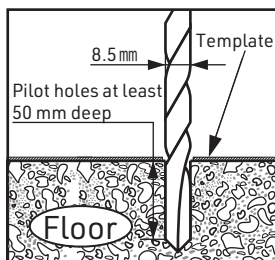
(The thread protrusion from the floor surface should be 25 to 28 mm.)



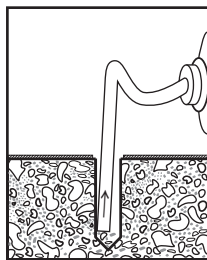
## ● Anchor bolt installation procedure

### ⚠ CAUTION

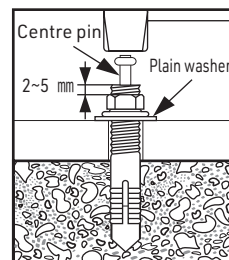
- When driving an anchor into a pilot hole, place it above the bottom of the hole. Otherwise, its strength will decrease.
- When installing each anchor bolt, make sure its threaded part extends 2-5 mm above the nut. If the part extends more than 5 mm above the nut, the bolt head may interfere with the cover.



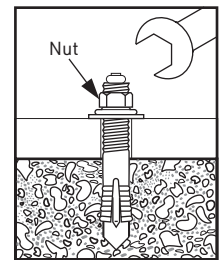
(1) Drill pilot holes to the specified diameter and depth.



(2) Vacuum the chips out of the holes using a dust collector or similar tool.



(3) Insert an anchor bolt, and hammer the centre pin until it is aligned with the top of the bolt.



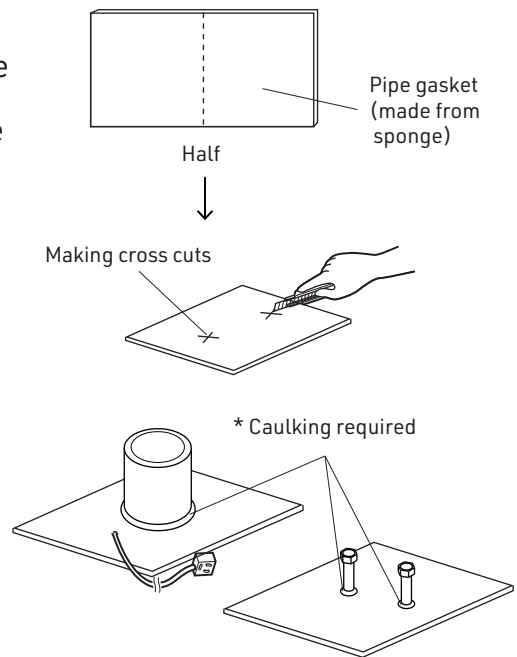
(4) Adjust the tightness of the nut using a wrench or similar tool.

## 2. Attach the pipe gasket.

- (1) Cut the pipe gasket in half.
- (2) Make cross cuts in the pipe gasket at the installed cold and hot water pipes and the installed drainage pipe.
- (3) Peel off the liner from the adhesive side of the pipe gasket, and adhere the gasket to the floor.
- (4) Round the cross cuts in the pipe gasket to fit the sides of the installed pipes. Then, caulk the gaps around the pipes.

### CAUTION

- In order to prevent condensation inside the main unit and also prevent water from getting under the floor in the event of a leak, be sure to attach the pipe gasket and be sure to fill in any gaps with caulking.
- Failure to attach the pipe gasket may cause condensation, resulting in water accumulation under the floor, or the deterioration or failure of structural components.
- If you run the power cord (for installation) from under the floor near the water supply and drainage locations, apply caulking as described above.



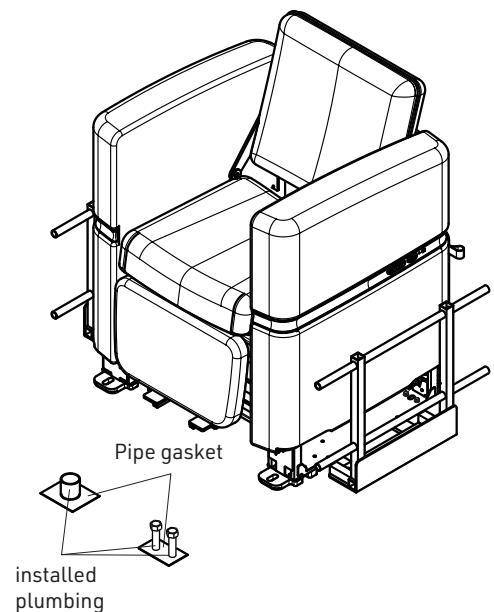
## 3. Install the equipment main unit.

〈When using coach bolts for fastening〉

- (1) Hold the carrying handles and install the equipment along the base shape of the template (**two locations in the rear of the product**, dashed lines). Here, the holes drilled in Step 1 do not match the hole positions of the base, but this does not affect the installation procedure.

### CAUTION

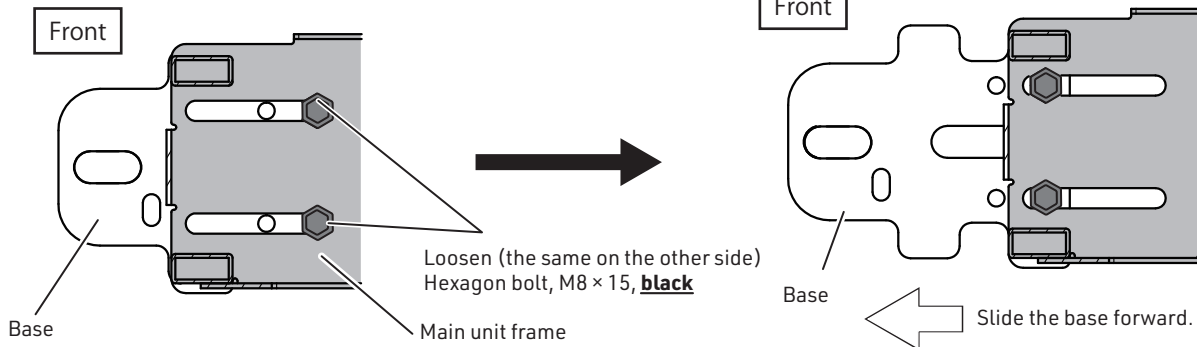
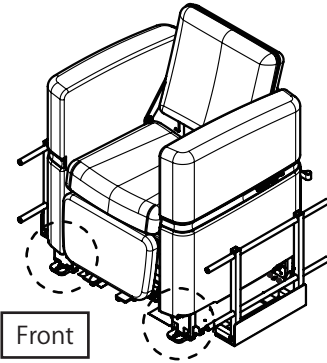
- When carrying the equipment main unit, do not drag it. Otherwise, the floor etc. may be scratched.
- Take care not to pinch the power cord (for installation) under the base or main unit frame. Otherwise, fire or electric shock may result.
- Take care not to hit the installed plumbing with the equipment main unit. Otherwise, damage and water leakage may result.
- If the pipe gasket is partly tucked into the bottom of the equipment main unit, move the equipment main unit aside temporarily, and cut out the part of the pipe gasket that has become tucked in.
- Do not fasten the equipment main unit with the pipe gasket partly tucked into its bottom (base). The equipment main unit may tilt, or it may be damaged due to improper fastening.



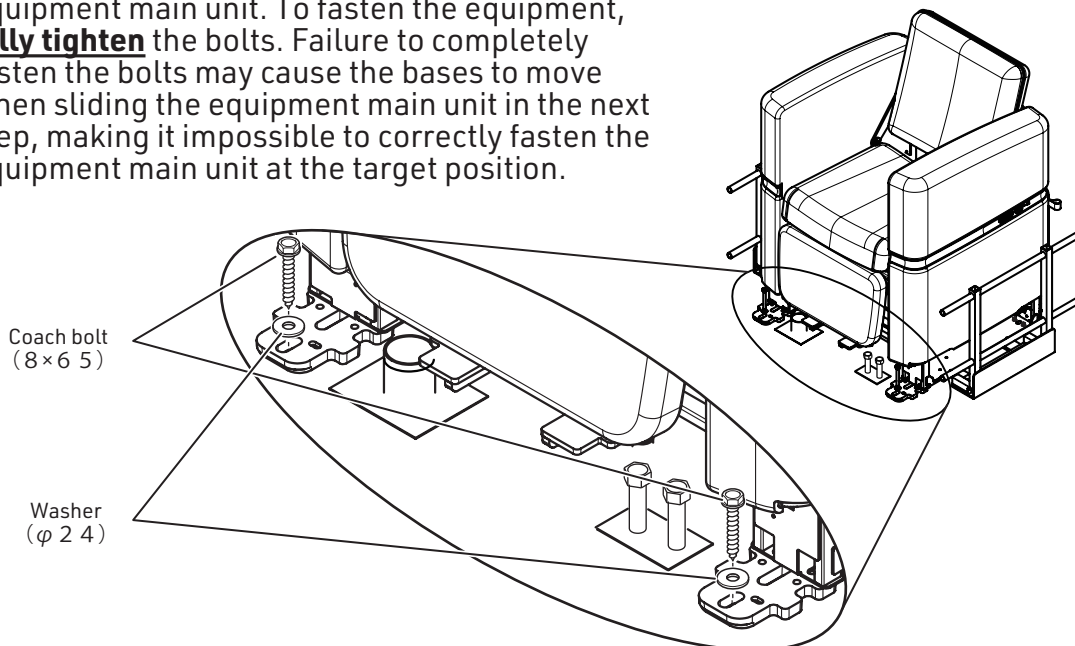
(2) Loosen the bolts (hexagon bolts, M8 × 15, **black**) that fasten the two bases in the front of the equipment main unit and the main unit frame to the extent that the bases can be moved (do not remove the bolts) (two bolts on each side, four bolts in total). Then, slightly lift the equipment main unit, and slide the bases to align with the base shape of the template and the hole positions drilled in Step 1 (two locations in the front).

**⚠ CAUTION**

- Do not loosen the bolts until they come off. Otherwise, the bases may come off, resulting in damage.
- Slide the main unit frame all the way to the end. Failure to fully slide the main unit frame may make it impossible to install the front cover and bottom side covers.
- Do not hold the upholstered parts to slide the main unit frame. Otherwise, damage may result.
- Do not slide one side at a time. Doing so may result in differences in the fastening positions.



(3) Fasten the two bolts in the front of the equipment main unit. To fasten the equipment, **fully tighten** the bolts. Failure to completely fasten the bolts may cause the bases to move when sliding the equipment main unit in the next step, making it impossible to correctly fasten the equipment main unit at the target position.



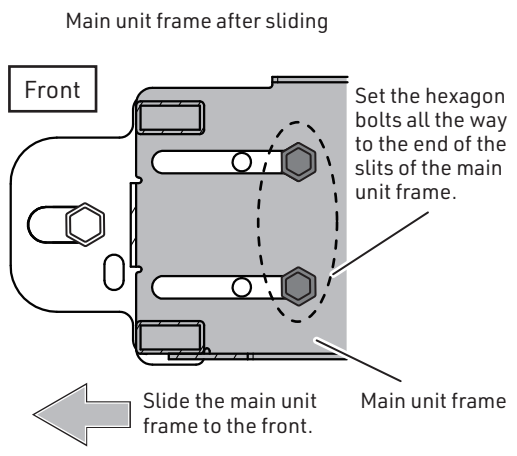
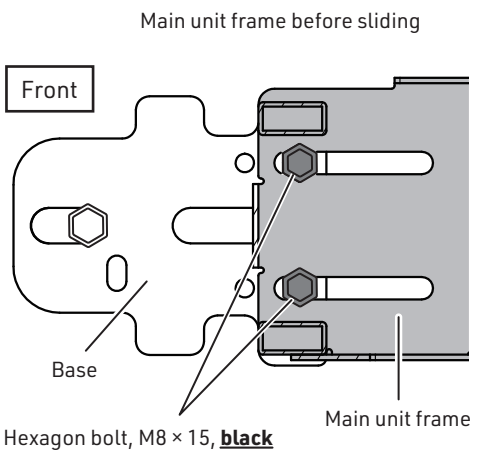
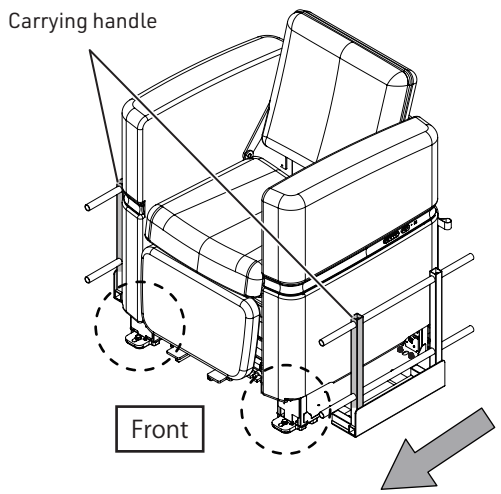
**⚠ CAUTION**

- Drive the bolts perpendicular to the floor surface.
- Here, do not fasten the two bolts in the rear of the equipment main unit.

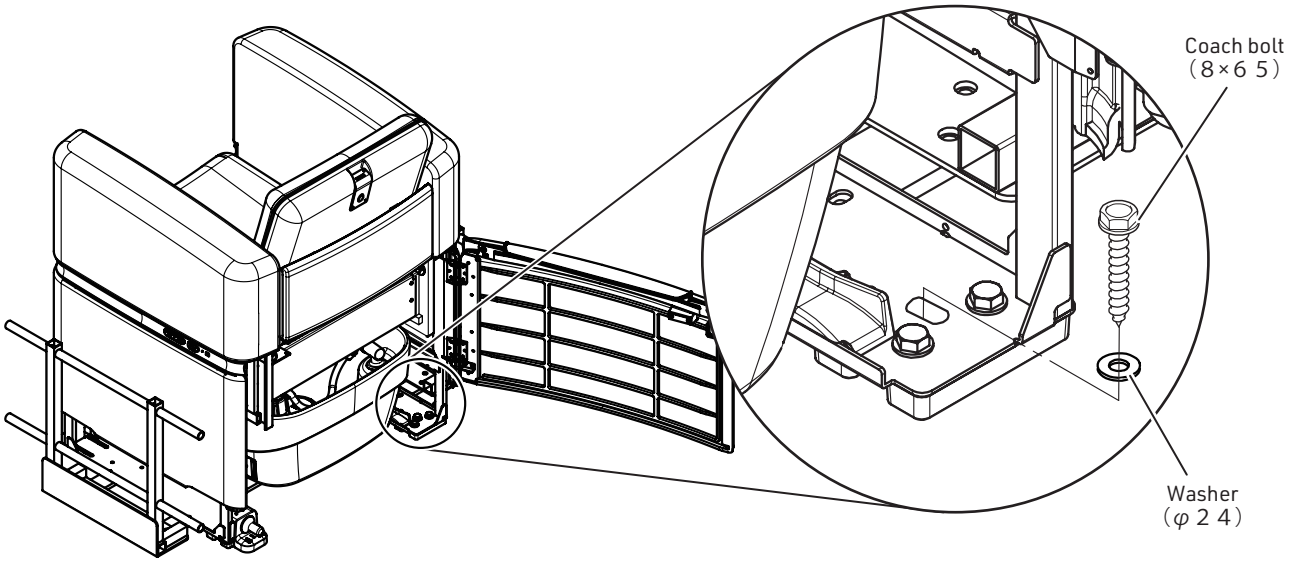
(4) Slide the equipment main unit to the fastened bases. When sliding the equipment main unit, hold the front pipe (shaded (■) in the figure) of the carrying handle. Slide the main unit frame all the way to the end. Failure to fully slide the main unit frame may make it impossible to install the front cover and bottom side covers.

**⚠ CAUTION**

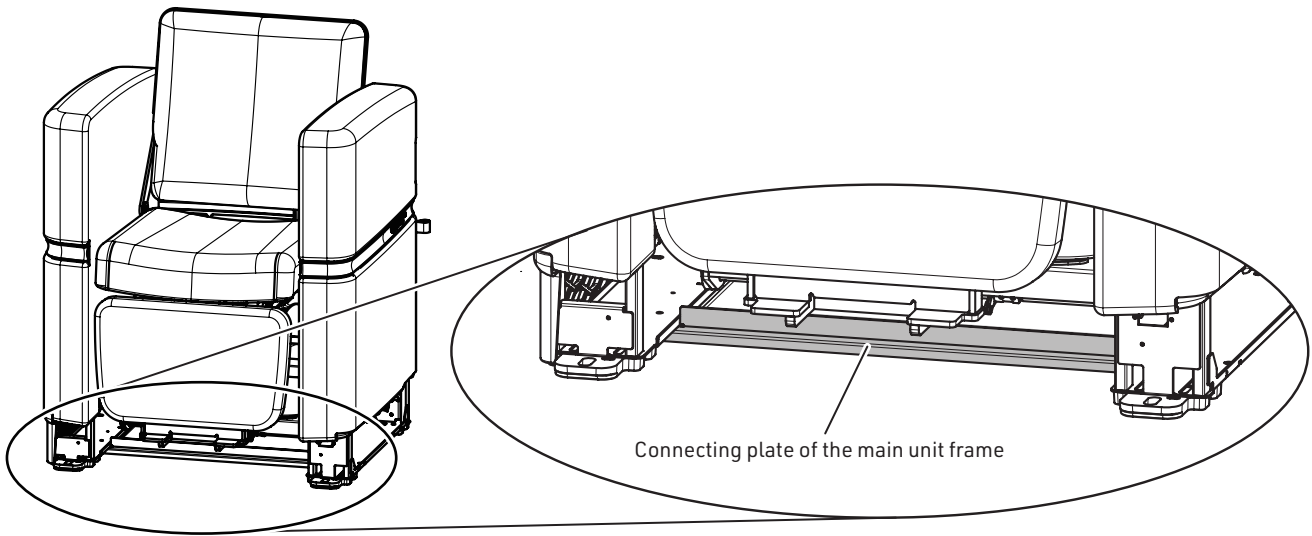
- Do not hold the upholstered parts to slide the main unit frame. Otherwise, damage may result.
- Do not slide one side at a time. Doing so may result in differences in the fastening positions.



(5) Open the back cover and fasten (**temporarily tighten**) the two bolts in the rear of the equipment main unit.



(6) Check the levelness of the equipment main unit. Measure the levelness on the connecting plate, which connects the left and right sides of the main unit frame (see the figure below).



When the levelness is confirmed, retighten the four bolts that were loosened in Step (2) to fasten the two bases in the front of the equipment main unit and the main unit frame (hexagon bolts,  $M8 \times 15$ , **black**). Then **fully tighten** the two bolts that were temporarily tightened in Step (5).

**When the levelness is not confirmed**

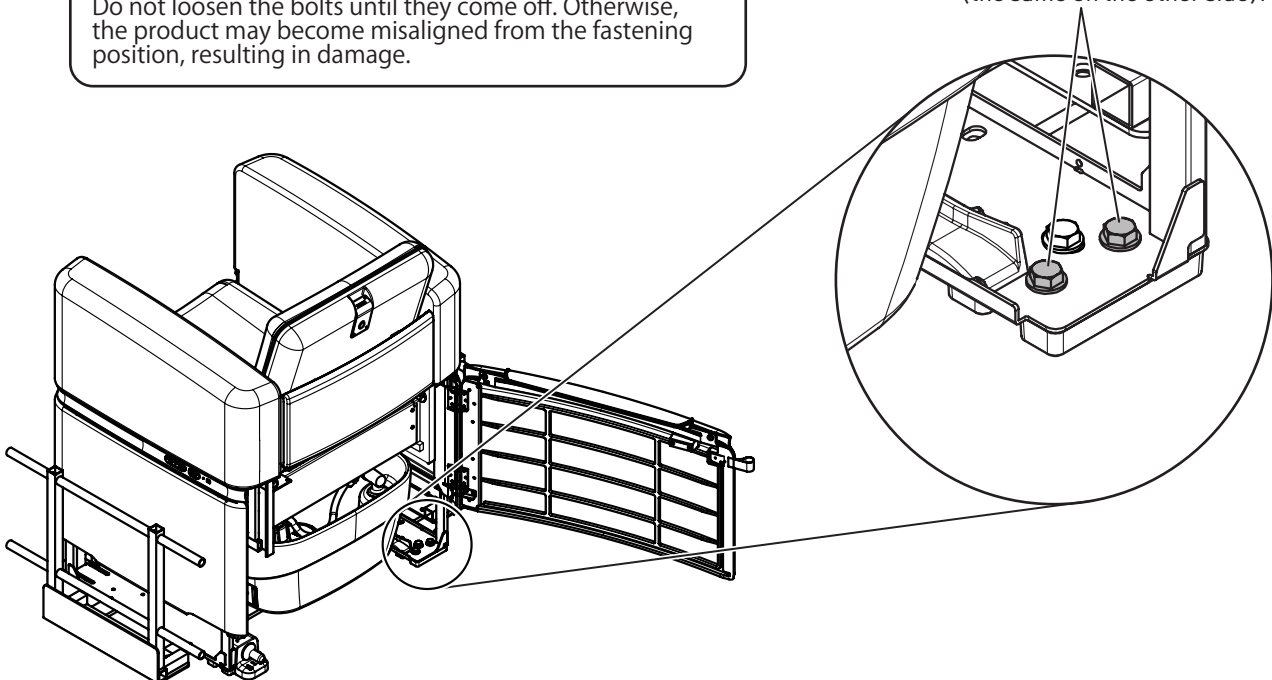
Follow the steps below to level the equipment.

Loosen the bolts which fasten the two bases in the rear of the equipment main unit and the main unit frame (hexagon bolts,  $M8 \times 15$ , **black**) (two bolts on each side, four bolts in total).

**CAUTION**

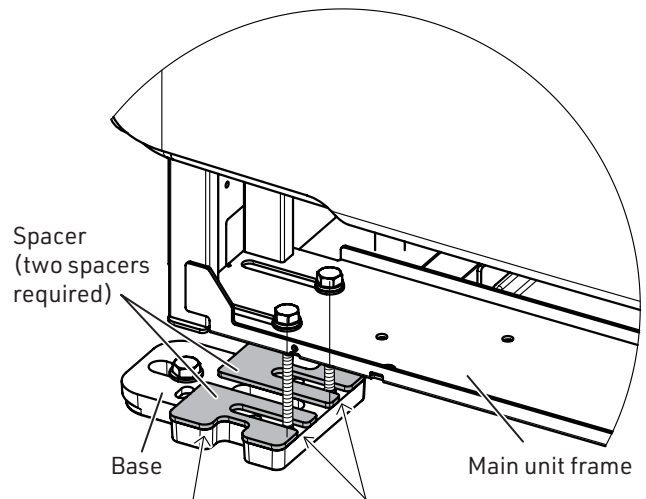
Do not loosen the bolts until they come off. Otherwise, the product may become misaligned from the fastening position, resulting in damage.

Loosen the hexagon bolts ( $M8 \times 15$ , **black**) (the same on the other side).



Insert spacers between a base and the main frame (on the side of the equipment main unit which is less tilted) to adjust the levelness.

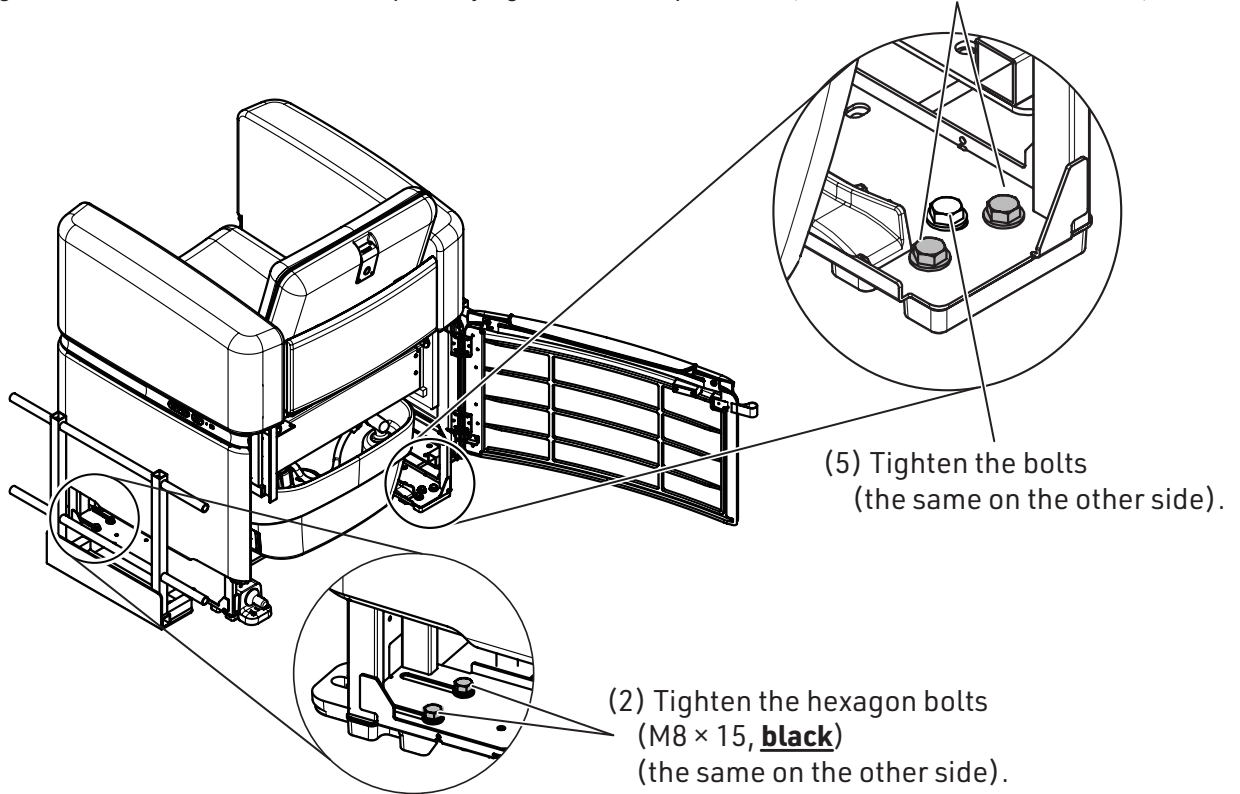
Here, make sure to insert two spacers per location. Fully insert the spacers between the base and the main unit frame so that they do not protrude.



Align the spacers to the shape of the base. Put the bolts through the open-ended slots.

When the levelness of the equipment main unit is confirmed, retighten the eight bolts (hexagon bolts, M8 × 15, **black**) that were loosened in Steps (2) and (6) to fasten the four bases of the equipment main unit and the main unit frame at four locations. Fully tighten the two bolts that were temporarily tightened in Step (5).

(6) Tighten the hexagon bolts (M8 × 15, **black**) (the same on the other side).



**CAUTION**

Fastening without confirming the levelness of the equipment main unit may strain the main unit frame, resulting in damage.

(7) After fastening the equipment main unit, check the levelness again. If the levelness is not ensured, make readjustments based on the steps in 'When the levelness is not confirmed'.

- (8) Remove the carrying handles and the carrying handle mounting plates.  
Regarding the steps, refer to the installation steps [pp.8 and 9].

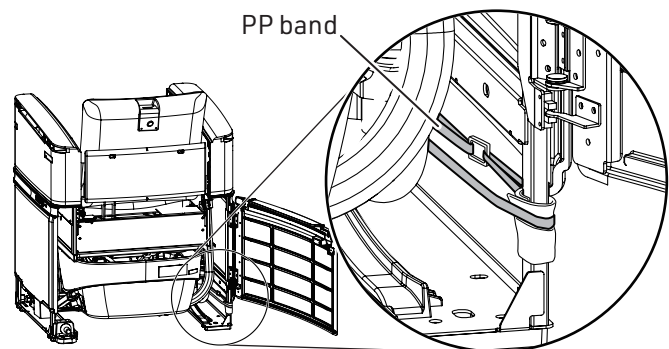
**⚠ CAUTION**

- When pulling out the carrying handle mounting plates, take care not to damage the wall surface and equipment in the vicinity.
- When removing the carrying handles and carrying handle mounting plates, take care not to scratch the equipment main unit and the floor surface.

- (9) Cut the PP band that fastens the basin.

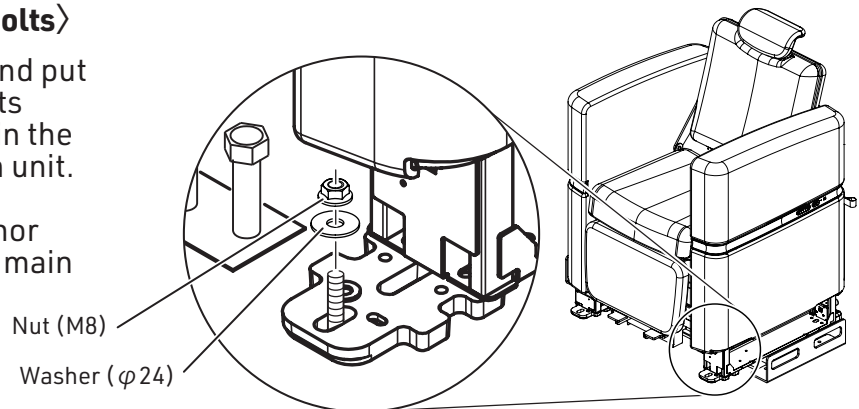
**⚠ CAUTION**

Moving the basin without cutting the PP band may prevent the basin from being extended, resulting in water leakage and damage.



**<When fastening using anchor bolts>**

- (1) Hold the carrying handles and put the four fastened anchor bolts through the fastening holes in the bases of the equipment main unit.
- (2) Thread a nut onto each anchor bolt to fasten the equipment main unit (four locations).



- (3) Check the levelness of the equipment main unit.  
Measure the levelness on the connecting plate, which connects the left and right sides of the main unit frame.

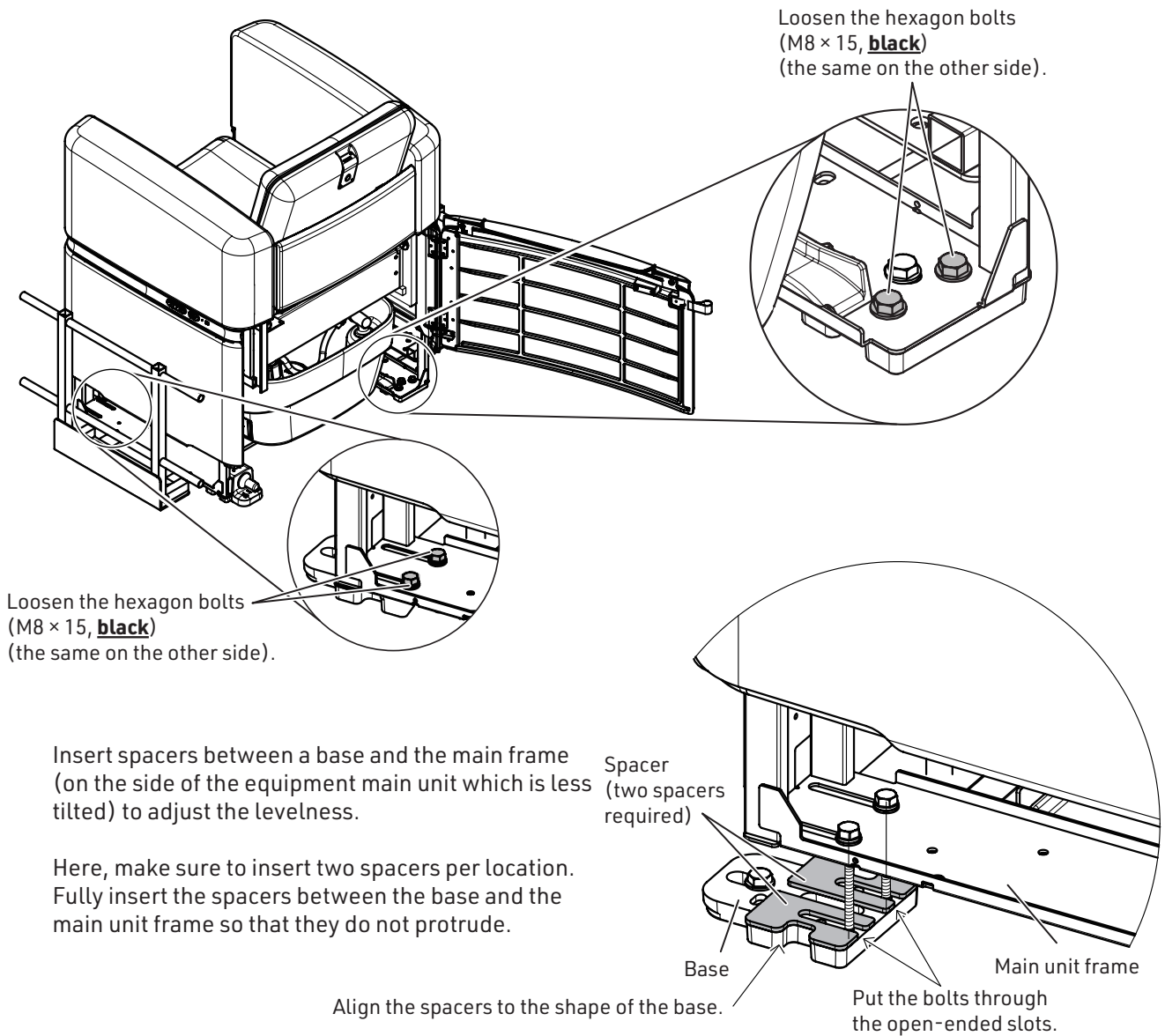
**When the levelness is not confirmed**

Follow the steps below to level the equipment main unit.

Loosen the bolts (hexagon bolts, M8 × 15, **black**) that fasten the two bases in the front and two other bases in the rear of the equipment main unit and the main unit frame, to the extent that they are not removed (two bolts per location, eight bolts in total).

**CAUTION**

Do not loosen the bolts until they come off. Otherwise, the product may become misaligned from the fastening position, resulting in damage.



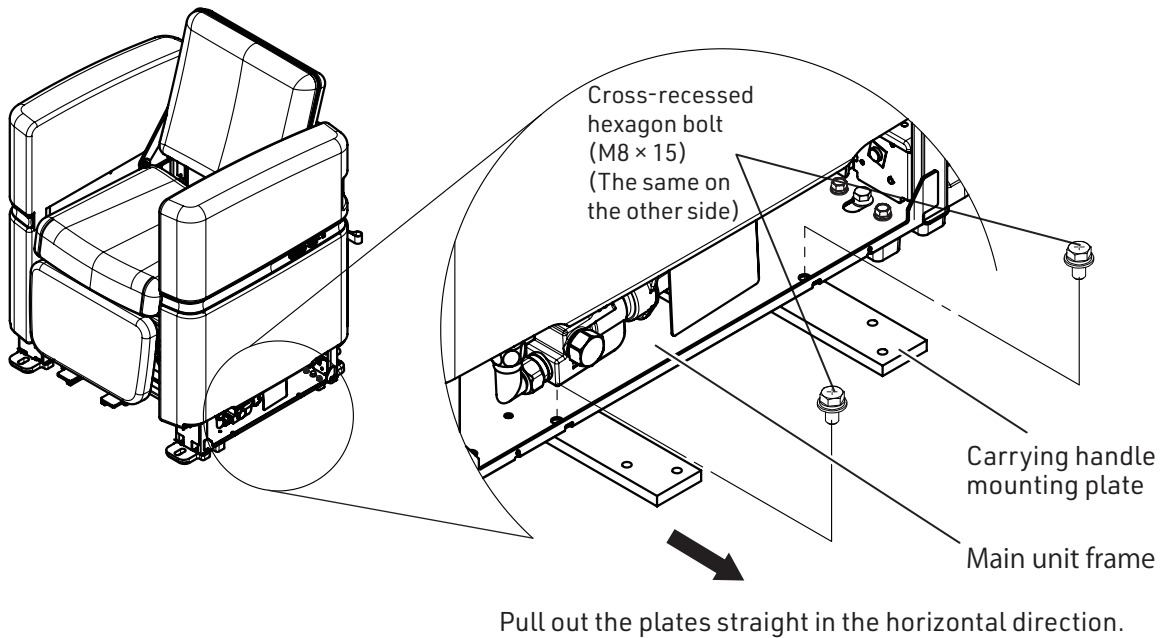
When the levelness of the equipment main unit is confirmed, retighten the eight bolts (hexagon bolts, M8 × 15, **black**) that were loosened to fasten the four bases of the equipment main unit and the main unit frame.

**CAUTION**

Fastening without confirming the levelness of the equipment main unit may strain the main unit frame, resulting in damage.

#### 4. Remove the carrying handles and the carrying handle mounting plates.

Remove the carrying handles by referring to the installation procedure on [p.8]. Next, remove the bolts (cross-recessed hexagon bolts, M8 × 15) that fasten the carrying handle mounting plates to the main unit frame to remove the carrying handle mounting plates (two bolts on each side, four bolts in total).



## 2 Plumbing

### 1. Connect the power cord.

Remove the tape attached to the basin (mostly above the connecting plate of the main unit frame) and take out the power plug with earth terminal provided with this product. Check that the power switch is turned off, and insert the power plug into the power outlet.

#### **CAUTION**

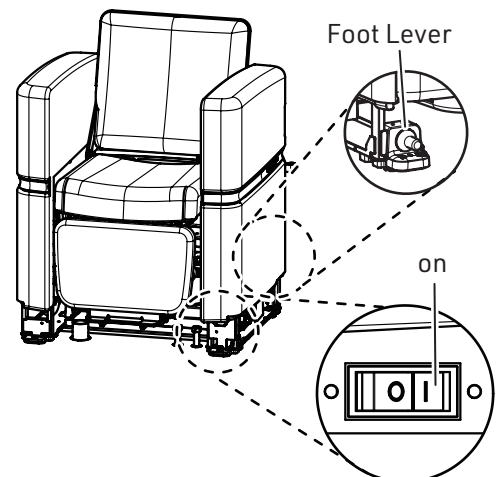
Make sure to inspect the power outlet before connecting the power cord. For the method of inspecting the power outlet, refer to [p.2].

### 2. Lift the chair and leg rest

- (1) Turn on the equipment main unit.  
Press the right side of the power switch (I mark).  
\* When the power is on, the LED lamp on the control panel lights up.

#### **CAUTION**

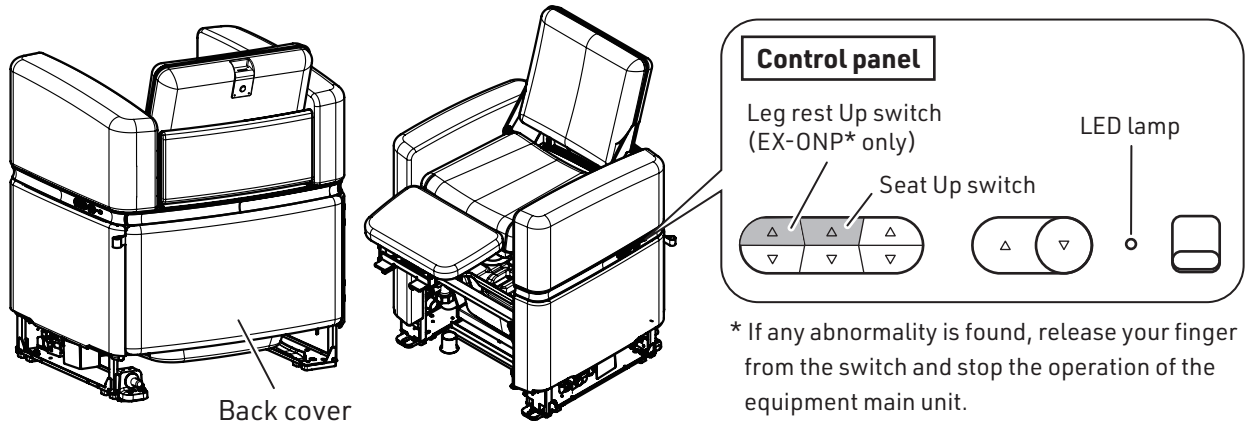
Before turning on the power switch, check for any objects that are in contact with the switches on the control panel and the foot lever.



## 2. Lift the chair and leg rest

(2) Check that the back cover is closed, and press the Seat Up and Leg rest Up switches on the control panel to lift the seat and leg rest to the upper limit.

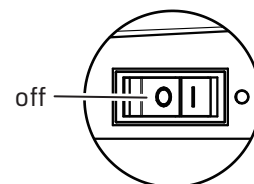
\* Operation is disabled unless the back cover is completely closed.



### **⚠ WARNING**

- When operating the equipment main unit, check for any objects or parts of the body near the seat and the front end of the leg rest (EX-ONP\* only) before operation.
- The chair unit of this product moves backward when it is lifted and moves forward when it is lowered. Carefully check for any objects in the front and rear of this product before operation.
- When lifting the leg rest, take sufficient care so that the front end of the leg rest does not come into contact with the peripheral equipment during operation.

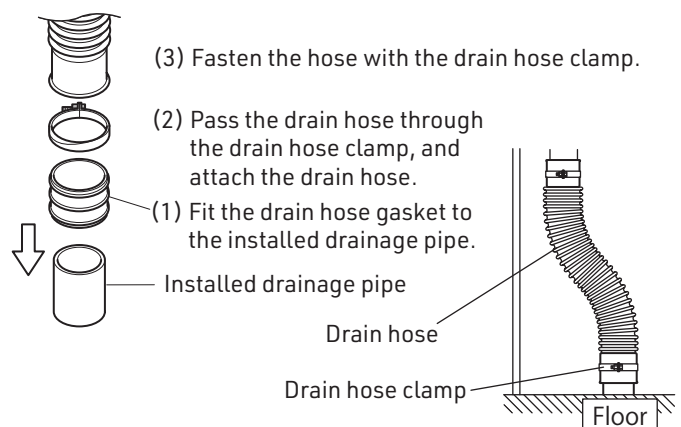
(3) Press the left side of the power switch (○ mark) to turn off the power, and disconnect the power plug from the outlet.



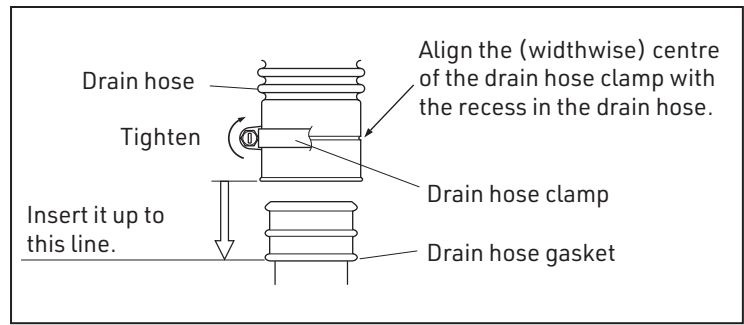
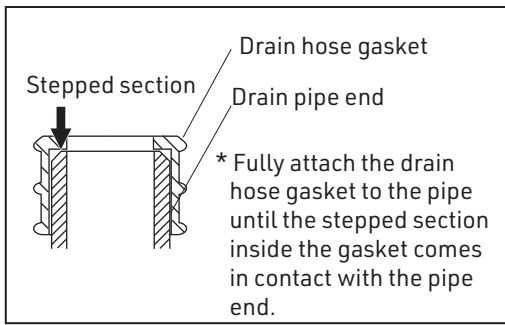
## 3. Attach the drain hose to the installed drainage pipe.

### **⚠ CAUTION**

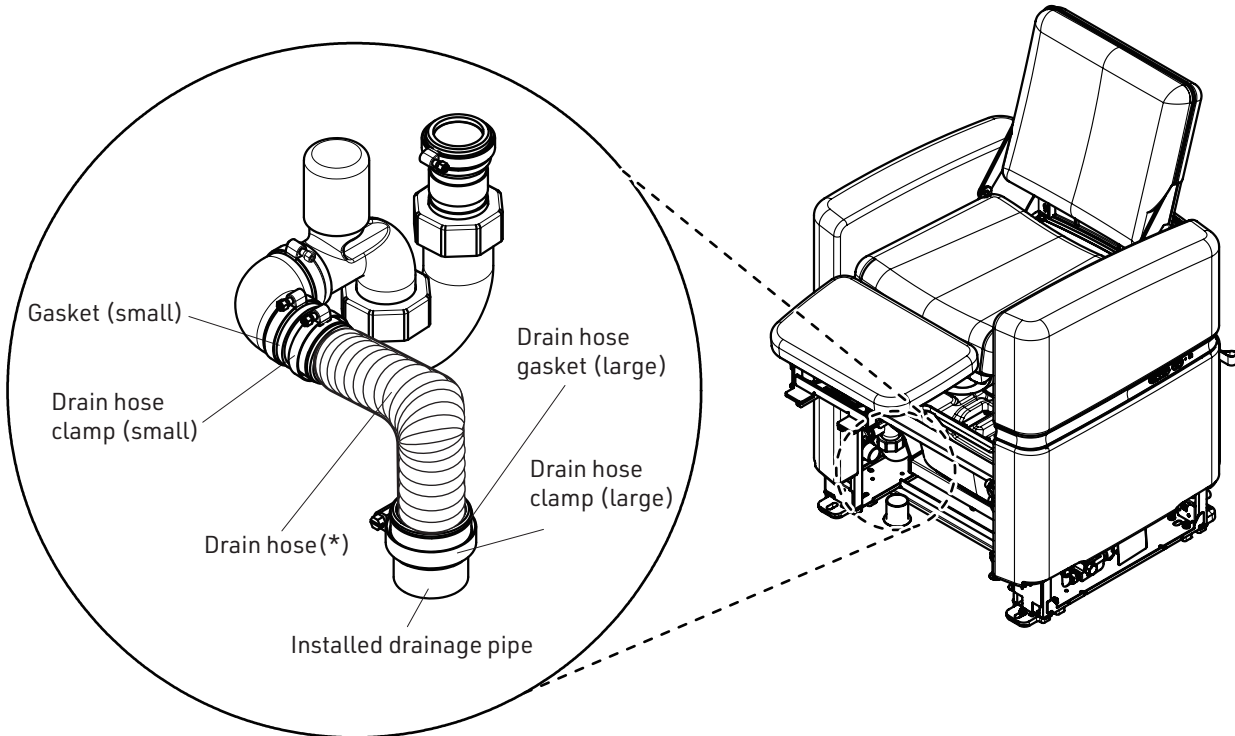
- Make sure the drain hose is not kinked or scratched. Otherwise, the wastewater may not flow smoothly, or the drain hose may become damaged.
- Make sure the drain hose clamp is securely attached. If loose, the drain hose may leak or become detached.
- Make sure there is no double trapping. Double trapping will result in poor wastewater flow.



### 3. Attach the drain hose to the installed drainage pipe.



Attach the drain hose as shown in the figure below.



\*If the installed drainpipe bends too much when the drain hose is attached to the installed drainpipe, cut the installed drainpipe to a height at 30 mm from the floor to reduce the degree of bending.

#### **CAUTION**

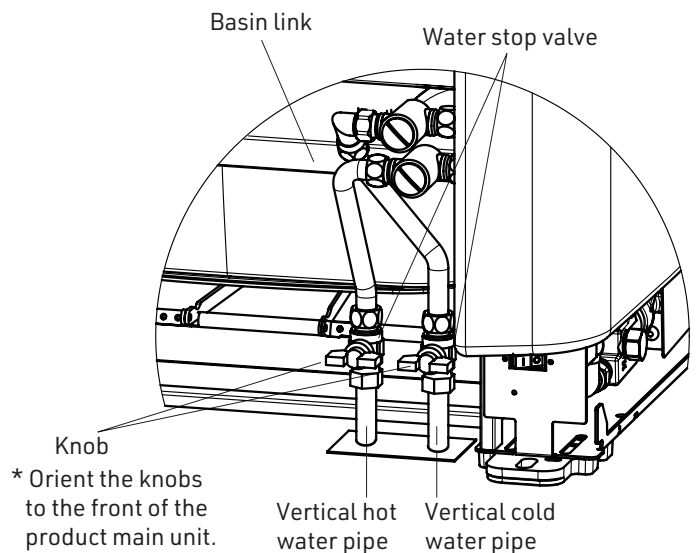
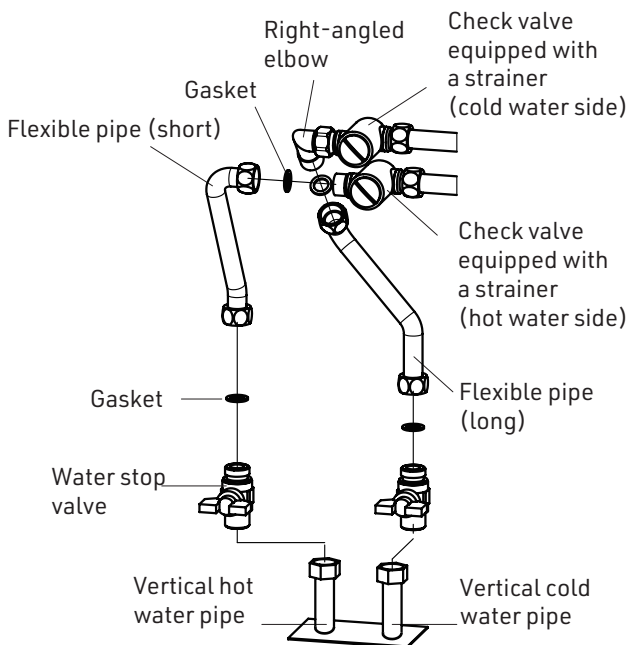
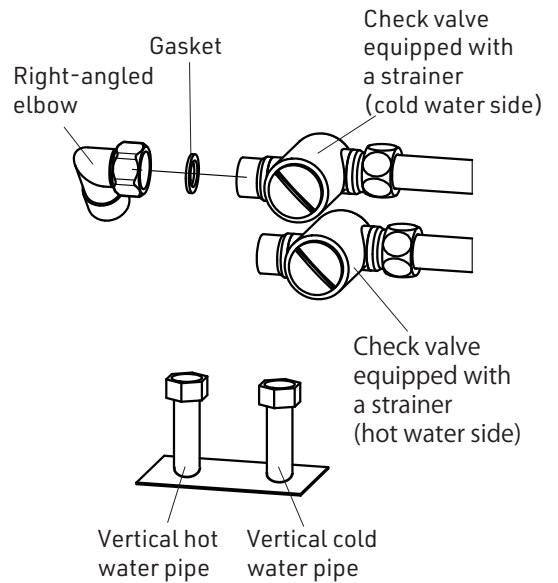
- Check that the installed plumbing parts do not come into contact with the basin link.

#### 4. Install the hot and cold water pipes.

Install the elbow, flexible pipes, and water stop valves as shown in the figure on the right.

#### **CAUTION**

- When installing the hot and cold water pipes, be careful not to touch the pipes inside the equipment. A water leak may result.
- When installing the hot and cold water pipes, be careful not to apply force to the pipes inside the equipment. A water leak may result.
- Be sure to attach the supplied gaskets. If the product is used without the gaskets, a water leak will result.
- Do not connect the hot and cold water pipes in reverse.



## 3 Water Flow Testing

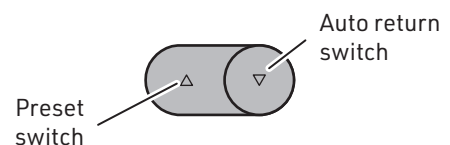
### 1. Extend the basin.

Insert the power plug in the power outlet, turn on the power switch, check that the back cover is closed, press the auto return switch on the control panel built into the side of the armrest, and set the equipment main unit to the initial position. Then fully open the back cover, check that the PP band that fastens the basin is cut, and press the preset switch. For details of the operation method, refer to [p.32].

\* The equipment main unit generates a click while the basin is extended. This is not an abnormality.

#### **WARNING**

Check for any persons, animals, or objects in the operating range of the basin. Otherwise, a person, animal, or object may be hit by the basin, resulting in personal injury or damage.

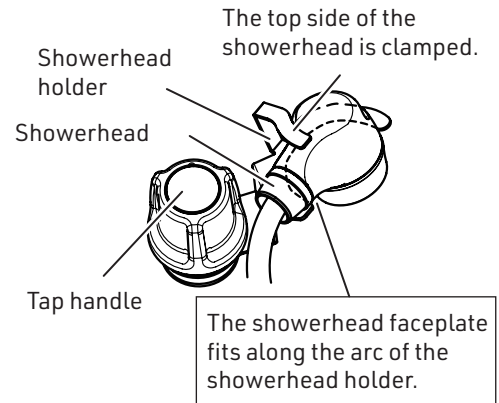


## 2. Set the showerhead.

Set the showerhead, which is taped to the basin to the showerhead holder.

### CAUTION

Improper setting of the showerhead to the showerhead holder may cause the showerhead to come into contact with the frame when the basin is retracted, resulting in damage.



## 3. Perform a hydrostatic test.

### CAUTION

- Be sure to perform a hydrostatic test to prevent accidents during use.
  - The tap (on the basin) is not fully tightened at the time of shipment from the factory.
- When you open the water stop valves (ball valves), water may come out of the shower head.

\* Turn on the water to perform the checks listed below. The water will be cloudy for a while after you turn the water on, but this is not indicative of abnormality.

\* The thermostat of this equipment is designed to prevent discharge of hot water of about 49°C or higher. (Note that the figures above apply when the supply pressure is the same with the water supply temperature of 20°C and the hot water supply temperature of 60°C. They vary depending on the water heater used and the plumbing environment.)

### (1) Check whether there is any water leakage from the pipe connections.

Also check the plumbing connections inside the equipment main unit carefully as they may have become loose during transportation.

### (2) Check that the hot and cold water supply pressures are the same and constant.

### (3) Check that the water temperature is properly controllable.

Tilt up and down the temperature control lever on the left side of the basin, and check that the temperature changes based on the operation. The temperature will change about three seconds after operating the temperature control lever. For details of the operation method, refer to 'How to operate the temperature control lever' [p.24].

### (4) Check that the water discharge amount from the shower is sufficient.

Use the following criteria as a guide.

Criteria for the shower flow rate

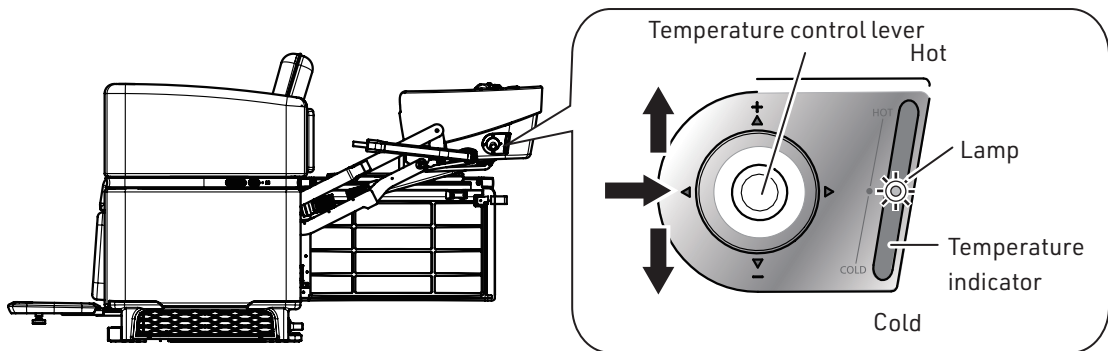
Hot/cold water pressure : 0.1 MPa respectively

Shower temperature : 40°C

Showerhead (shower mode) : about 8.5 L/min.

(Aerated mode) : about 7.1 L/min.

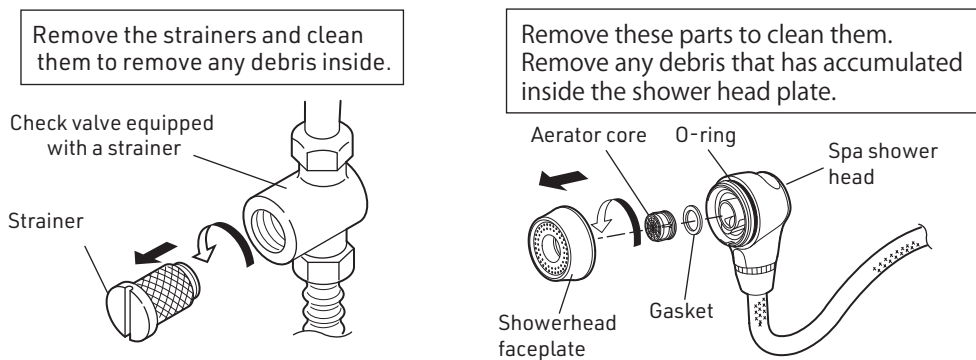
## How to operate the temperature control lever



- Tilt up the temperature control lever once. A beep sounds, and the warm water temperature increases (up to four levels from the normal temperature).
- Tilt down the temperature control lever once. A beep sounds, and the warm water temperature decreases (up to four levels from the normal temperature).
- Keep tilting up the temperature control lever. A melody plays, and the warm water temperature increases up to about 49°C.
- Keep tilting down the temperature control lever. A melody plays, and the warm water temperature decreases to the tap water temperature.
- Tilt the temperature control lever once to the right. A beep sounds, and the warm water temperature returns to the normal temperature.

### 4. Clean the parts.

After performing the hydrostatic test and checking that the cloudy water has become clear, be sure to clean the strainers (built into the check valves) and the showerhead faceplate. Failure to clean them may result in insufficient flow rate or poor thermostatic control.



### CAUTION

When cleaning the strainer, make sure to close the water stop valve.

## 5. Retract the basin.

Check that the showerhead is set in the showerhead holder and the back cover is fully open. Press the auto return switch to retract the basin. Then close the back cover. For details of the operation method, refer to [p.31].

After retracting the basin, check again for water leakage inside the equipment main unit.



### **WARNING**

Otherwise, a person, animal, or object may be hit by the basin, resulting in personal injury or damage.



### **CAUTION**

Retracting the basin without setting the showerhead to the showerhead holder may cause the showerhead to interfere with the equipment main unit, resulting in damage.

## 4 Installing the Front Cover

Before starting the procedure, check that the seat and leg rest of the chair unit are lifted to the upper limit.

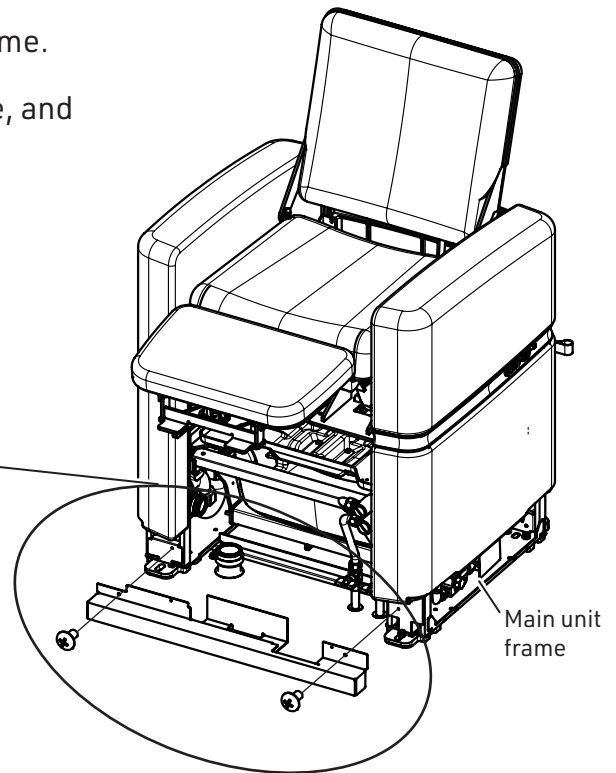
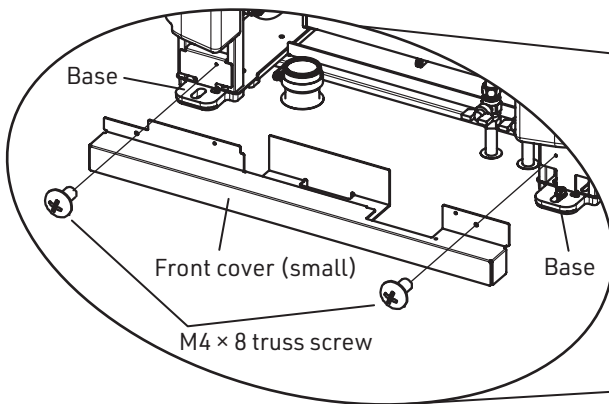
If the chair unit is not in the above condition, refer to [p.19] to lift the seat and leg rest to the upper limit.

### 1. Install the front cover (small) to the main unit frame.

(1) Fit the front cover (small) to cover the base, and fasten it to the main unit frame using bolts. (two M4 × 8 truss screws)

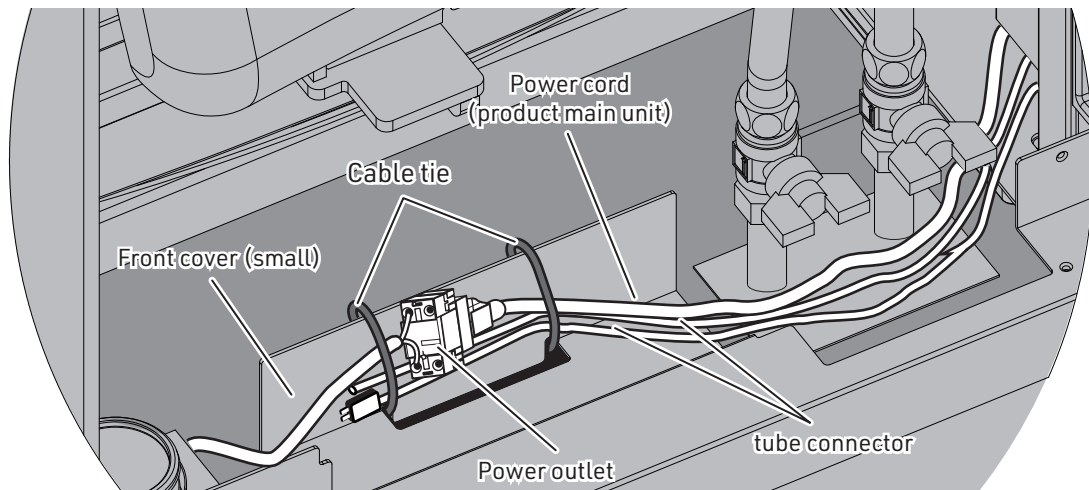
#### **CAUTION**

Check that the installed front cover (small) does not come into contact with the plumbing parts.



(2) Fasten the power outlet, power cord (product main unit), and wiring for the Truecare sure system using the cable ties attached to the front cover (small).

\* Make sure to fasten the tube connector at the same position.

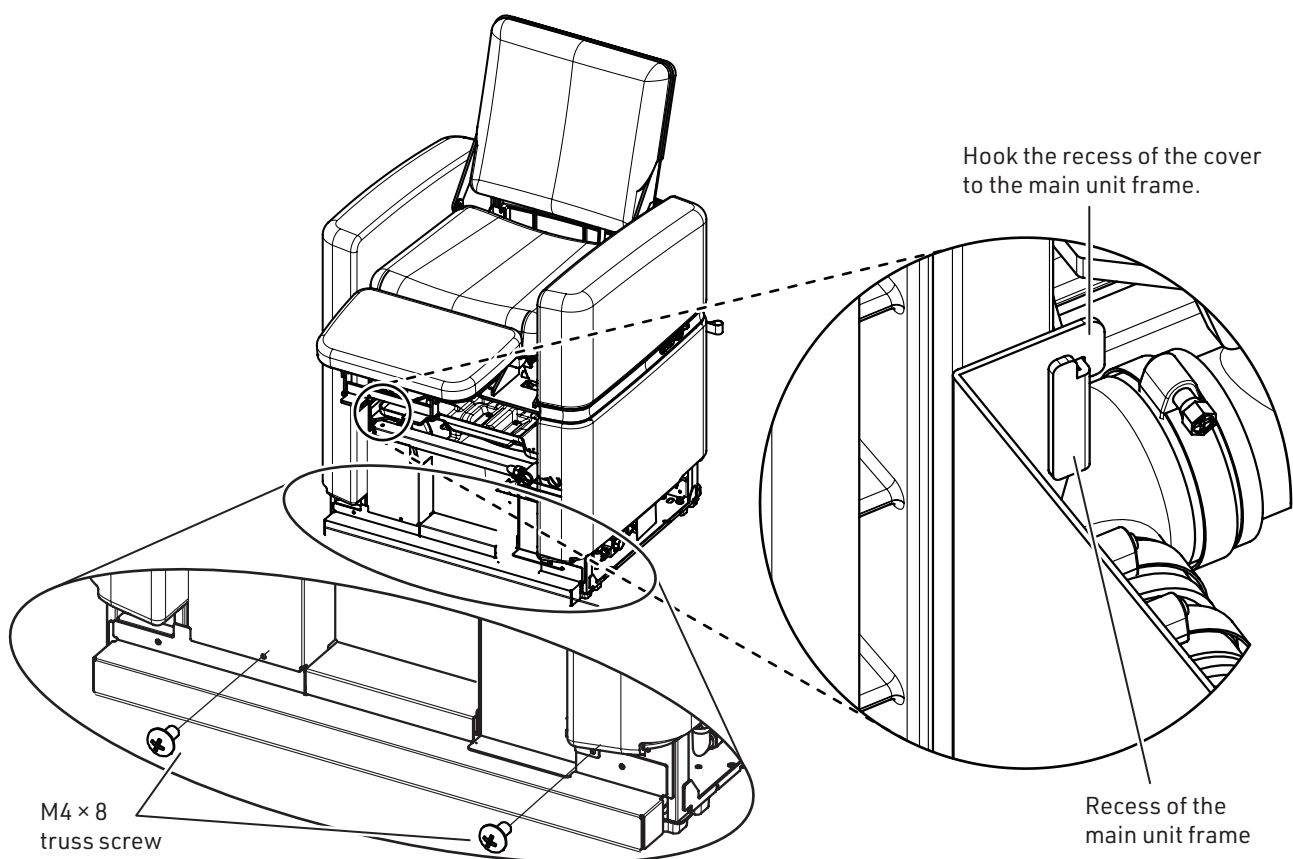
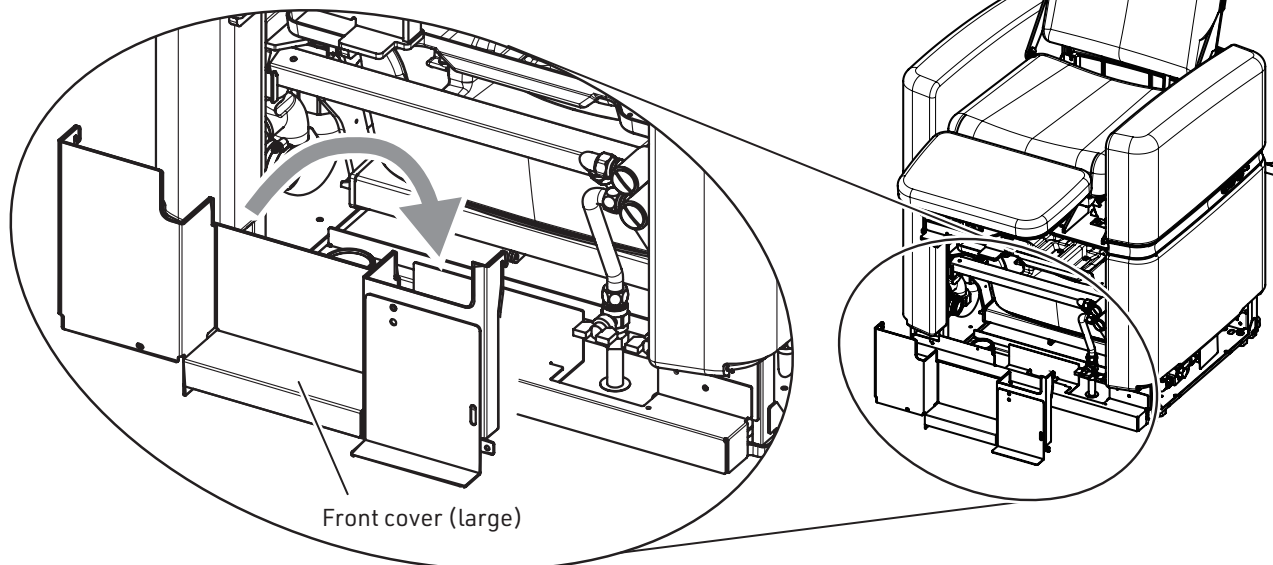


#### **WARNING**

- Sufficiently loosen the power cord (product main unit) and the wiring for the Truecare sure system, and make sure to earth them to the floor. If water leaks inside the equipment main unit, the water may flow along the cord and flow into the power outlet, resulting in electrical leakage.
- Fasten the power outlet and the power cord (product main unit) at the centre of the front cover (small).

2. Install the front cover (large) to the main unit frame.

- (1) Hook the recesses of the front cover (large) to the left and right of the main unit frame to fit the cover.
- (2) Fasten the front cover (large) to the front cover (small) using screws (two M4 × 8 truss screws).



**⚠ WARNING**

When installing the front cover (large), take care not to pinch the power cord and the wiring for the Truecare sure system. Otherwise, the cord and cables may be broken.

**⚠ CAUTION**

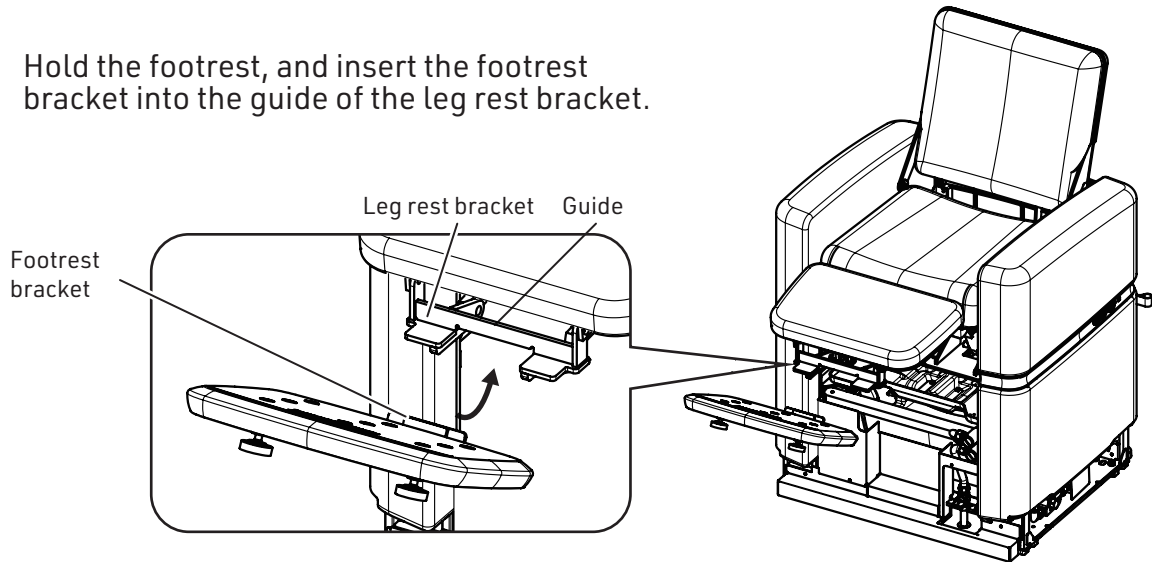
Firmly fasten the bolts. Loose bolts may cause the cover to rattle.

## 5 Installing the Footrest

### CAUTION

When installing the footrest or leg rest, take sufficient care not to cause them to come into contact with other parts or pinch the wiring for electrical parts. Otherwise, scratches and failure may result.

Hold the footrest, and insert the footrest bracket into the guide of the leg rest bracket.



### WARNING

After installing the footrest, check that the footrest bracket is firmly hooked onto the guide, and check for backlash of the footrest. Any backlash causes the footrest to be unstable when a client gets on or off.

**⚠ CAUTION**

When installing the cover, take sufficient care not to cause it to come into contact with other parts or pinch the wiring for electrical parts. Otherwise, scratches and failure may result.

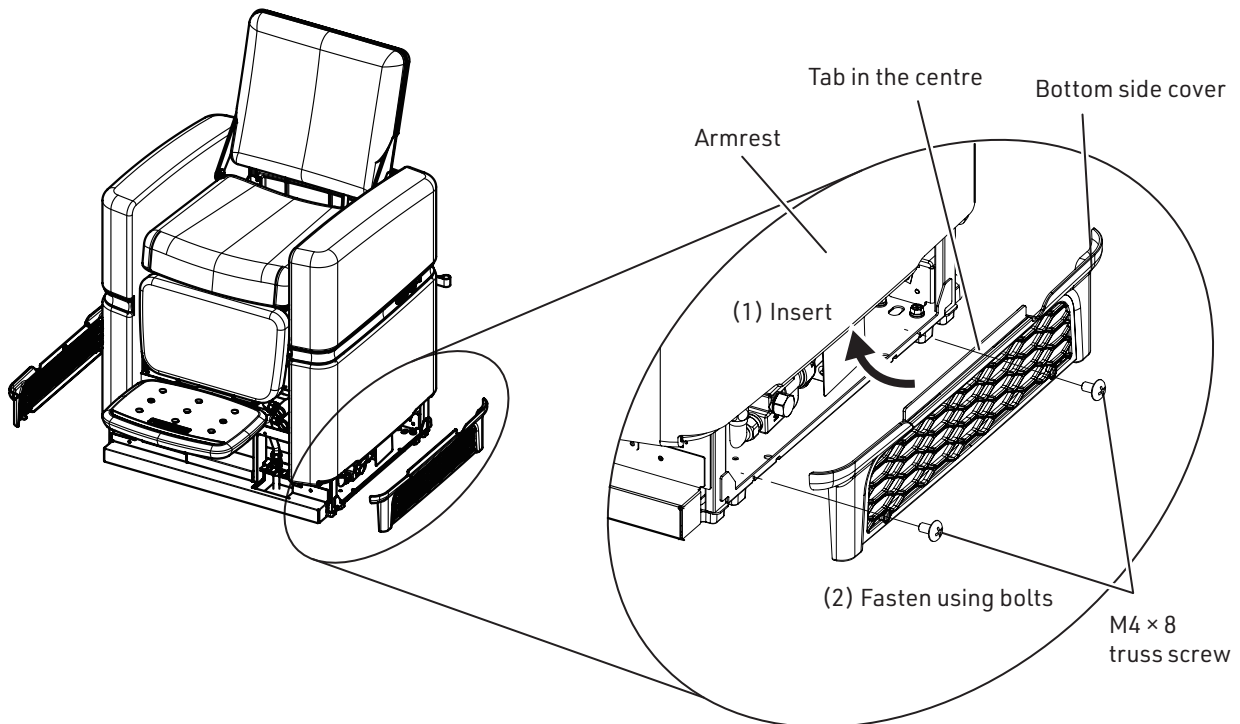
\* Before installing the cover, check the cover for scratches and stains.

If this pre-inspection reveals any problems, contact your local authorised Takara Belmont dealer.

**○ Bottom side covers**

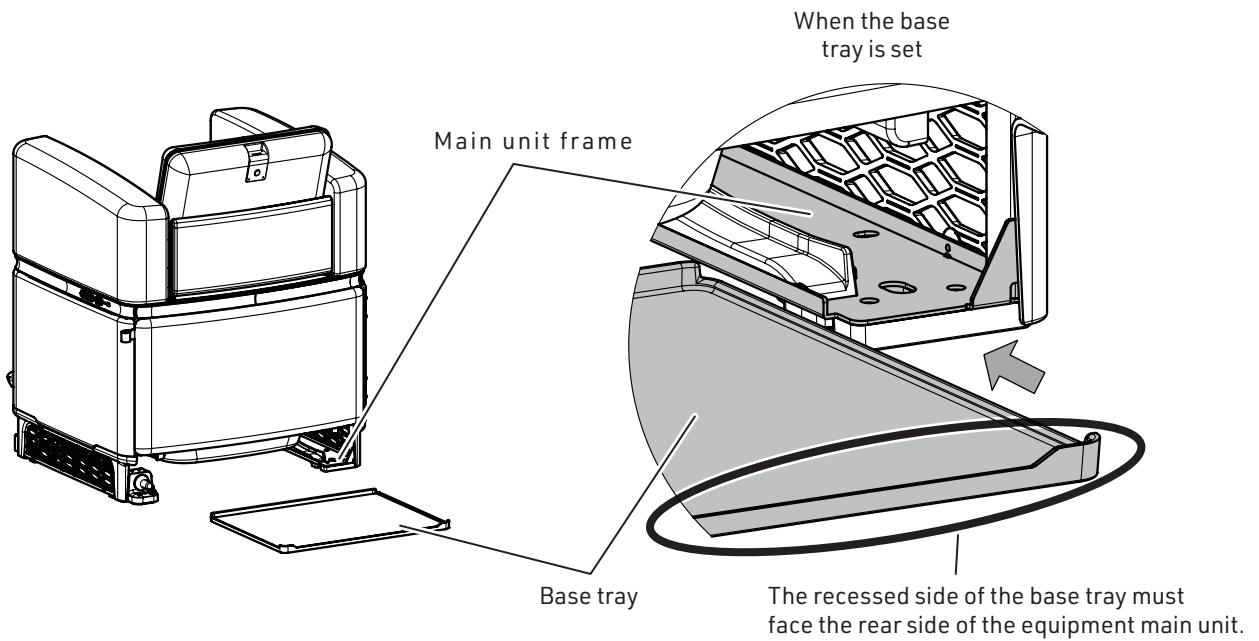
(1) Insert the tab, which is provided in the centre of the bottom side cover, inside the armrest on the left and right.

(2) Fasten the bottom side covers using screws (truss screws, M4 × 8) (two screws on each side, four screws in total).



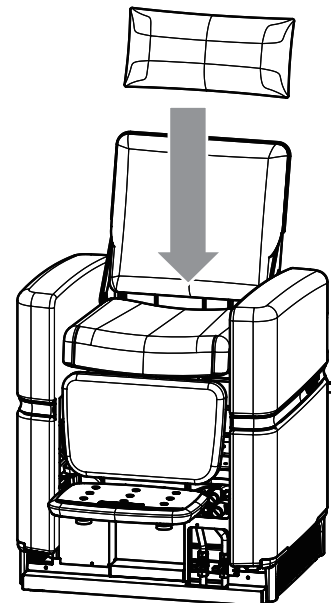
## ○ Base tray

Set the base tray under the basin as shown in the figure below.



## 7 Installing the Lumbar Cushion

Place the lumbar cushion sideways on the seat and lean it against the backrest.



### ⚠ CAUTION

- Check for any persons or objects near the product main unit in advance. Also check for any objects that are in contact with the switches on the control panel and the foot lever.
- Gently press the backrest during the preset operation.  
No-load operation may prevent the backrest from moving all the way to the designated position.

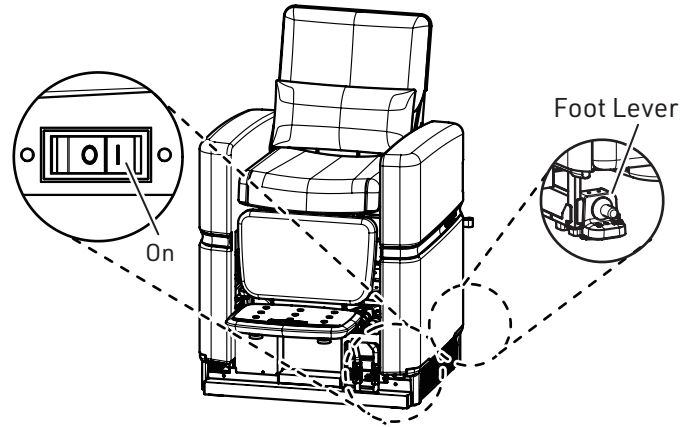
#### (1) Turn on the power.

Press the right side of the power switch (I mark).

#### (2) Return the equipment main unit to the initial position.

Check that the back cover is closed, and press the auto return switch.

If the backrest is equipped with a headrest, pull out and remove the headrest.



#### (3) Check the operation of the chair.

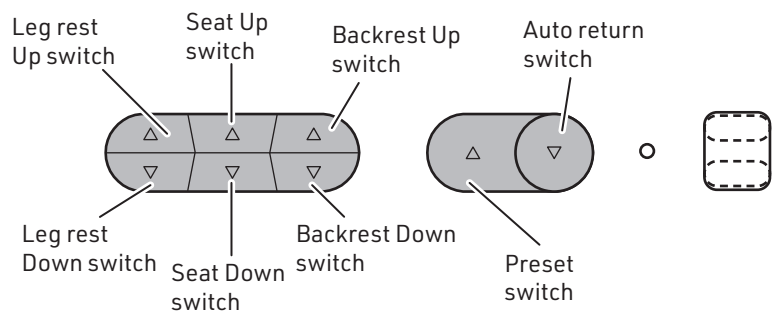
To check the operation, press the switches on the control panel in the following steps.

\* The chair cannot be operated unless the back cover is completely closed.

- (1) Pressing the Seat Up switch causes the seat to be lifted. Pressing the Seat Down switch causes the seat to be lowered.  
Tilting the foot lever to the left causes the seat to be lifted. Tilting the foot lever to the right causes the seat to be lowered.
- (2) Pressing the Backrest Up switch causes the backrest to be raised. Pressing the Backrest Down switch causes the backrest to be reclined.
- (3) Pressing the Leg rest Up switch causes the leg rest to be lifted. Pressing the Leg rest Down switch causes the leg rest to be lowered.
- (4) Pressing the preset switch causes the seat, backrest, and leg rest to automatically move to the preset position.
- (5) Pressing the auto return switch causes the seat, backrest, and leg rest to automatically move to the initial position.

If any abnormality is found during the operation, follow the steps below to stop the operation of the product.

- During manual operation:  
Release your finger from the switch.
- During automatic operation:  
Press any switch on the control panel.



## CAUTION

If the following incidents occur during the automatic operation of this product, press any switch on the control panel to stop the operation and take action as described below.

- **The chair comes into contact with the front cover.**

⇒ Install the front cover correctly. While exercising care, press the auto return switch again to return the chair back to the default position.

- **The chair catches parts of the body, including hands and feet, or objects.**

⇒ Remove parts of the body, including hands and feet, or objects around this product, especially those near the seat and footrest. While exercising care, press the auto return switch again to return the chair back to the default position.

[Check items]

- Check that the cover, plumbing, etc. do not interfere during operation.
- ⇒ If any abnormality is found, install parts correctly.

### (4) Check the operation of the basin.

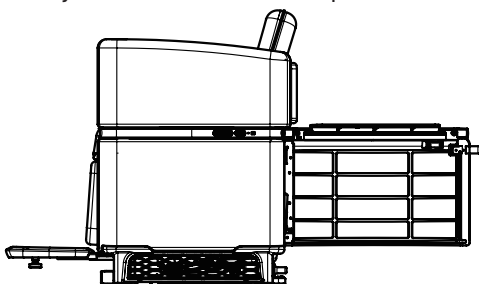
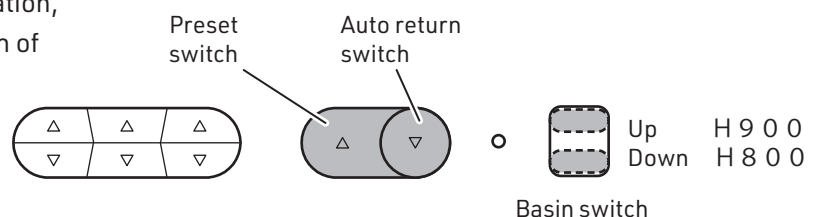
Open the back cover when the product is in the initial position (when the Steps (3) and (5) are complete). To check the operation, press the switches on the control panel in the following steps.

\* The chair cannot be operated unless the back cover is completely open.

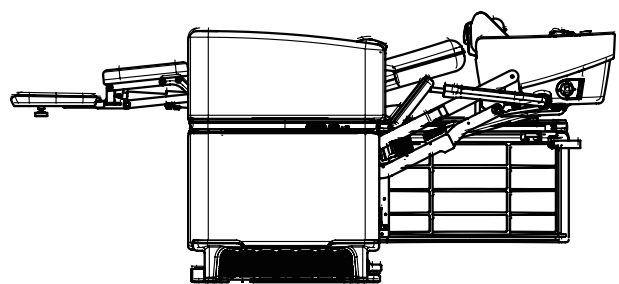
- (1) Check that the basin switch on the control panel is set to Down. Press the preset switch. The basin automatically moves to the shampooing position at H800.
- (2) After the operation of the basin is complete, set the basin switch to Up, and press the preset switch again. The basin automatically moves to the shampooing position at H900.
- (3) After the operation of the basin is complete, press the preset switch. The seat, backrest, and leg rest automatically operate, causing the chair to move to the shampooing position.
- (4) After the operation of the chair is complete, press the auto return switch. The seat, backrest, and leg rest automatically operate, causing the chair to move to the initial position.
- (5) After the operation of the chair is complete, press the auto return switch. The basin is automatically retracted.
- (6) After the operation of the basin is complete, set the basin switch to Down.
- (7) Close the back cover.

If any abnormality is found during the operation, follow the steps below to stop the operation of the product.

- During manual operation:  
Release your finger from the switch.
- During automatic operation:  
Press any switch on the control panel.



(The figure shows the product in its initial position.)



(The figure shows the product in its shampooing position)

## CAUTION

If the following incidents occur during the automatic operation of this product, press any switch on the control panel to stop the operation and take action as described below.

- **The chair or basin catches parts of the body, including hands and feet, or objects.**

⇒ Remove parts of the body, including hands and feet, or objects around this product, especially those near the seat and footrest. While exercising care, press the auto return switch again to return the product back to the initial position.

- **The chair comes into contact with the basin.**

⇒ If the chair comes into contact with the basin in the operation check, contact your local authorised Takara Belmont dealer.

[Check items]

- **Check that the cover, plumbing, etc. do not interfere during operation.**

⇒ If any abnormality is found, install parts correctly.

### **(5) Check the installation condition.**

When the operation check is complete, check the installation as listed below.

[Check items]

- **Check that the clearance of the covers with the product and floor is not too large.**

- **Check that when the product is in operation, the covers do not resonate or vibrate with each other.**

⇒ If you notice any abnormalities, check that the screws are properly tightened, and, if necessary, undo and tighten them.

## After Installation

To prevent accidents during use, be sure to perform the inspections listed below.

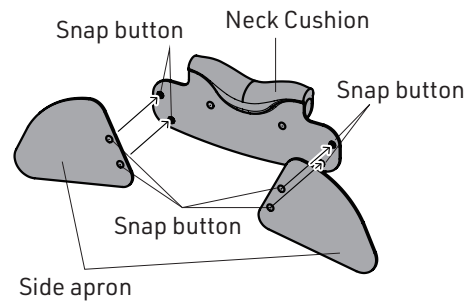
### ■ Inspection items

- (1) Check that all the necessary bolts and screws are used.
- (2) Check that there are no scratches or other abnormalities on the exterior, such as upholstered parts and covers.
- (3) Check that there are no fingerprints or other stains on the exterior, such as upholstered parts and covers.
- (4) Check that the built-in outlet works properly.
- (5) Check that the basin is not cracked or dirty.
- (6) Check that there is no water leakage on the floor.
- (7) Check the product for any backlash.

# Installing the Neck Cushion

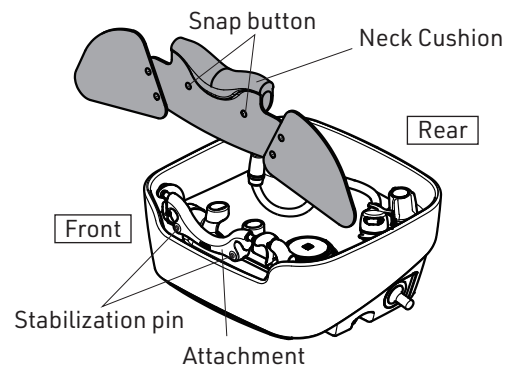
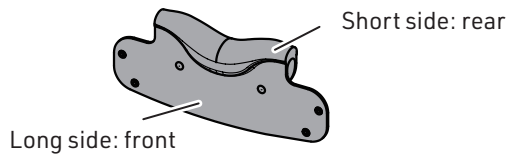
## ■ Install the cushion and aprons.

(1) Align the direction of the side aprons, as shown in the figure, and install the side aprons to the neck cushion.



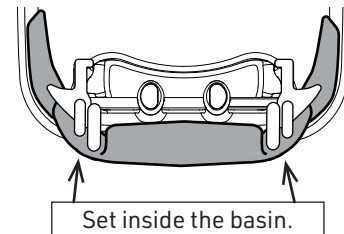
(2) Align the direction of the neck cushion, as shown in the figure, and set the neck cushion to the attachment.

\*Beware of the installation direction.



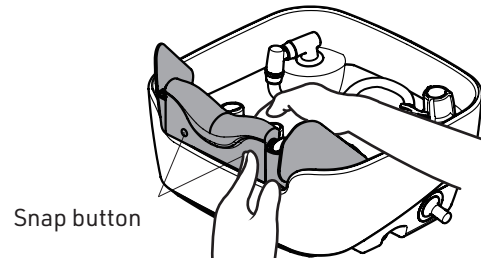
(3) Set the snap button on the chair side of the neck cushion to the fixing pin on the attachment.

The fixing pins are removable. Take care not to lose them.



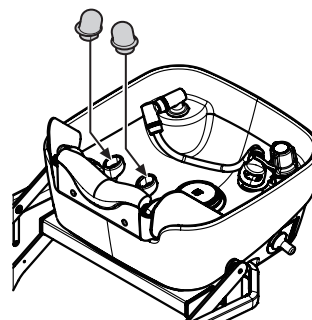
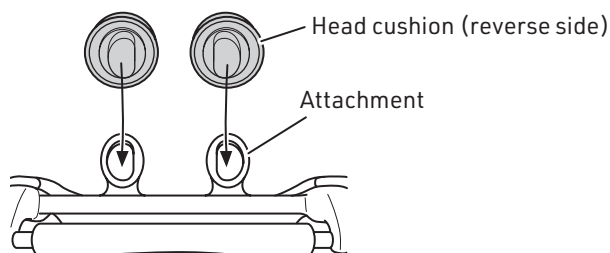
(4) Set the snap buttons on the rear side of the neck cushion to the fixing pins while shaping the neck cushion along the attachment.

Set the snap button on the left side of the neck cushion to the fixing pin on the attachment. Set the snap button on the right side to the fixing pin on the attachment while shaping the neck cushion along the attachment. (Check that the snap buttons are set both on the front and rear sides.)



# Installing the Head Cushions

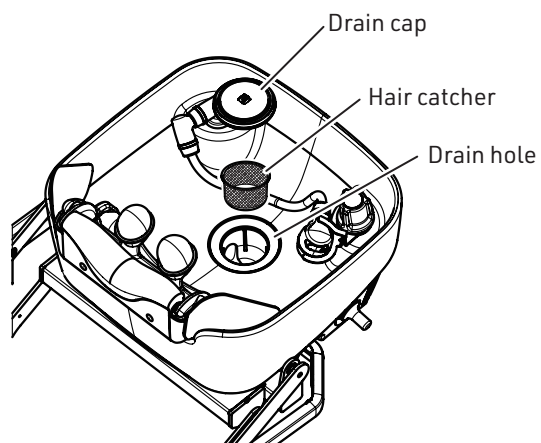
As shown in the figure, align the direction of the head cushions to the attachments, and insert the head cushions.



Request replacement (for a fee) if the head cushions become significantly fouled or their surface deteriorated.  
To replace the head cushions, contact your local authorised Takara Belmont dealer.

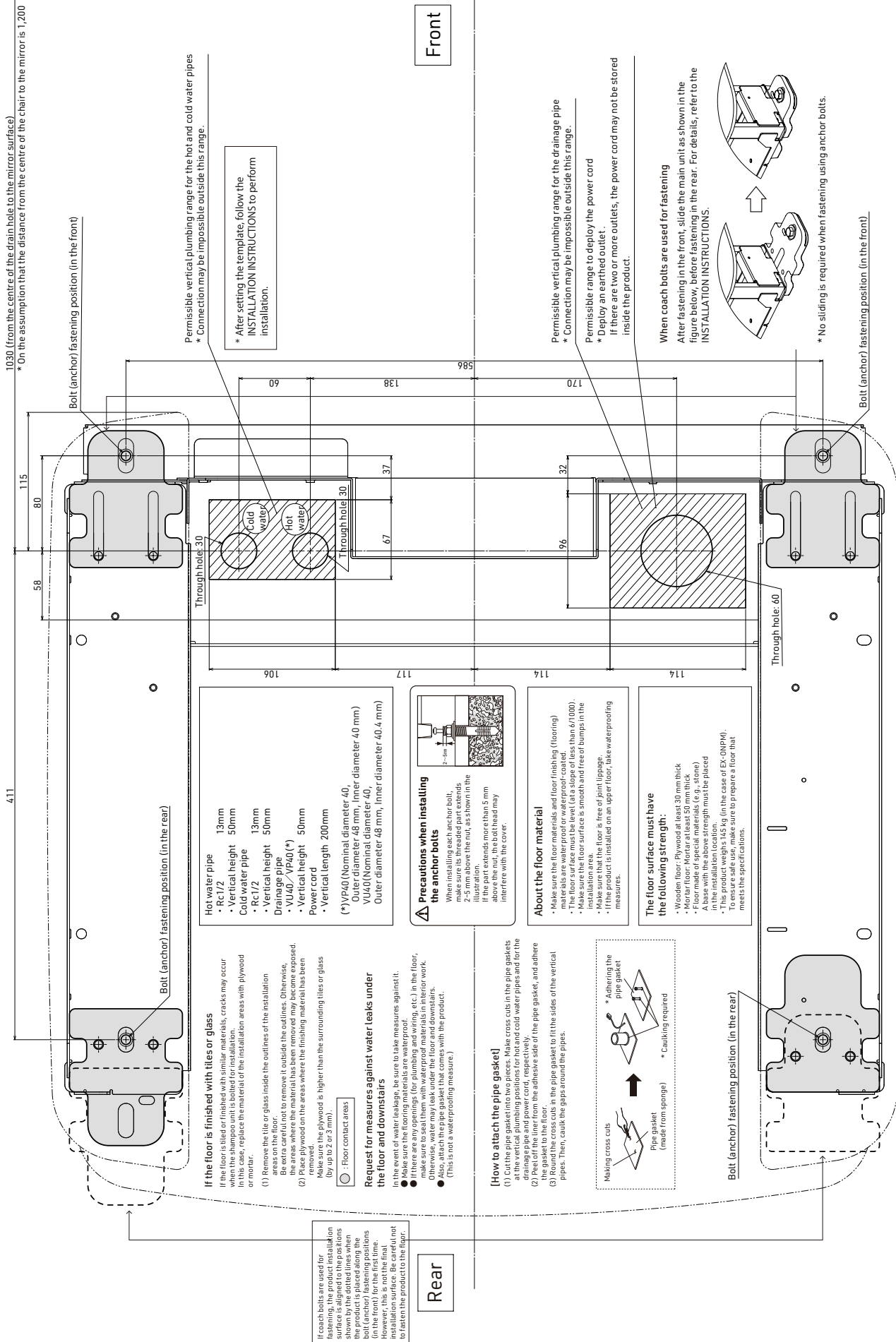
# Installing the Hair Catcher and Hair Trap

As shown in the figure, fit the hair catcher into the drain hole, and place the drain cap on top.





# Product Fastening Location Diagram









**TAKARA BELMONT CORPORATION**

1-1, 2-Chome, Higashi-shinsaibashi, Chuo-ku, Osaka, Japan

TEL : +81-6-6213-5945

FAX : +81-6-6212-3680

Printed in Japan