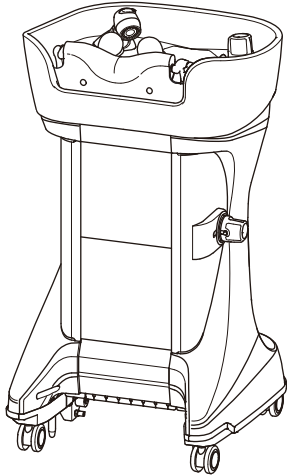


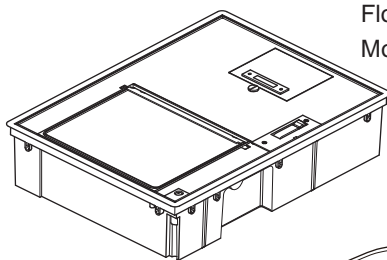
YUME OASIS Installation Instructions



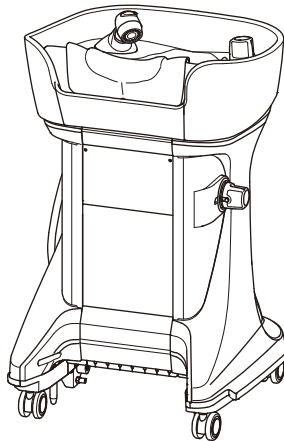
Upper unit
Back Wash Basin
(YUME Basin)
Model No. AY-OAYMYM-*
AY-OAYMYM-*NB

The latter of Model No. is without "NB"

This product is battery specification.
Be prepared for AA size battery
(LR6, 2 pcs)[not included]



Floor unit
Model No. AY-OAYM-F



Upper unit
Side Wash Basin
Model No. AY-OAYMSS-*

The "*" part of the individual Model No.
shown above depends on the product color.

Contents

Before Installation	2
Usage Conditions	5
Preparation Before Installation Of floor unit	6
YUME OASIS Packing	12
Installation Of Floor Unit	13
Piping In Floor Unit	16
Carrying The Upper Unit	18
Connection Check With The Upper Unit	22
Test Water Flow	23
Cleaning And Check Of The Floor Unit	24
Cleaning And Check Of The Upper Unit	25
After Installation	27
Specifications	29
Chair Correlation Dimension	30
M E M O	35

To the installer

- The instructions should be thoroughly read and understood before installation to ensure that YUME OASIS is installed correctly.
- After installation, give these instructions to the customer.

To the customers

- Customers must not install YUME OASIS by themselves.
- Please give us your order of installation. Never install this product by yourself.
- Customers must store these instructions in a safe place so as not to lose them.

※ The actual shape of YUME OASIS and the images and dimensions listed in these instructions may be modified and are subject to change without notice.

The CAUTIONS listed here are to ensure that YUME OASIS can be installed safely, and to prevent and danger or risk to the person installing YUME OASIS or those around them.

All of these CAUTIONS are important for safety. TAKARA BELMONT is not responsible for any damage or risk to the person installing YUME OASIS or those around them due to accidents if YUME OASIS is installed without adhering to the CAUTIONS.

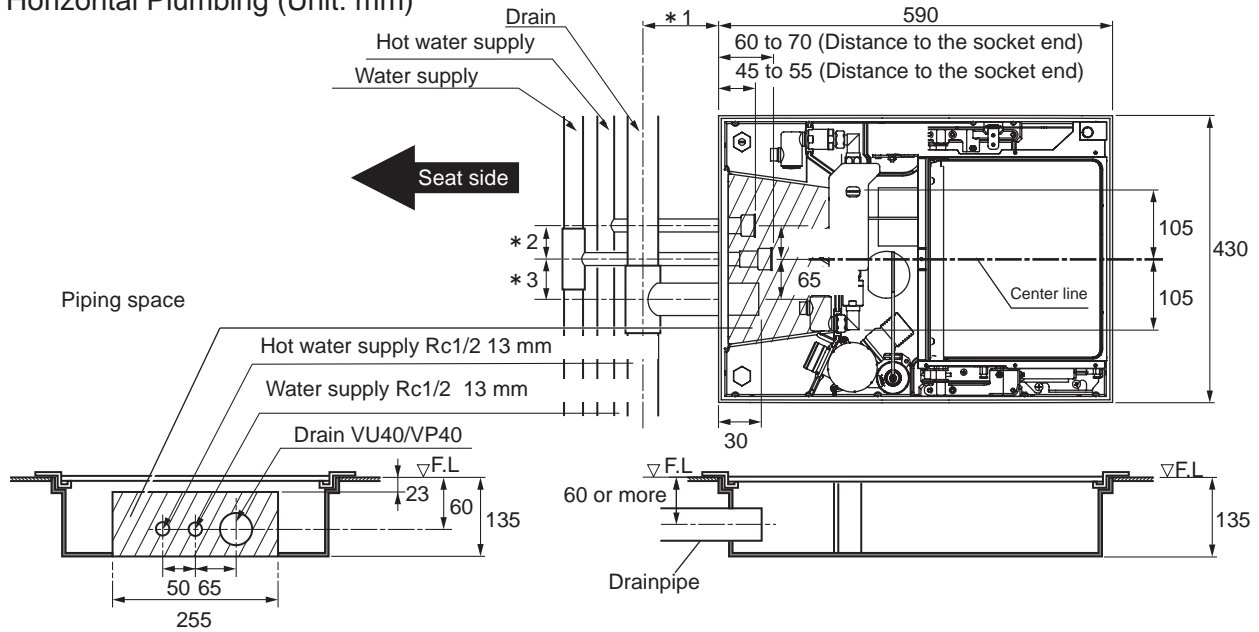


If YUME OASIS is installed after ignoring this symbol, there is the risk of light or moderate injury or physical damage.

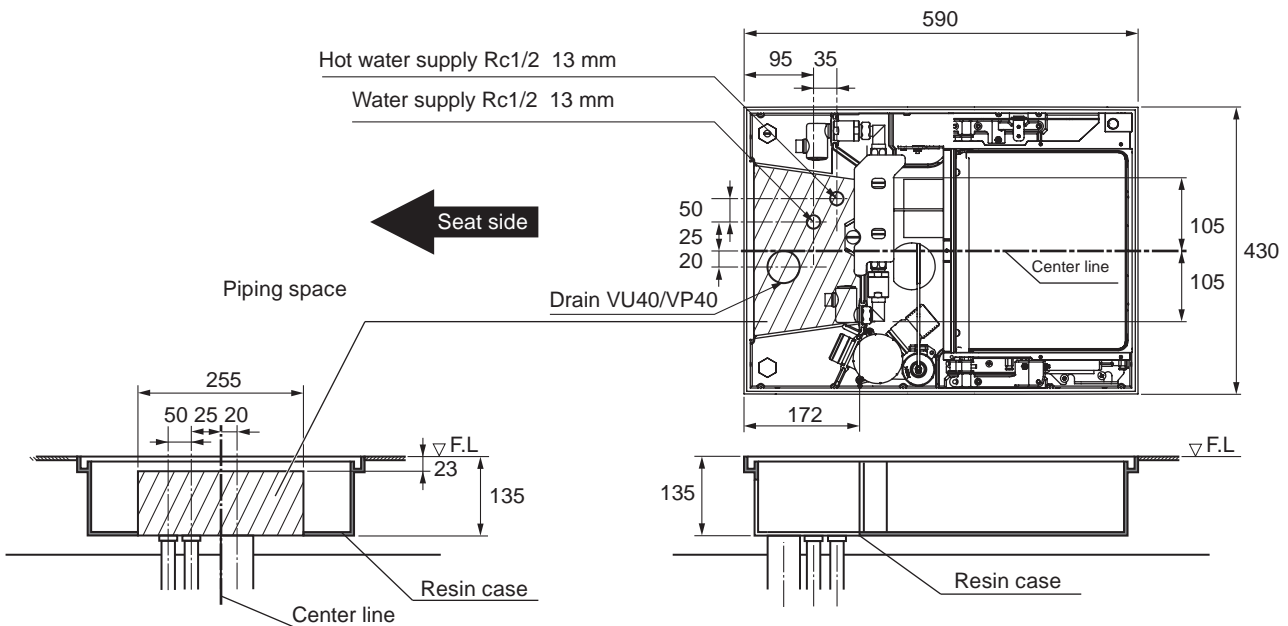
Before Installation

• Plumbing Drawing

• Horizontal Plumbing (Unit: mm)



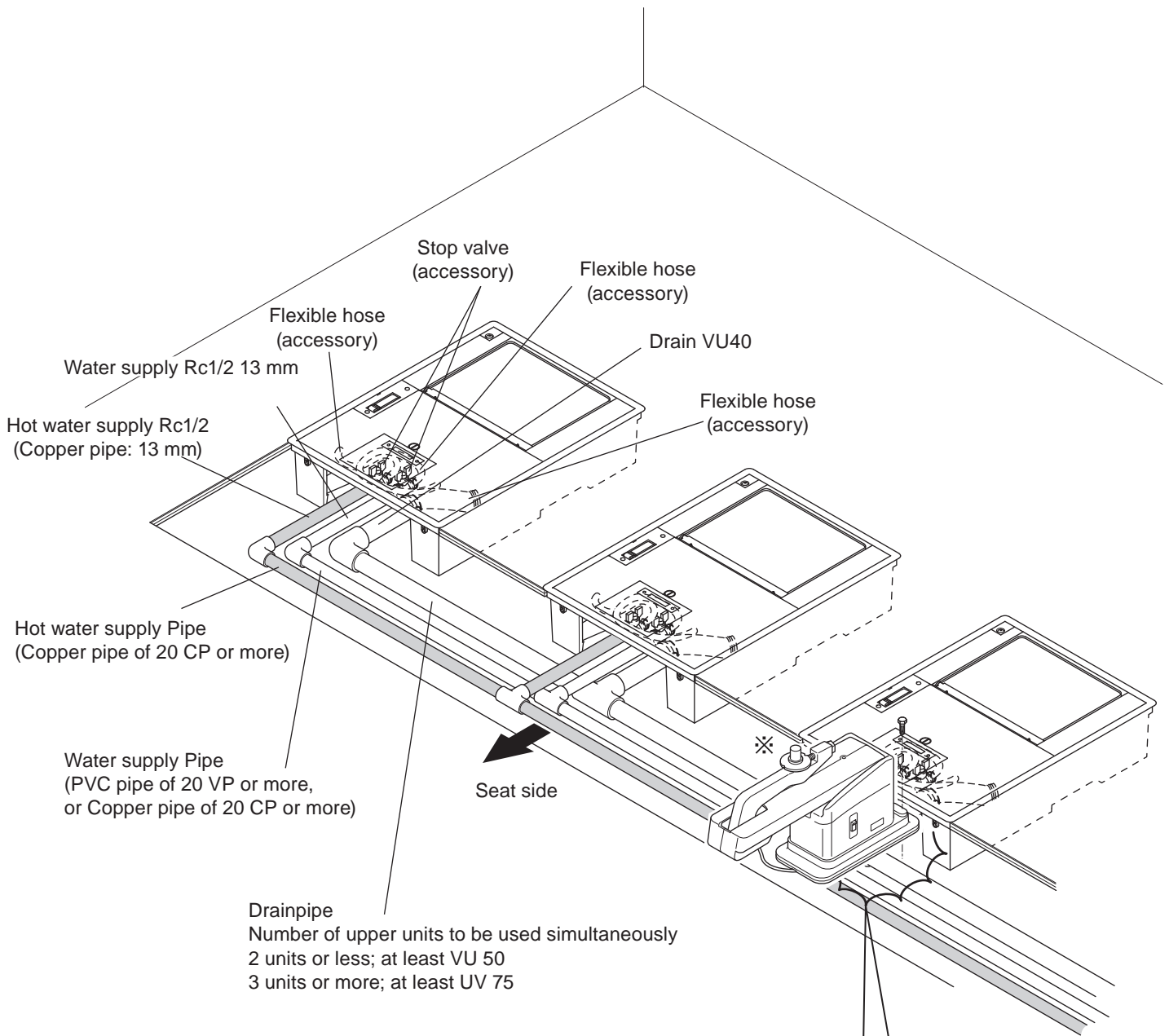
• Vertical Plumbing (Unit: mm)



⚠ CAUTION

- Always ensure the gradient of drain line according to the number of units to be installed as shown on page 4.
- For vertical plumbing, make sure to adjust the top end of the piping to be lower than the lower end of the resin case. The space for attaching the stop valve and for piping connection with the floor unit is necessary in the resin case.
- In general, vertical plumbing is recommended when the floor mount pump is fastened.
(The floor-fastening bolt may interfere with the pipe.)
- If horizontal plumbing is necessary, pay careful attention to the interference with the floor-fastening bolt.
- When the floor mount high locks pump (SP-CH) is fastened onto the floor, be aware of the following dimensions:
 - * 1=350 mm or more
 - * 2=85 mm or less
 - * 3=68 mm or less
- In the case of horizontal plumbing, a floor-fastening type pump such as SP-FM, SP-FT and SP-FD cannot be used because of interference between the pipe and the fastening bolt.

● Plumbing Layout Of Horizontal Plumbing



 CAUTION Pay careful attention to the interference between the floor-fastening bolt and the pipe.

■ Floor Surface

- Ensure that the material or finishing of the floor surface is waterproof or has a waterproof coating applied.
- Always ensure that the floor surface is horizontally level.
- Ensure that the floor surface is smooth and free from bumps around the attachment areas.
- Prevent the step height of floor joint.
- Be sure to use a floor panel of 3 mm thickness.
- Use a hard floor panel made of polyvinyl chloride (PVC) tiles, etc.
- Do NOT use a cushion floor. Using a cushion floor may cause troubles in detaching and attaching the upper unit.
- For installation of upstairs, make sure to take appropriate waterproof measures.
- Do not use a floor panel with significant bumps or dents that disturb transfer of the upper unit.
- Do not use a floor panel that becomes slippery when water is leaking.

■ Water Leakage

Make sure to prevent the water leakage for the worst.

- Use the waterproof material for the floor.
- If the product is installed on the floor above a room, always make sure to take appropriate waterproof measures (waterproofing work, installation of a stainless steel pan, attachment of a leakage sensor, etc.).
- This company will not bear any responsibility whatsoever for water leakage due to the waterproof installation failure.

■ Installation Of Pipes

The following are important points to adhere to during the installation of pipes.

Read through the details carefully and ensure that the pipes are installed correctly.

- When installing this product, ensure that installation of pipes adheres to the instructions outlined in "CAUTIONs during installation of pipes". Installing pipes without reading through the CAUTIONs will mean water may not mix properly, and a set temperature will not be achieved.
- This product is designed for indoor installation. Always install this product indoors.

■ Plumbing

● Diameter of pipes and gradient of drain line

- Use dependent drainage for YUME OASIS only.
- Layout the drain line in a straight line as best as possible.

Number of upper units to be used simultaneously	Diameter of Drainpipe	Gradient of drain line
2 units or less	At least VU 50	At least 1/50
3 units or more	At least VU 75 <CAUTION> Use a drainpipe of appropriate diameter according to the number of units to be installed.	At least 1/100



CAUTION

Make sure that the drainpipe does not have double trapping.
Drain failure or abnormal noises may occur.

● Drainpipe end treatment (Ascending part dimensions)

Refer to the *Plumbing Drawing* on page 2.

■ CAUTIONS During Installation Of Pipes

- Water supply (primary) plumbing
 - In the case of using city water direct pressure line, consult to local contractors designated by the water supply Works Department. Installation must be made in compliance with the plumbing code requirements such as the "Water Supply Works Department Installation Standard", etc. in your area.
 - In the case of using lines other than the city water line (fall supply line from elevated water tank), consult to local contractors designated by the water supply Works Department. Installation must be made in compliance with the plumbing code requirements such as the "Water Supply Works Department Installation Standard", etc. in your area.
- Do not use pipes made of materials that may introduce rust for the water supply Pipe.
In general, VP pipes or other materials specified by regulations in that particular region, are recommended for installation.
- In general, Type L deoxidized copper pipes are recommended for hot water pipes.
- In general, the same diameter and same pressure is recommended for hot water pipes and water supply pipes.
- Always use a reamer to demurred the ends of cut pipes.
- Avoid using inverted U-shaped pipes (siphon) as these can cause air to become trapped.
- Always connect hot water pipes and water supply pipes after removing all contaminants such as dirt, sand and oil as these can cause problems.
- After connecting the pipes and testing water flow, clean the filter and shower head.
- Ensure that the Drainpipe is installed at a gradient of 1/50 for a diameter of $\phi 75$ or less, or 1/100 for a diameter of $\phi 75$ or more.
- Do not connect the hot water pipes and water supply pipes in reverse.
Connecting pipes in reverse will mean the temperature of water cannot be controlled properly by the water taps, which can cause problems including burns.
- Ensure that the hot water pipes from water boilers are only run over a short distance so as to minimize resistance.
Longer pipes can cause fluctuations in temperature and poor hot water delivery.
- Always wrap pipes with lagging material after installation is complete.
- Plumbing particulars for water heater
 - In general, the same diameter and same pressure is recommended for main hot water pipes and main water supply pipes.
 - Contact a professional for installation of water heater.
- Equipment comes with hair trap installed.

Conditions Of Use

■ Hot Water Supply And Water Supply Conditions

Water used	<ul style="list-style-type: none"> • Public water supply (do not use non-drinkable well water or water that contains rust or sand.) • If the water hardness is 80 ppm or higher, install a water softener to prevent the buildup of scale. Aeration may be minimal when using shampoo even if drinkable well water is used, so a water softener should be installed.
Hot water supply, water supply pressure	<ul style="list-style-type: none"> • Use a pressure set between 0.1 to 0.4 MPa (1 to 4 kg f/cm²). • If multiple YUME OASIS are used, ensure that the pressure does not drop below 0.1 MPa (1 kg f/cm²). • Set the water supply pressure \geq hot water supply pressure. • Set the difference between the hot water supply pressure and water supply pressure to within 0.2. MPa (2 kg f/cm²).
Hot water supply temperature	<ul style="list-style-type: none"> • Set the hot water temperature to 80°C or less. • Set the temperature 10°C or higher than the shower temperature used.
Hot water temperature into the product	<ul style="list-style-type: none"> • For a water heater, TAKARA simultaneous hot water supply system "DANRYU" for barber and esthetic salon is recommended. Refer to the installation manual of "DANRYU" for installing "DANRYU." • When using an instantaneous water heater, the equivalence of No. 16 or better is recommended. (Shampoo capacity equals to one unit of RS OASIS per one unit of instantaneous water heater.) • When using a hot water storage system boiler, refer to the installation manual of the boiler. • A high temperature fluid (steam) that is hotter than the hot water supply specified above may damage the hot water supply pipe. <p>Do not connect the hot water supply pipe with a steam generator to cause high temperature steam.</p>

Preparation Before Installation Of Floor Unit

There are two preparation methods for installation; "Mortar Bury Method" and "Composite Panel Platform Method". Select either of the methods according to the installation site conditions.

Refer to the following procedure for *Mortar Bury Method*, and refer to page 9 for *Composite Panel Platform Method*.

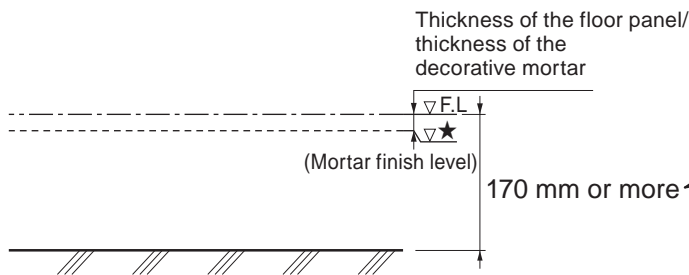


In the case of the mortar bury method, a wooden form and a bury frame (our optional item) are required.

■ Mortar Bury Method

1 Marking

Mark the floor level (F.L.) and the mortar finish level (★).



Consider the thickness of the decorative mortar when the floor panel thickness is determined if floor panels are not laminated but the floor is finished with mortar.

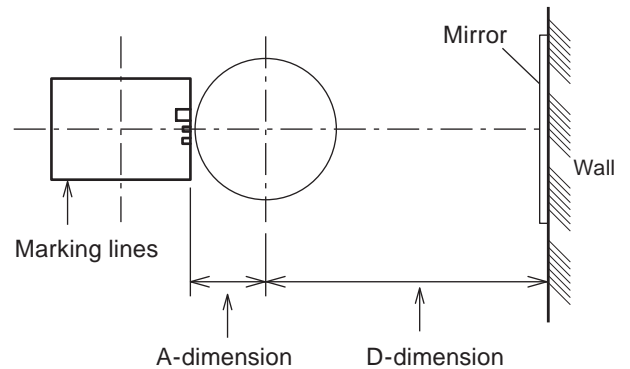


Always ensure the gradient of drain line according to the number of units to be installed as shown on page 4.

2 Marking (Installation position)

Refer to the *Chair Correlation Dimension* (on pages 30 to 34) and mark the position to place the floor unit. (The A-dimension and the D-dimension depend on the chair to use and the reclined posture.)

Rule lines as many as possible so that you can see the layout of the water supply Pipe, the hot water supply Pipe and the drainpipe and the floor unit position.

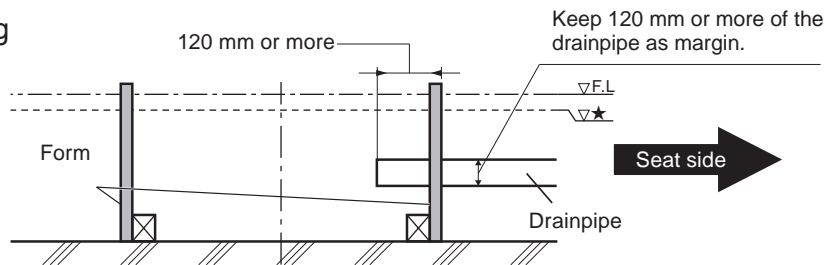


3 Installation of form

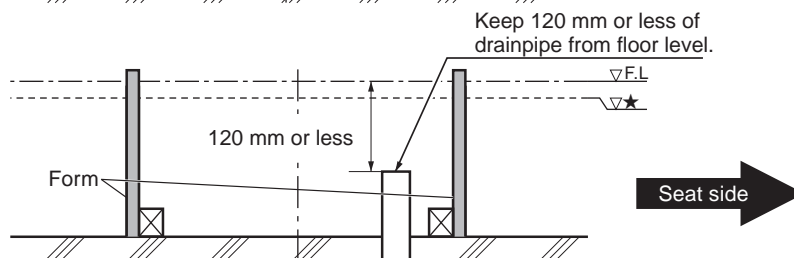
Install a wooden form for pouring mortar.

Align the center of form and floor unit marked in Step 2, and then install those.

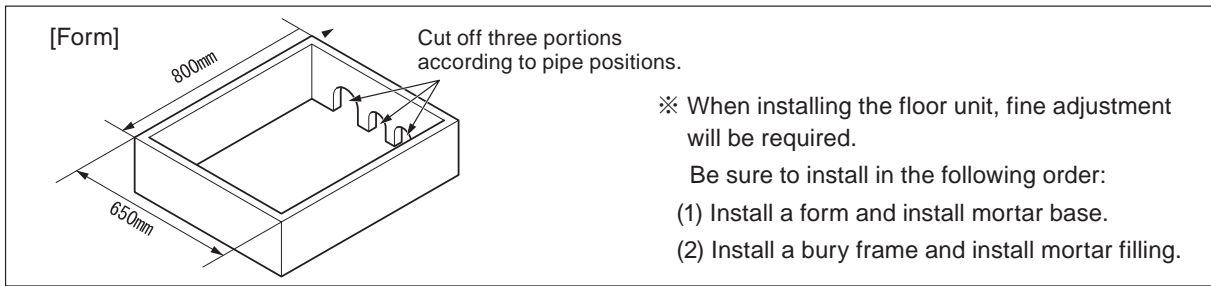
● Horizontal plumbing



● Vertical plumbing



Make sure that the drainpipe does not have double trapping. Drain failure or abnormal noises may occur.



※ When installing the floor unit, fine adjustment will be required.

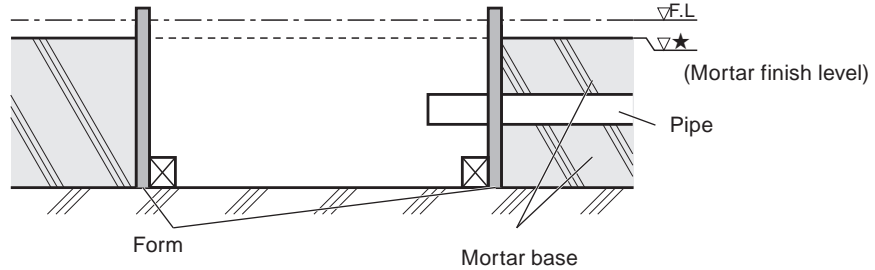
Be sure to install in the following order:

- (1) Install a form and install mortar base.
- (2) Install a bury frame and install mortar filling.

Mortar Base

4 Installation of mortar base

Install mortar base.

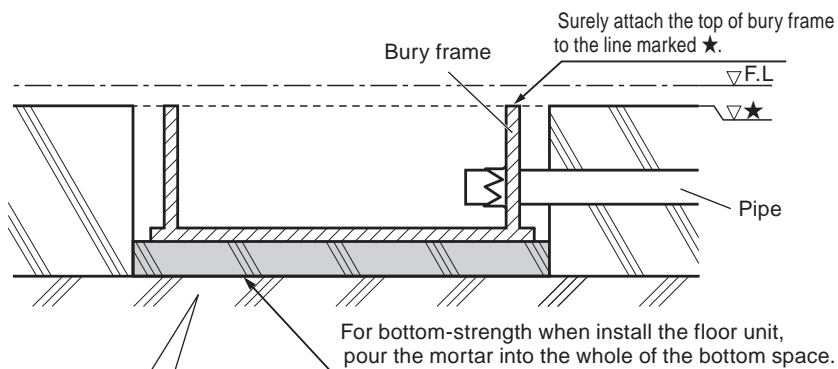


5 Removal of form, Installation of bury frame, and Installation of mortar base

1. Remove the form, and then install the bury frame of floor unit to the position where marked in Step 2.

※ Please use our standard bury frame as a bury frame. (optional)

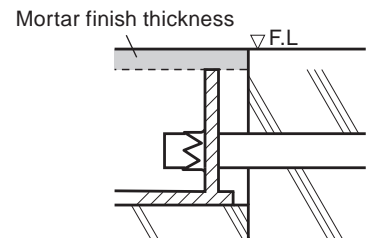
※ Attach the white top of bury frame to the top face of the Mortar finish level (★).



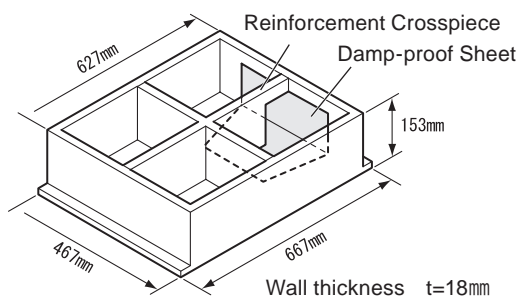
For bottom-strength when install the floor unit, pour the mortar into the whole of the bottom space.

CAUTION

If floor panels are not laminated but the floor is finished with mortar, it is always required that the top end of the mortar work form is also finished with mortar.



【Wall thickness: EA-OAFWYM (optional item)】

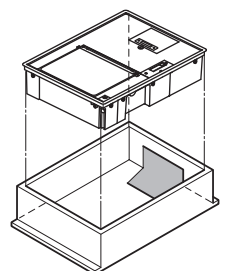


CAUTION

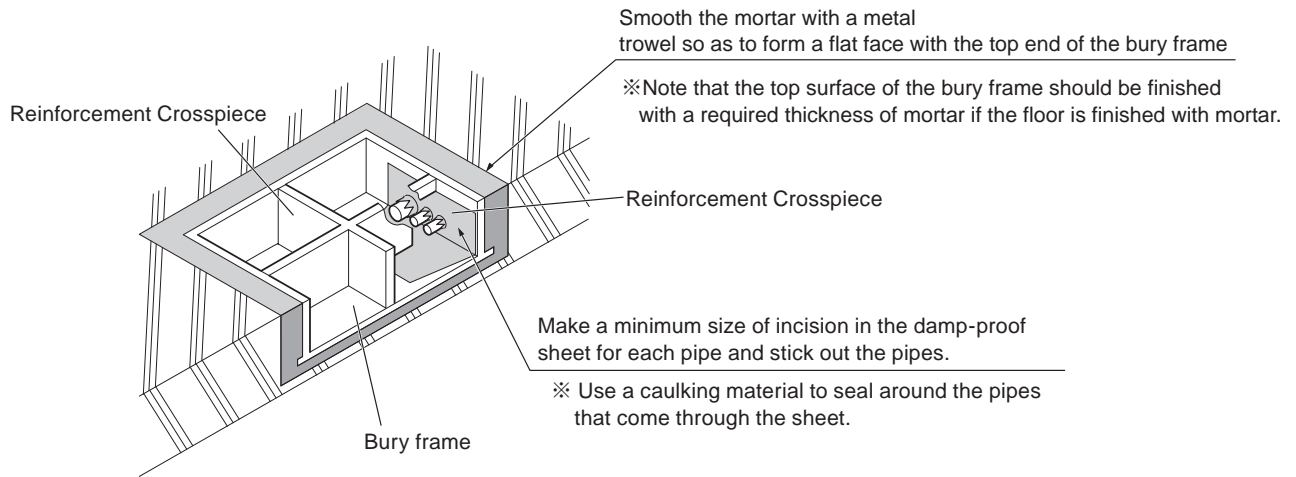
- Do not remove the reinforcement crosspiece until the mortar filling is dried. The bury frame may bend and prevent the resin case of floor unit from fitting.
- Do not remove the damp-proof sheet. It prevents the moisture of mortar from entering the floor unit.

※ Floor units installed into the bury frame.

(After the bury frame is installed and the floor is completely finished, the floor unit is installed.)



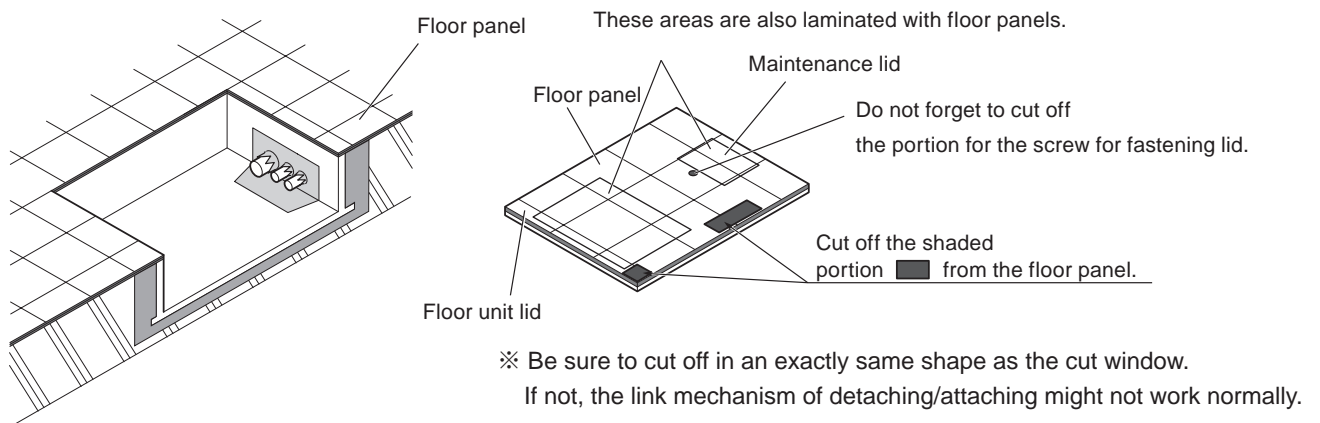
2. Install mortar filling so as to level the surface with the top end of the bury frame.



6 Finishing of floor surface (finishing of floor unit lid)

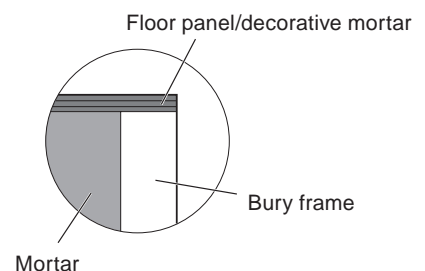
Laminate a floor panel of 3 mm thickness on the floor and the floor unit lid.

Contact an expert agency in advance for lamination of floor panels.



⚠ CAUTION

- Laminate a 3 mm thick floor panel on the floor and the floor unit lid.
If a different thickness is applied, normal detachment/attachment or shower outlet may be disturbed.
- Use a hard floor panel made of PVC tiles, etc.
Do NOT use a cushion floor.
Using a cushion floor may cause troubles in detaching and attaching the upper unit.
- Laminate the floor panels so that the top end of the white bury frame is hidden and trim them to the opening.



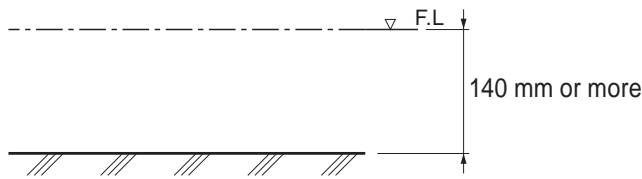
- ※ When wood flooring or tiles are used around the openings, select a material equal to or thinner than 12 mm.
Otherwise, the floor unit cannot be secured.
- ※ Even in the case of the installation site with wood flooring or tiles used around the openings, laminate 3 mm thick hard floor panels made of PVC tiles.
- ※ For the floor panels to laminate, the optional YUME OASIS floor panel kit is available in two colors.
Place another order if necessary.

Preparation for installation is completed. Go to *Installation Of Floor Unit* on page 13.

■ Composite Panel Platform Method

1 Marking (floor level)

Mark the floor level (F.L.)



CAUTION

Always ensure the gradient of drain line according to the number of units to be installed as shown on page 4.

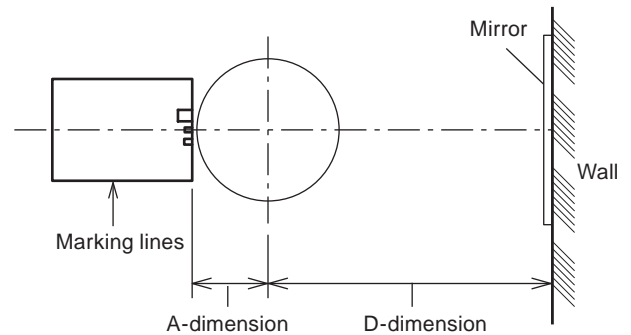
2 Illustrates the markings (installation position), the support legs and the base panel and mark the position to place the floor unit.

Refer to the *Chair Arrangement Correlation Dimension* (on pages 30 to 34) that illustrates the markings (installation position), the support legs and the base panel and mark the position to place the floor unit.

(The A-dimension and the D-dimension depend on the chair to use and the reclined posture.)

As for markings, rule lines as many as possible so that you can see the layout of the water supply Pipe, the hot water supply Pipe and the drainpipe and the floor unit position.

Arrange the support legs and the floor base panel at this timing.



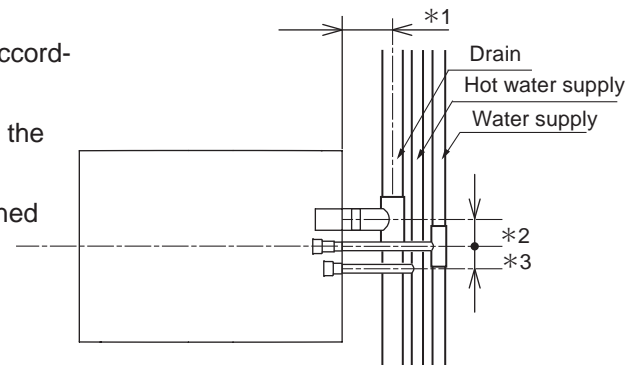
3 Piping

Lay pipes to meet the floor unit position marked in Step 2 according to the *Plumbing Drawing* on page 2.

For plumbing, check the position of the support legs to hold the floor in advance and avoid the position to lay the pipes.

※ When the floor mount high rocks pump (SP-CH) is fastened onto the floor, pay attention to the following dimensions:

- * 1 = 350 mm or more
- * 2 = 85 mm or less
- * 3 = 68 mm or less



CAUTION

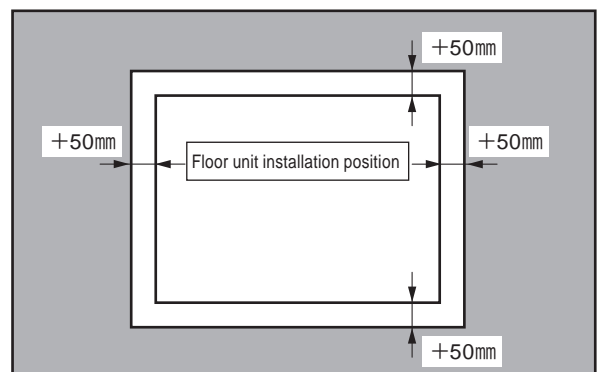
Make sure that the drainpipe does not have double trapping. Drain failure or abnormal noises may occur.

4 Laying the subflooring material

Before laying the subflooring material, cut off the opening in the floor base panel for the unit attachment position.

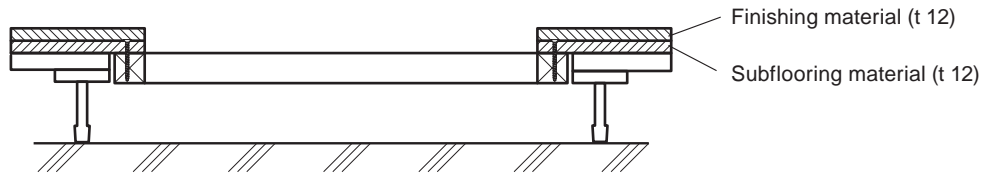
Check the flexural level of the floor base panel with the opening and place additional support legs.

※ Cut the panel + 50 mm larger around the attachment position.

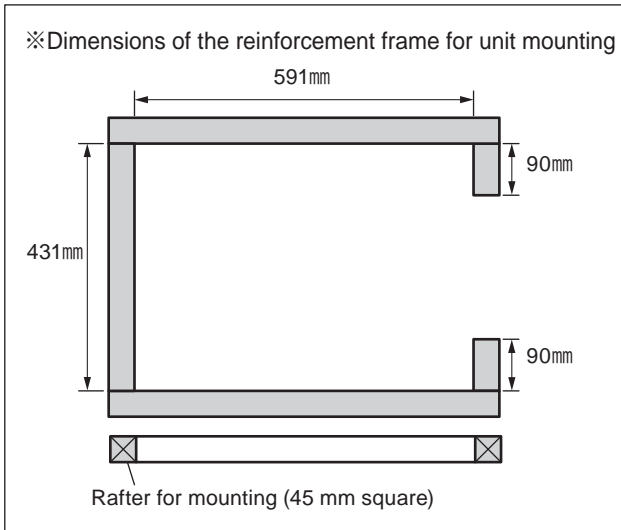


5 Lamination of floor panels

After laying the subflooring material and the finishing material on the base, attach the reinforcement frame for unit mounting onto the back surface of the subflooring material.



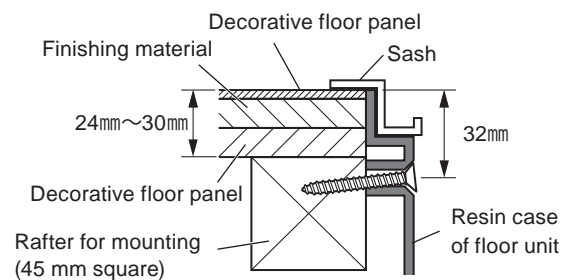
※ Check the flexural level of the floor base panel again and place additional support legs under the reinforcement frame if required.



⚠ CAUTION

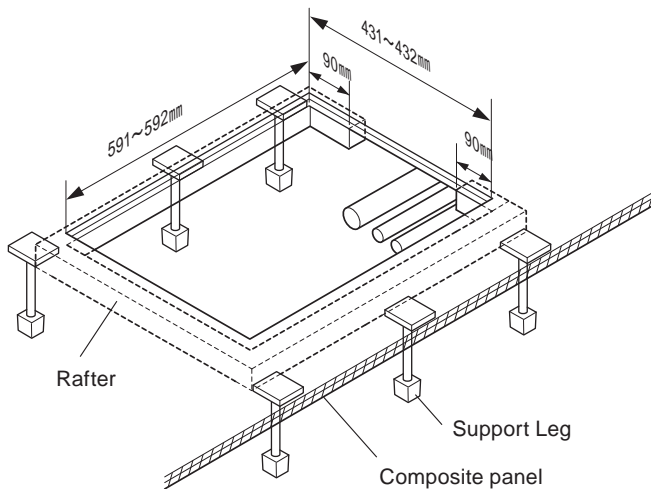
The floor unit is fastened by machine screws at 32 mm high from the floor level.

Make sure to arrange the rafter for fastening at the height.



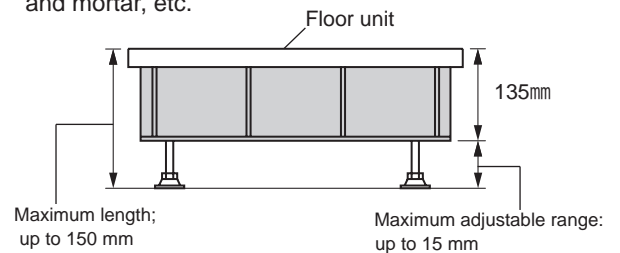
• Machine screws for use (packaged with floor unit)
 ø3.8 x 51 Coarse-led (SUS)

[Illustration of rafters]



※ The adjustable range of floor unit is up to 150 mm from floor level.

For raising the floor level over 150 mm, provide a base inside of the reinforcement frame with rick, block, and mortar, etc.

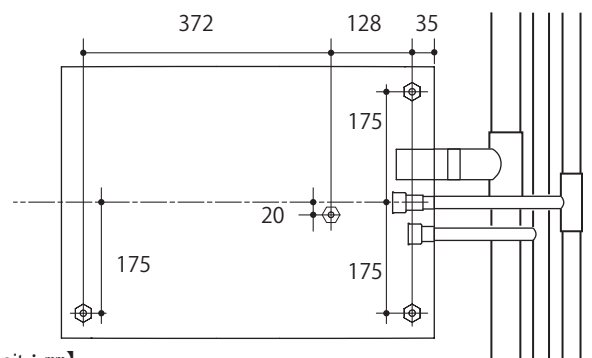


※ Do NOT use wood for the base.

The level adjusters may sink down.

※ If the base is unstable, securely fix it using mortar or glues.

※Adjuster Position

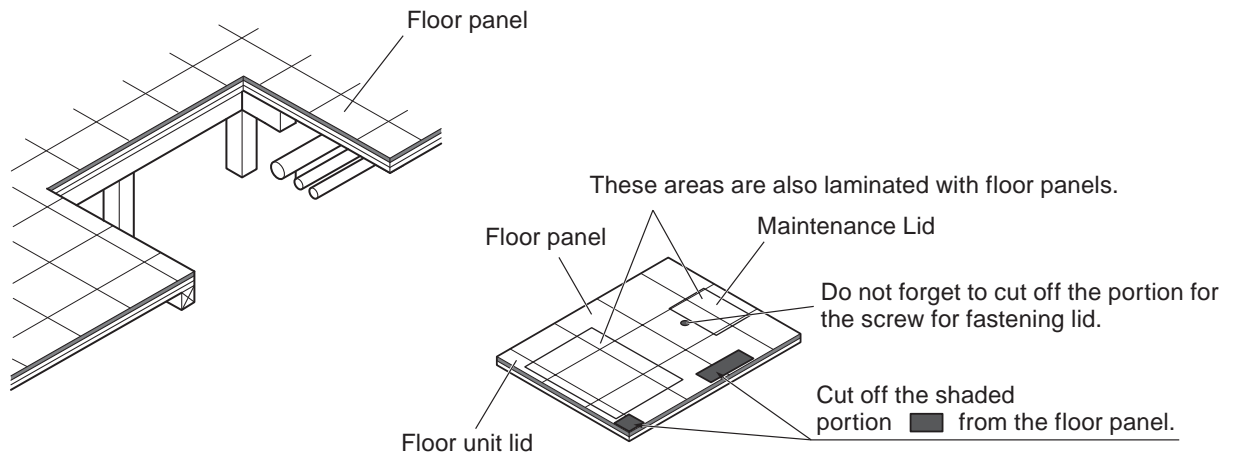


【Unit : mm】

6 Finishing of floor surface (finishing of floor unit lid)

Laminate a floor panel of 3 mm thickness on the floor and the floor unit lid.

Contact an interior agency in advance to complete the lamination of the floor panel before installation of the floor unit.



※Be sure to cut off in an exactly same shape as the cut window.

If not, the link mechanism of detaching/attaching might not work normally.

CAUTION

- Laminate a floor panel of 3 mm thickness on the floor and the floor unit lid.
If not, normal detaching/attaching or shower outlet may be disturbed.
- Use a hard floor panel made of PVC tiles, etc.
- Do NOT use a cushion floor.
Using a cushion floor may cause troubles in detaching and attaching the upper unit.
- Laminate the floor panels so that the top end of the white bury frame is hidden and trim them to the opening.

※ When wood flooring or tiles are used around the openings, select a material equal to or thinner than 12 mm.

Otherwise, the floor unit cannot be secured.

※ Even in the case of the installation site with wood flooring or tiles used around the openings, laminate 3 mm thick hard floor panels made of PVC tiles.

※ For the floor panels to laminate, the optional YUME OASIS floor panel kit is available in two colors.

Place another order if necessary.

Preparation for installation is completed. Go *Installation Of Floor Unit* on page 13.

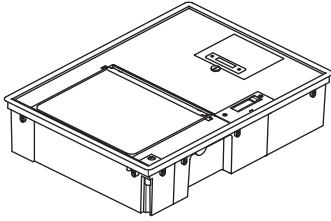
YUME OASIS Packing

■ YUME OASIS Packing

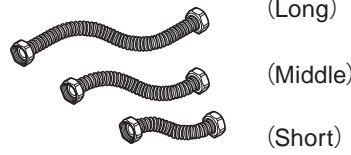
Tick the boxes below to confirm that all contents are provided.

● Floor unit

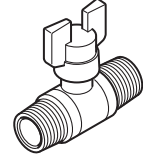
- Floor unit main body ...1



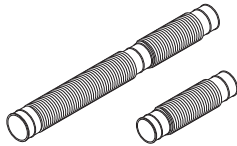
- Flexible pipe (long/middle/short and for hot water/water supplies)...1 (for each)



- Stop valve...1 (for hot water/water pipes)...2



- Drainpipe hose (long/short) ...1 (for each)

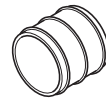


- Stopper ring for drain hose (large/small) ...1 (for each)



Drainpipe side Floor unit side

- Drain hose packing (large/small) ...1 (for each)



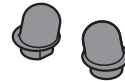
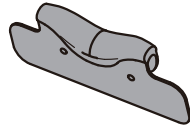
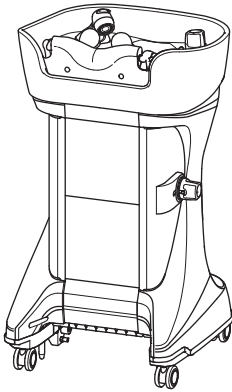
- A set of machine screws (for fastening floor unit/attaching sash)
Φ3.8x32...12
Φ3.8x51...12
Cap Nut M10...1

- Release lever cap.....1 (spare)
- Installation Manual (this document)



● Upper unit of Back Wash Basin (YUME Basin)

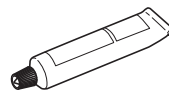
- Upper unit main body...1 (image is EX-OAYMYM.)
- Neck cushion...1
- Head pillow ...a set of two pillows (a set is spare)
- Hair trap...1



- Drain cap...1

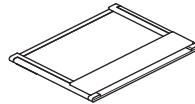


- Grease...1

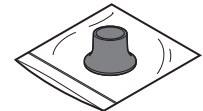


- Instruction Manual
- Tickle stopper rubber Instruction Manual

- Surface water travel prevention cloth...1

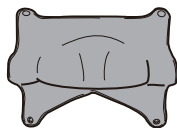
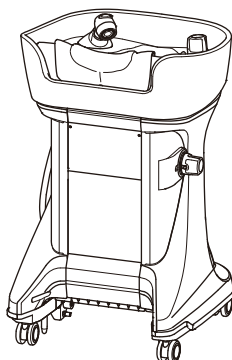


- Tickle stopper rubbers...2 (one spare)

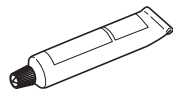


● Upper unit of Side Wash Basin

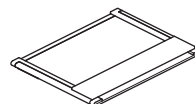
- Upper unit main body...1 ((image is EX-OAYMYM.))
- Neck cushion...1
- Neck core...1
- Hair trap...1
- Drain cap ...1



- Grease...1



- Surface water travel prevention cloth...1



- Instruction Manual

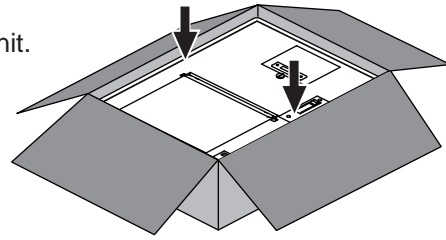
1

Installation Of Floor Unit

※ A wrong installation procedure of this product may prevent proper installation of the basin body or the chair body.
Make sure to follow the installation procedure below:

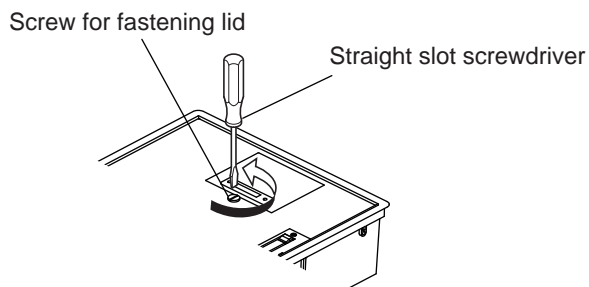
1 Take out the floor unit from the packing.

Hold the sections indicated by the arrows ↓ to take out the unit.

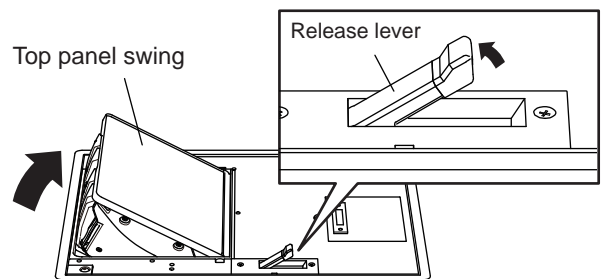


2 Remove the top panel.

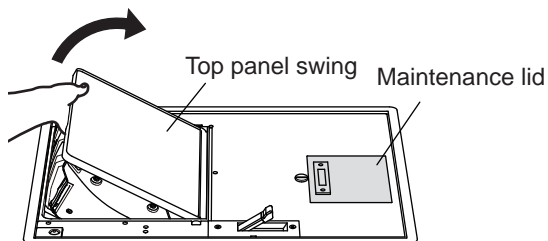
1. Use a straight slot screwdriver to completely loosen the screw for fastening lid.



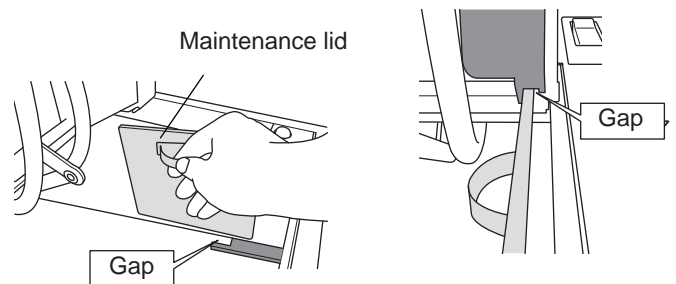
2. Pull the release lever upward to open the top panel swing.



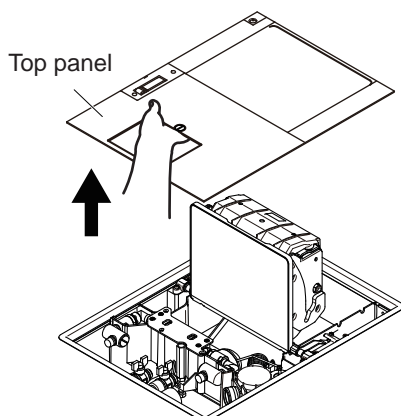
3. Hold the handle part of the top panel swing to open the top panel swing to right angle.



4. Remove the maintenance lid and insert it into the gap of the opened top panel swing.



5. Hold the opening generated by removing the maintenance lid and lift the top panel upward.



6. Take out the accompanying items from the inside.

3 Fitting the floor unit into the floor

Hold the rotational shaft of the top panel swing and the sash, and then fit the floor unit into the following parts;

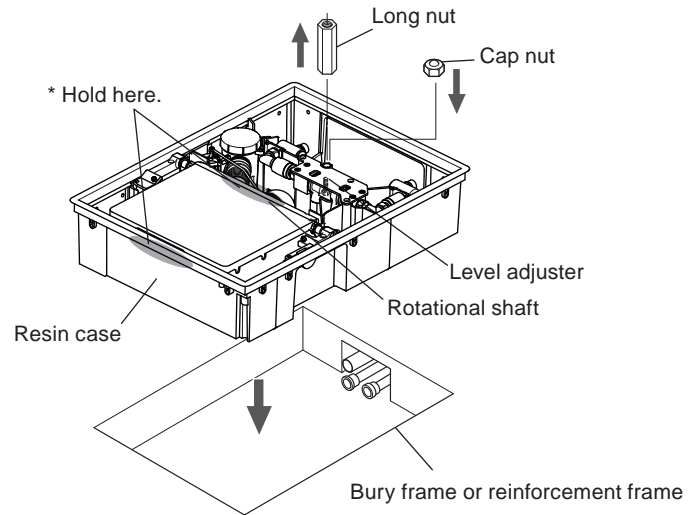
- Mortar bury method; bury frame
- Reinforcement composite panel platform method; reinforcement frame

POINT 1

To hold the rotational shaft which close to the center, you can insert slowly and stably to the bury frame or reinforcement frame.

POINT 2

Use a Cap Nut for adjustment of adjuster.



CAUTION

Always make sure that there is no gap between the sash and the floor surface. If there is a large gap between the sash and the floor panel, check for the adjuster hitting the bottom.

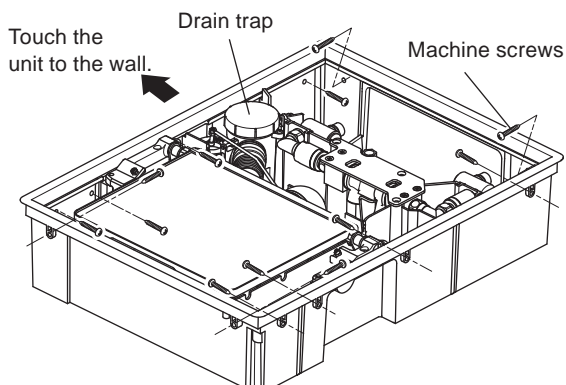


4 Fastening floor unit

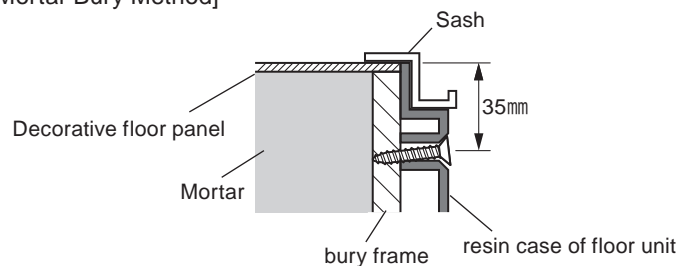
Apply machine screws to the resin case of the floor unit and fasten the screws to fit the case to the bury frame or the reinforcement frame. (12 points)
Fasten the unit from the drain trap side as shown in the image below.
If a screw is difficult to turn into the rafter, orient the screw obliquely downward to fix.

CAUTION

Make sure to fix resin case of floor unit with the side of drain trap on the wall when fixing one. Failure to follow this instruction may cause difficulty to close the top panel.

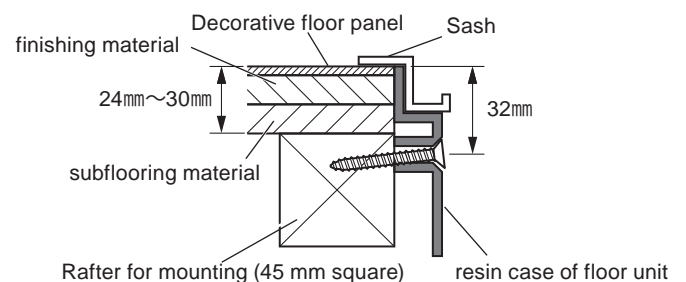


[Mortar Bury Method]



- Machine screws for use (packaged with floor unit)
ø3.8 x 51 Coarse-led (SUS).

[Composite Panel Platform Method]

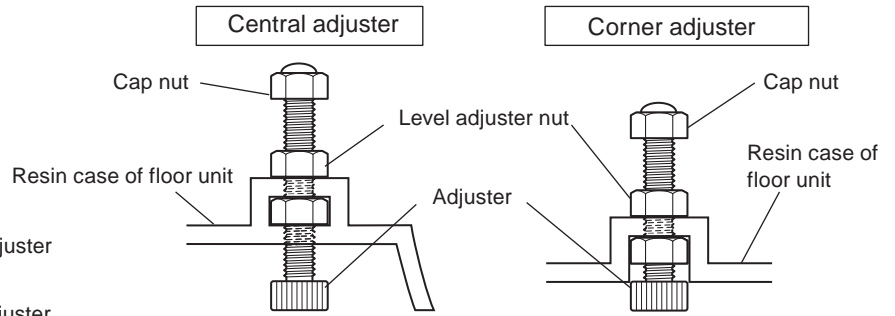
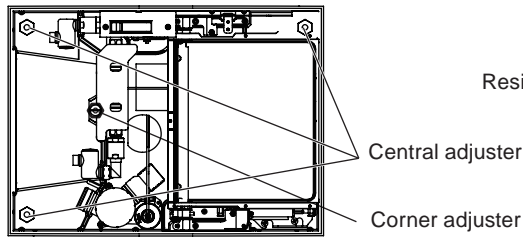


- Machine screws for use (packaged with floor unit)
ø3.8 x 32 Coarse-led (SUS).

5 Adjust the adjuster

1. Loosen the level adjuster nut.

[Resin case top view]



2. Use a nut driver or a wrench to turn the adjuster for level adjustment.

Do not use an electric tool. It may cause damage.

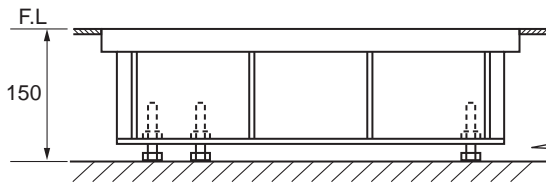
(Arrange the adjuster so that it reaches the floor surface.)

POINT 1

To turn the Level adjuster nut clockwise by a box or wrench, loosen the nut.

POINT 2

The deep of adjuster is minimum at factory shipping.
Tighten the adjuster to the floor for adjustment.



CAUTION

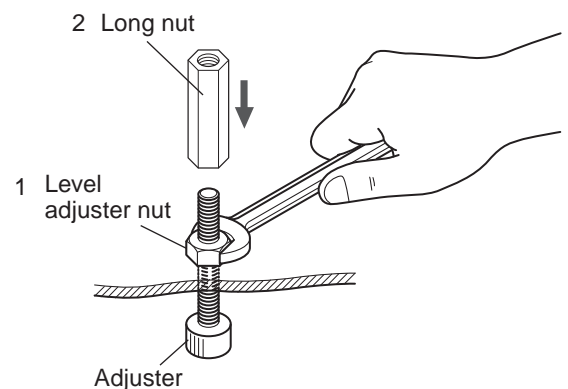
Arrange the adjuster so that it surely reaches the floor surface of the frame. Otherwise, detachment/attachment of the upper unit may be disturbed or the top panel may bend.

Note

- The height is adjustable by the level adjusters of the floor unit up to 150 mm.
For adjustment exceeding 150 mm, provide a base of brick, block, and mortar, etc. inside of the reinforcement frame to raise the level.
- For level adjustment of the corner adjuster, it is convenient to use a nut driver or a deep socket with the distance across flats of 17 mm.

3. Fasten the Level Adjuster Nut.

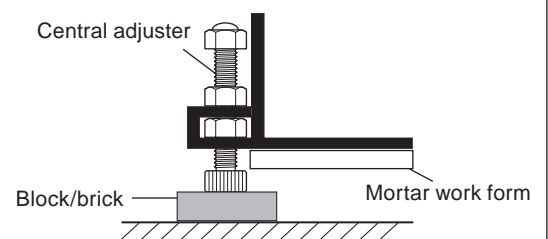
- ※ Use a wrench to hold the adjuster and the cap nut in order to prevent rotation of the adjuster while tightening the adjuster nut.
- ※ Make sure to fasten the central adjuster using the long nut after completion of adjustment.



CAUTION

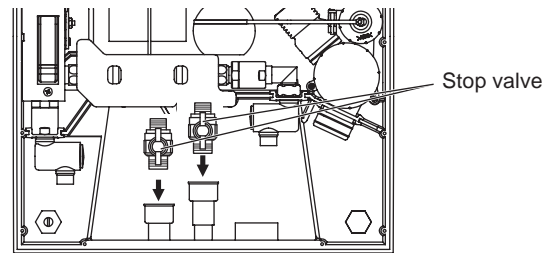
In the case of replacement with existing RS OASIS (use of the mortar work form), adjust the central adjuster to reach the mortar floor surface.

If the adjuster cannot reach the floor or the mortar surface is sandy, lay bricks or blocks to make the adjuster reach it.



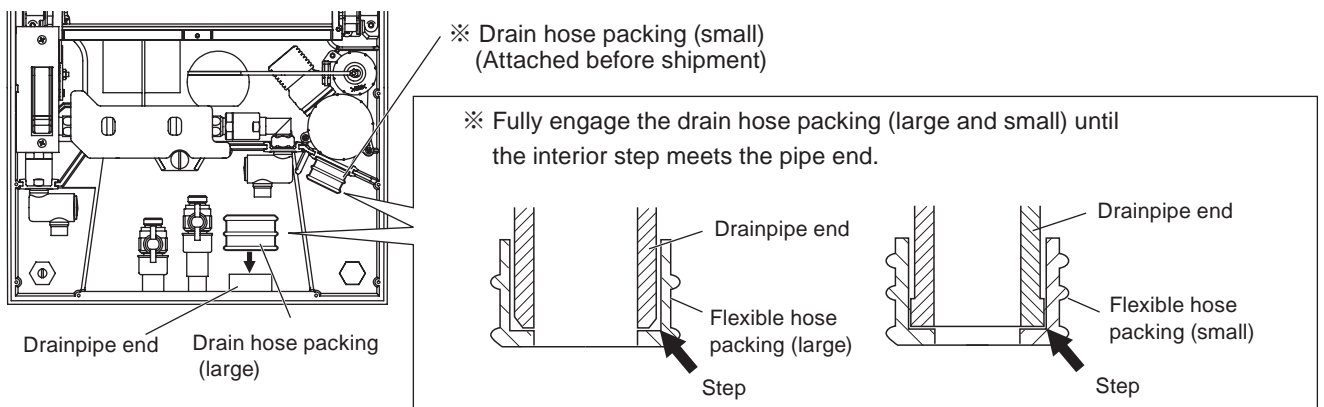
1 Attachment of stop valve

1. Confirm that the ascending part of the pipe is in accordance with the plumbing drawing.
2. Attach the stop valve to the pipes for hot water supply and water supply.
Attach the stop valve so that its knob faces upward.



2 Attach the drain hose

1. Attach the drain hose packing (large) to the drainpipe end (VU40).



2. Attach the flexible hose (small)

Point 1

The drain hose may be too short if the pipe position is not proper.
Use the supplied drain hose (long) for the connection.
The drain hose (long) can be cut at the dashed line position.
Use an appropriate hose depending on the required length.

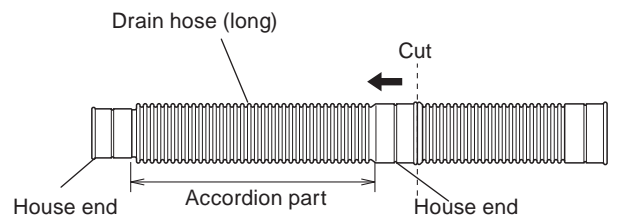
- ※ Check the distance between the drain trap and the drainpipe carefully before cutting the flexible drain hose.

Point 2

Put the flexible drain hose through the stopper rings for flexible hose (large and small) in advance and connect it to the drain trap and the drainpipe.

Point 3

If the drainpipe end position is extremely deviated, it is recommended to use the elbow joint for VU40 to shift the end position.
(Prepare the elbow joint in advance.)



CAUTION

Make sure to hold the house end when you attach the drain hose.

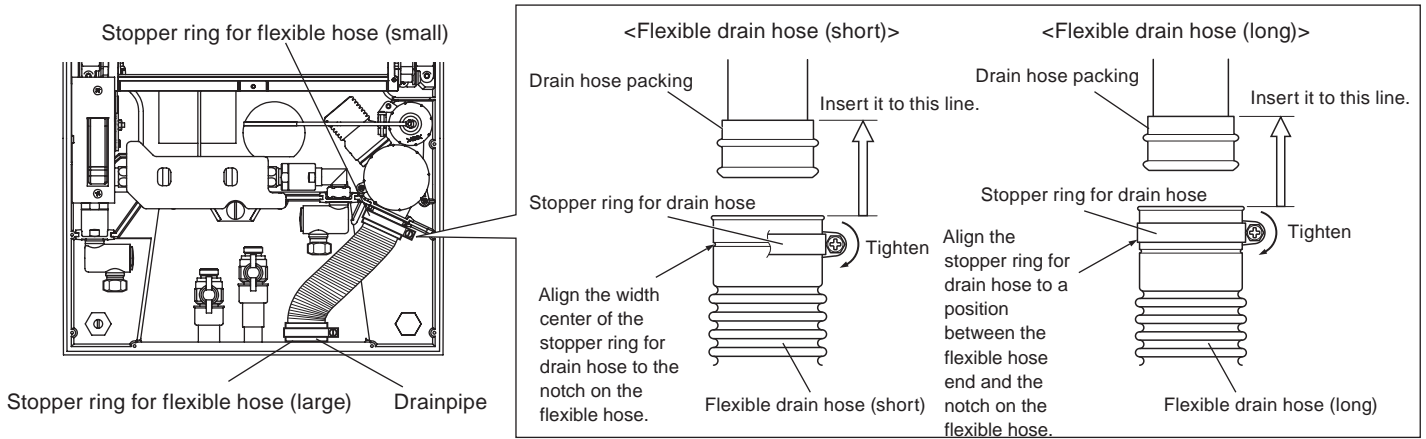
If you hold the accordion part of drain hose, the hose may be damaged and it may cause the drainage failure or broken.

CAUTION

- Check for any kink to disturb the flow of the drain hose and any scratches and breaks on the surface. The flow of the drainage can be interrupted or the drain hose can be broken, causing water leakage.
- Check that the stopper ring for drain hose is surely fastened.
If not, leakage or slip-off of the drain hose may occur.
- Check for double-trapping. It reduces the flow of drainage.
In the case of double-trapping, check the installation position of the basin body and the ascending part dimensions of the pipes and adjust them again.

3 Fasten the screws of the stopper ring for drain hose.

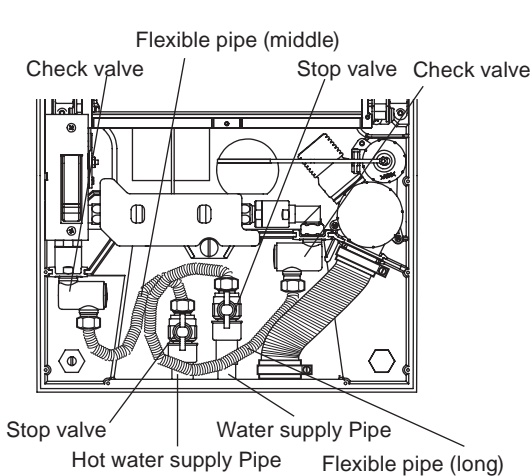
※ Tightening too hard may damage the flexible drain hose. Do not tighten too hard.



CAUTION The end of the drain trap is processed for prevention of the hose from slipping off. Ensure that the stopper ring for drain hose is not fastened over the thick end of the hose end. It may cause leakage.

3 Attach the hot water supply Pipe and the water supply Pipe

Attach the flexible pipes (for hot water/water supplies) and the stop valves to the check valves and hot water/water supply pipes of the floor unit.



(This image shows horizontal plumbing.)

CAUTION

- Always connect the pipe after removing all contaminants on the pipe
- Always attach the supplied packing. Using YUME OASIS without installing the supplied packing may cause water leaks.
- Do not connect the hot water supply Pipe and water supply Pipe in reverse.
- Bend the flexible pipe at the largest bend radius as possible. An extremely small bend radius increases the pipe resistance, causing faulty shower outlet.
- Pay attention to the route of the flexible pipe for handle operation of the stop valve.

1. Bend the flexible pipe to suit the position of the filtered check filtered check valve.
2. Insert the supplied packing to the flexible pipe and attach to the check valve with the strainer.
3. Insert the supplied packing to the flexible pipe and attach to the stop valve.
4. After plumbing, check that the packing fit on the wall has not been moved. If it is moved, hold down the packing again.

CAUTION

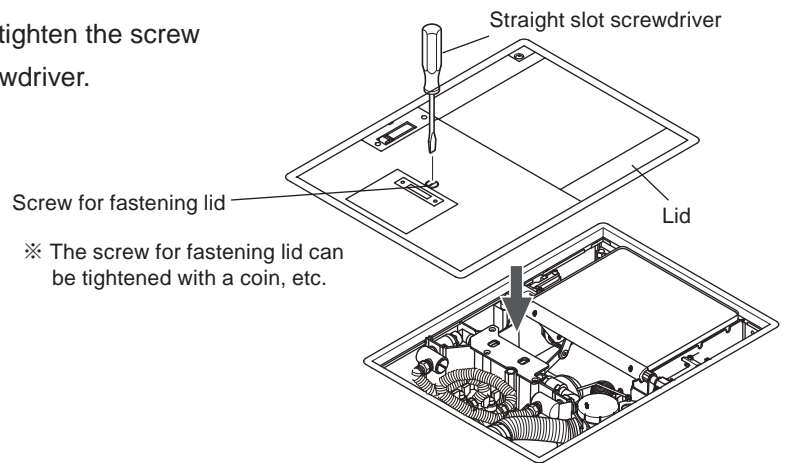
- When attaching the water supply Pipe and hot water supply Pipe, ensure that they do not come in contact with the basin pipes. Doing so will may cause water leaks.
- Always attach the supplied packing. Using YUME OASIS without installing the supplied packing may cause water leaks.
- Do not connect the hot water supply Pipe and water supply Pipe in reverse.
- Check that water is not leaking from the joint.

POINT

Three lengths of flexible pipes are provided in the packing for the use of piping water and hot water supply. The piping shown in the image above may be impossible depending on the position of the ascending part of the pipes. Use an appropriate length of flexible pipe for your piping.

4 Attachment of lid

Attach the lid to the floor unit and then tighten the screw for fastening lid with a straight slot screwdriver.



4 Carrying The Upper Unit

■ Carrying The Basin

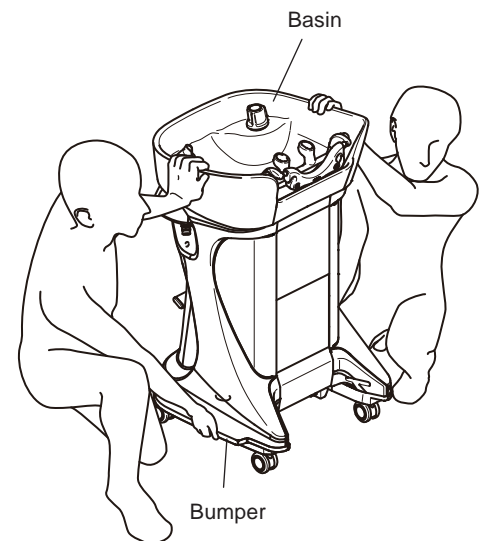
- 1 Remove the resin case (blue).
- 2 Unpack the wood frame.

⚠ CAUTION

This work should always be done by two people.
The basin body may fall over if it is not supported when the bolt is removed.

3 When the upper unit is carried

- Hold the top end of the basin and the bottom of the bumper as shown in the image on the right hand when the unit is carried.
- Carry the unit without removing the air mat mounted on the basin and the film tapes attached on the main body cover.
- Do not hold the stepped part under the basin or the main body cover.
Make sure to carry it by two people. (See the image on the right hand.)



⚠ CAUTION

- Never hold the stepped part under the basin or the main body cover.
Doing so may cause damage to the main body cover.
- Take care when handling the basin as it is heavy and fragile.
- Remove all metallic objects such as watches when carrying the basin.
If watches or belts are rubbing against basin, the basin may have a scar.
- Take extra care to ensure not to damage the covers.
- Do not touch the basin body pipes.
Doing so may cause water leaks.

⚠ CAUTION

The upper unit main has casters.
It can automatically roll down an incline or a slope.
Make sure to place it on a level floor surface.
The basin is unstable when it is not fixed to the floor.
Pay full attention to turnover.

■ Attachment Of Batteries <Back Wash Basin (YUME Basin) The latter of Model No. is without "NB" >

This product is battery specification.

Be prepared for AA size battery (LR6,2 pcs)[not included]

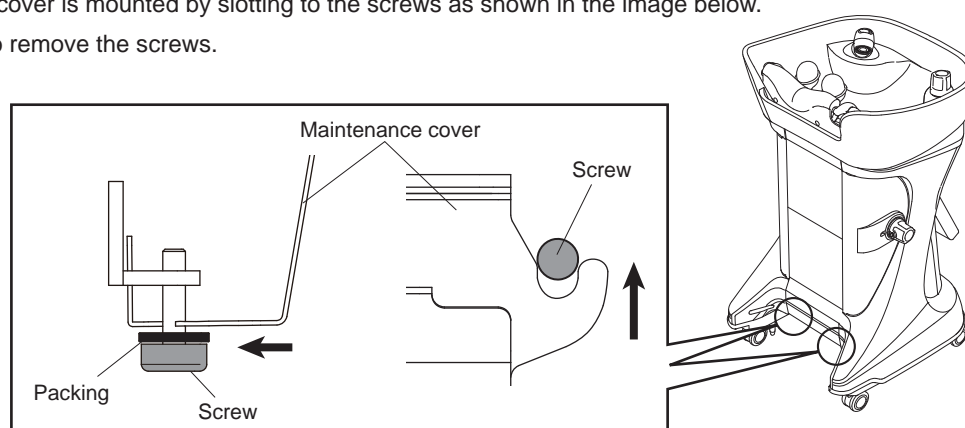
This product has a function to sound a warning beep in the case of dangerous action to the basin such as pushing up the basin by the chair back rest.
The batteries are necessary for sound the warning.
Set them properly according to the descriptions below:

Basin tilting function is for avoiding damage of the product.
It is not for adjusting difference in height.

1 Remove the maintenance cover.

The maintenance cover is mounted by slotting to the screws as shown in the image below.

It is not required to remove the screws.

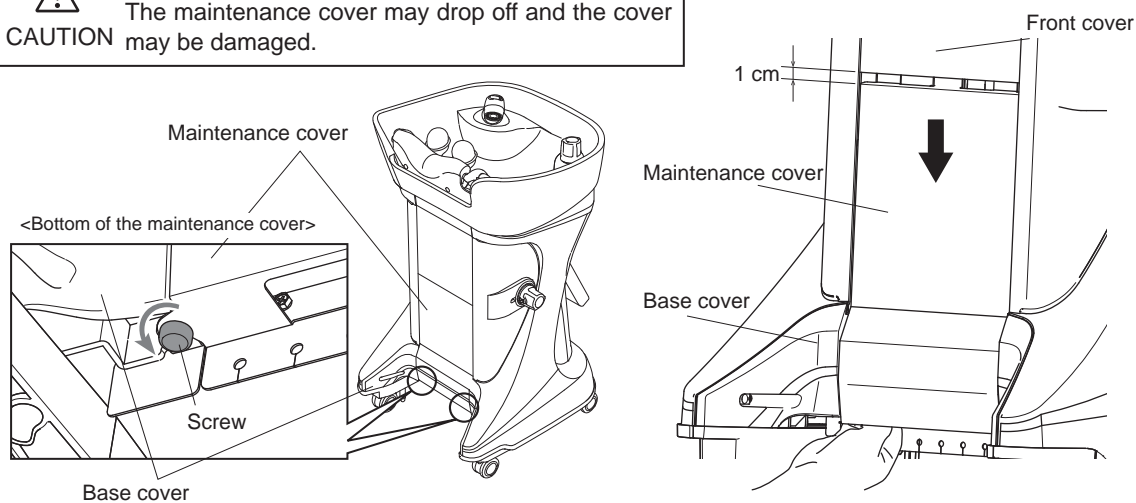


1. Loosen the screws (two positions: left and right)

※ Loosen each screw on the left and right hand side.

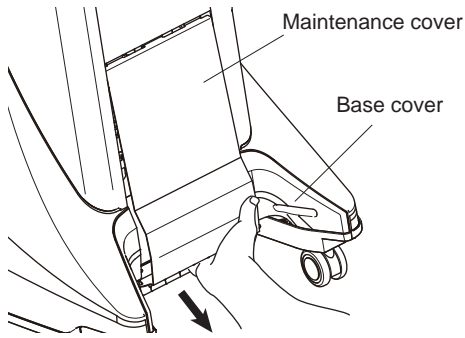
※ Loosen the two left and right screws until the gap between the maintenance cover and the front cover becomes around 1 cm.

CAUTION Do not loosen the screws too much.
The maintenance cover may drop off and the cover may be damaged.



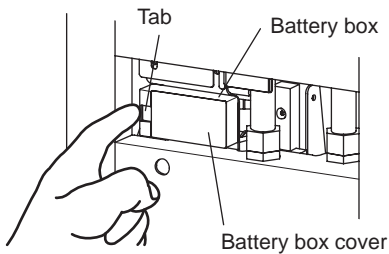
2. Remove the maintenance cover.

Hold the bottom of the maintenance cover and pull it to remove.



Hold the bottom of the maintenance cover and pull it to remove. The base cover may be damaged.

2. Apply your finger to tab of the battery box cover to detach the battery box cover.

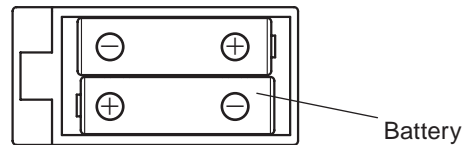


○ This product uses two AA batteries.

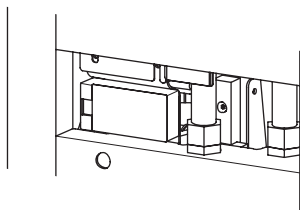
3. Properly set new batteries according to the indication in the image below.



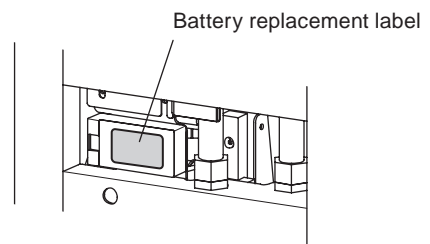
- Wrong setting may cause battery leakage or rupture.
- Do not use a new battery with an old one together. Battery leakage or rupture may occur.



4. Close the battery box cover.

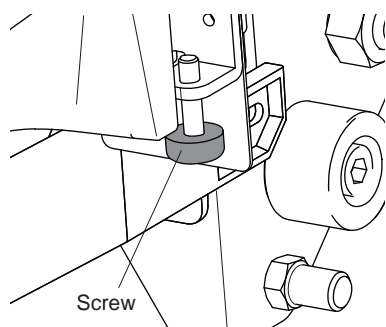


5. Write the date of setting in the battery replacement label. It can be the rough guide to replace the batteries next time.

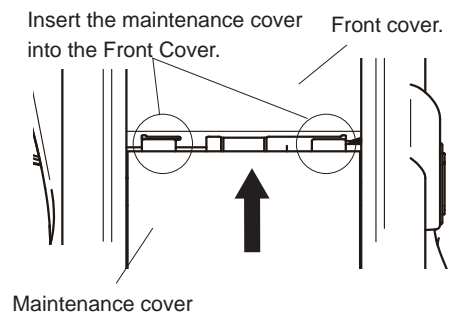


6. Attach the maintenance cover.

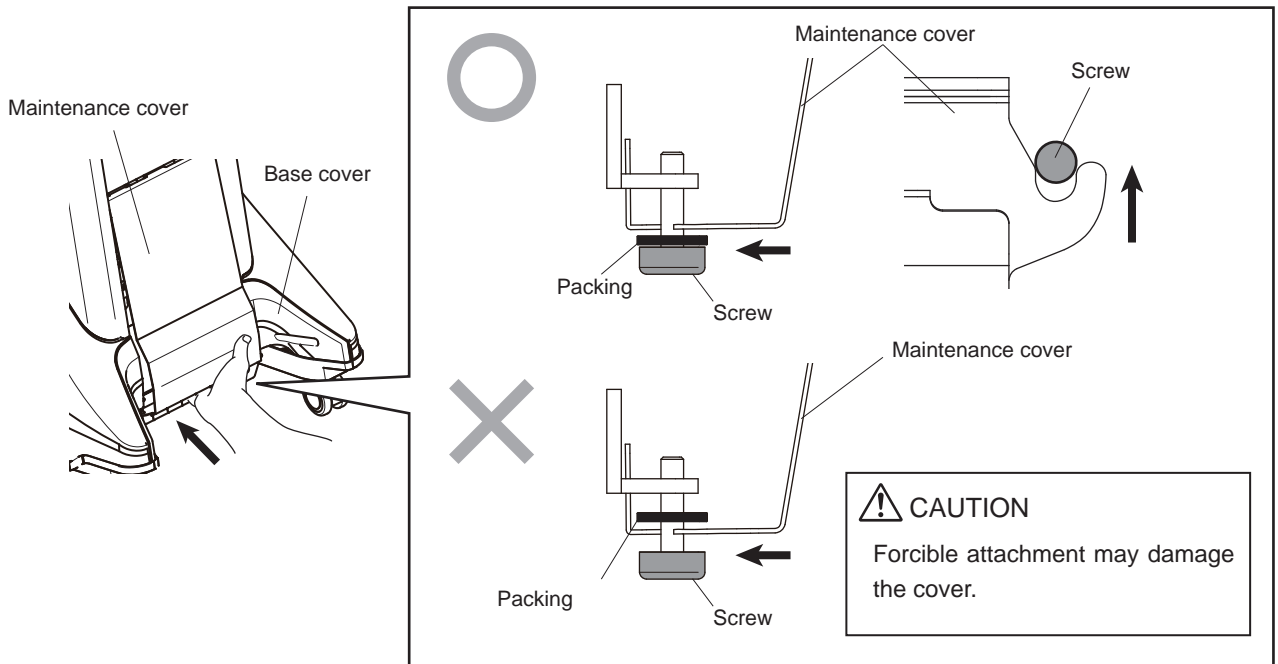
1. Confirm that the screws are loosened.



2. Insert the maintenance cover into the main body cover.

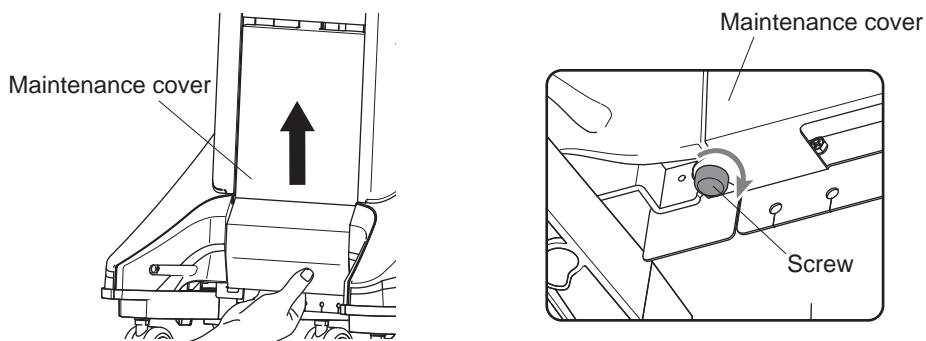


3. Make the bottom of the maintenance cover caught by the loosened screws.



CAUTION When the maintenance cover is attached, pay attention not to hit the base cover.
Forcible attachment may damage the cover.

4. Tighten the screws (two positions: left and right) while the maintenance cover is pushed upward.



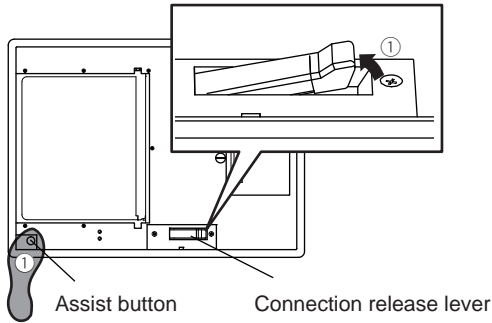
CAUTION

- Securely tighten the screws.
- If not, the maintenance cover may drop off, damaging the floor or the product.
- Do not connect the upper unit to the floor unit with the screws loosened. The top panel swing is interfered and the device may be damaged.

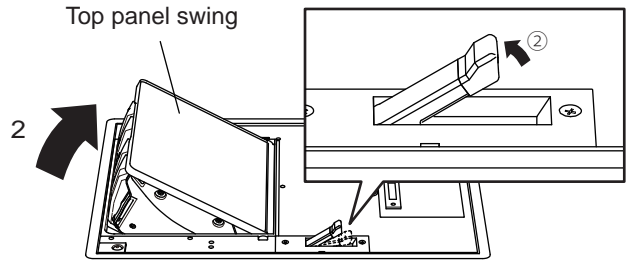
5 Connection Check With The Upper Unit

1 Open the top panel swing.

1. Step on the assist button to lift the release lever.

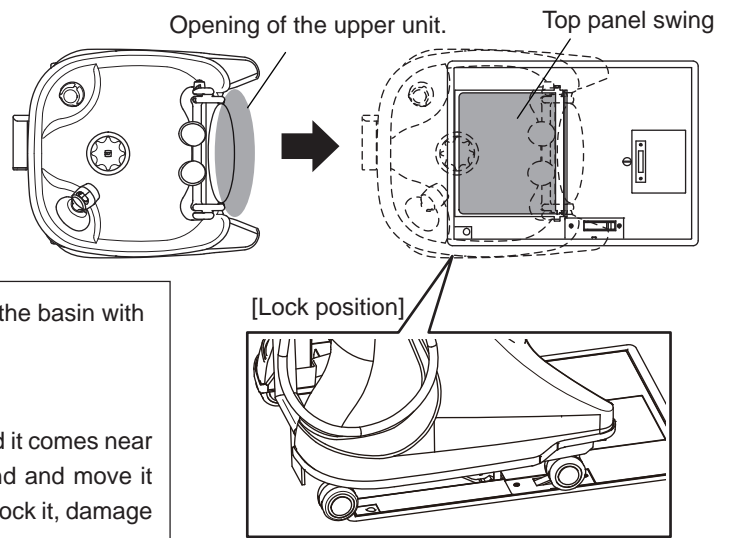


2. While the assist button is held down, use another foot to raise the release lever to the angle shown in the image. The top panel swing opens.



2 Fit the upper unit to the top panel swing.

Hold the basin and slowly move the upper unit forward. Fit it so that the top panel swing of the floor unit is inserted to the opening of the upper unit. Keep moving it forward slowly until the upper unit is locked.
 ※ You feel a light click when it is locked.



- When the upper unit is transferred, securely hold the basin with both hands and move it slowly. Pay attention to any obstacles on the floor.
- When the upper unit is fit to the top panel swing and it comes near the lock position, support the basin with your hand and move it slowly. If you rush to fit it to the top panel swing or lock it, damage to the devices or injury may be caused.

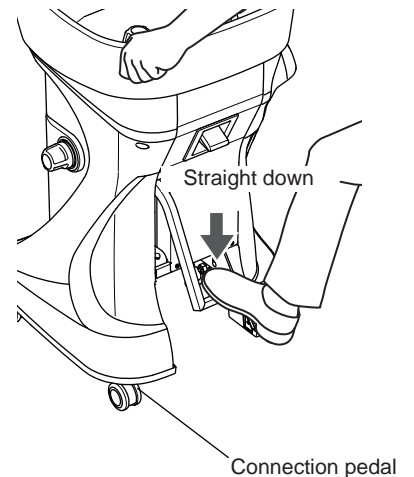
CAUTION When the upper unit is transferred, check the surroundings of the upper unit. Collision to a person or an object may result in injury or damage.

Positioning and securing completed.

3 Connect the piping

Depress the connecting pedal with your foot until a click sound is heard to connect the supply/drainpipes.
 ※ Insert your foot to the end of the connecting pedal and step on the pedal further.
 ※ If it is not firmly secured, the connecting pedal will come up. Depress the pedal again.

<If connection is difficult>
 Repeat depressing two or three times.
 If it is still difficult, depress the detaching pedal and then retry the step 2 and 3.



Connection of hot water supply, water supply and drain completed.

CAUTION Do not stand on the connection pedal or apply excessive force. It may damage the product or alter the shape of product.

6

Test Water Flow

1 Test the water flow.

⚠ CAUTION

- Always test the water flow to prevent accidents during use.
- When the product is shipped, the faucet handle (on the basin) is not tightly closed up.
If you open the stop valve while the upper unit is connected, water may come out from the shower head.

※ For Test Water Flow, check the followings:

The hot water may be slightly tainted at the start of the test water flow, however this does not indicate any problem.

※ For safety reasons, the product's thermostat is designed so that the hot water does not exceed 49°C.

(If the supply pressure is the same, water is 20°C and hot water is 60°C.)

1. Check for leakage from the piping connection part and the floor unit piping connection part.

The connection may get loosen during transportation.

Closely check the piping connection part inside the upper unit.

2. Check the shower outlet flow rate, refer to the following standards.

Shower outlet flow rate

hot water supply pressure, water supply pressure: 0.1 MPa each
Shower outlet temperature : 40°C

【Back Wash Basin (YUME Basin)】

YUME shower head : : Approximately 8.5 L/min
(Aerator) : Approximately 7.5 L/min

【Side Wash Basin】

YUME shower head : : Approximately 9.5 L/min
(Aerator) : Approximately 8.0 L/min

2 After the test water flow is finished, turn the mixer handle back to the initial position to stop water.

3 Release the connection of the upper unit and the floor unit.

Pull the connection release lever depressing the detaching pedal slowly.

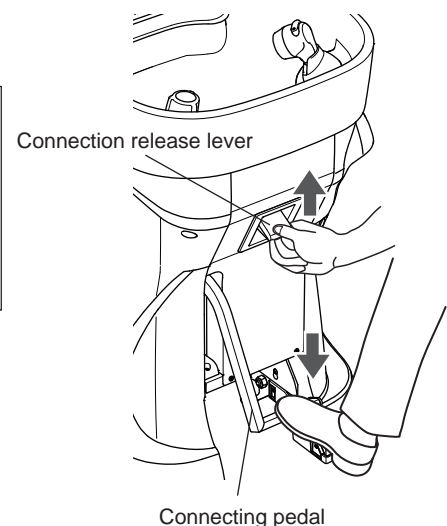
The connecting pedal return to the initial position.

The connection is released.

Note

The piping connection part has the mechanism that the valve blocks the flow path after the connection is released.

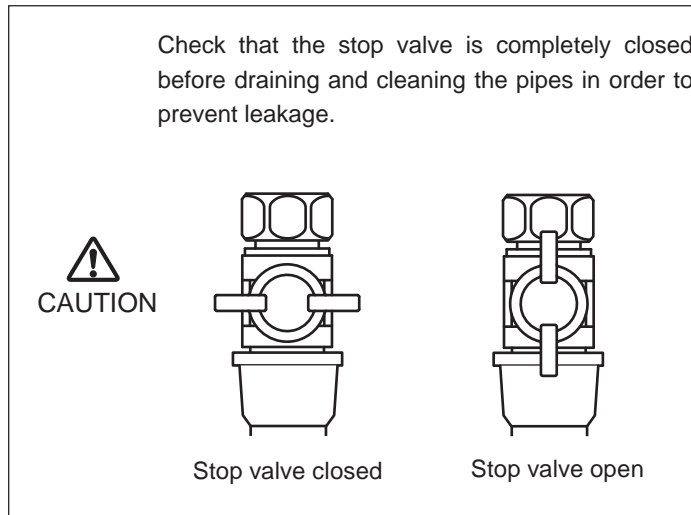
However, a tiny amount of water droplets may fall into the floor unit, which does not cause a problem. Use it as it is.



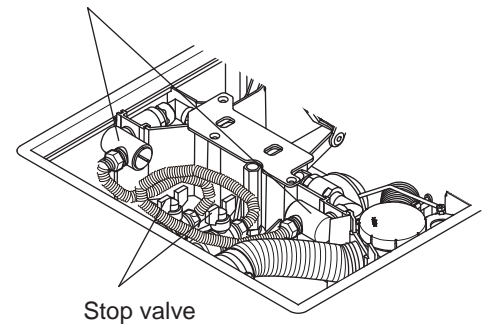
■ Cleaning

Be sure to clean the strainer (incorporated in the check valve) of the floor unit after the flow test is finished. If not cleaned, enough amount of water may not come out from the shower or troubles may occur in temperature adjustment.

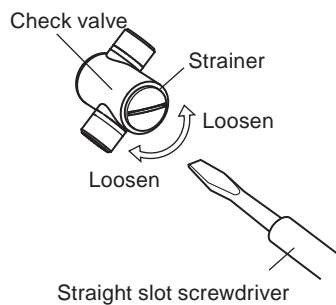
- 1 Prepare cloth to receive water (two or more sheets of cloth in the A4 paper size).
- 2 Close the stop valves on the hot water and water supplies.



Check valve (built in strainer)



- 3 Pack the cloth beneath the check valve.
- 4 Use a straight slot screwdriver to remove the strainer and then clean the dirt with water and a rag.



The hot water supply pipe may discharge high temperature water when the check valve is removed. Be especially careful when hot water is drained.

※ Drain and clean both the water supply pipe and the hot water supply pipe.

- 5 Drain and clean both the water supply pipe and the hot water supply pipe.



CAUTION

Securely tighten the strainer.
If it is loose, water leakage may occur.

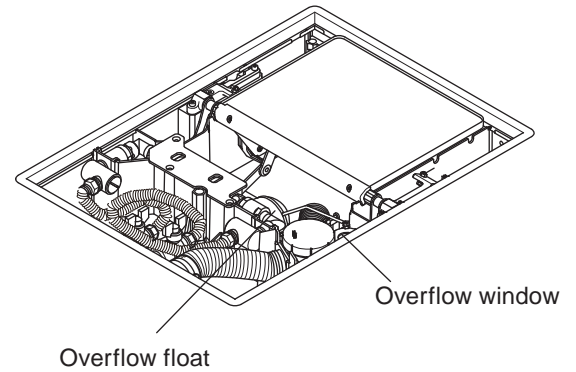
- 6 Open the stop valve and check that water is not leaking.
- 7 Wipe off spilled water and remove the packed cloth.

■ Checking Of Floor Unit

For checking of the floor unit, refer to the followings;

 **CAUTION** Be sure to check the floor unit in order to prevent accidents in operation.


1. No leakage in the piping connection part.
The connection may get loosen during transportation.
Tighten the piping connection part in the floor unit again.
2. All machine screws are attached.
3. The floor unit is firmly secured.
If the floor unit is loosened, tighten the machine screws of the level adjusters or the attaching part again.
4. The overflow window is closed.
If the overflow window is open, lower the overflow float to the specific position and close the overflow window.
5. Check for any defects such as scratch in appearance.



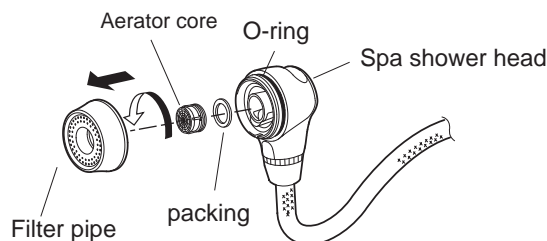
8 Cleaning And Check Of The Upper Unit

■ Cleaning

- After the hot water becomes clear during the water flow test, always clean the filter (built in check valve) and shower head.

 **CAUTION**
Failure to do so can result in insufficient flow rate and faulty temperature regulation.
Take care not to damage or lose the O-rings and packing.

Remove and clean any dirt trapped within the filter pipe.



■ Checking Of Filter Pipe

For checking of the upper unit, refer to the followings;

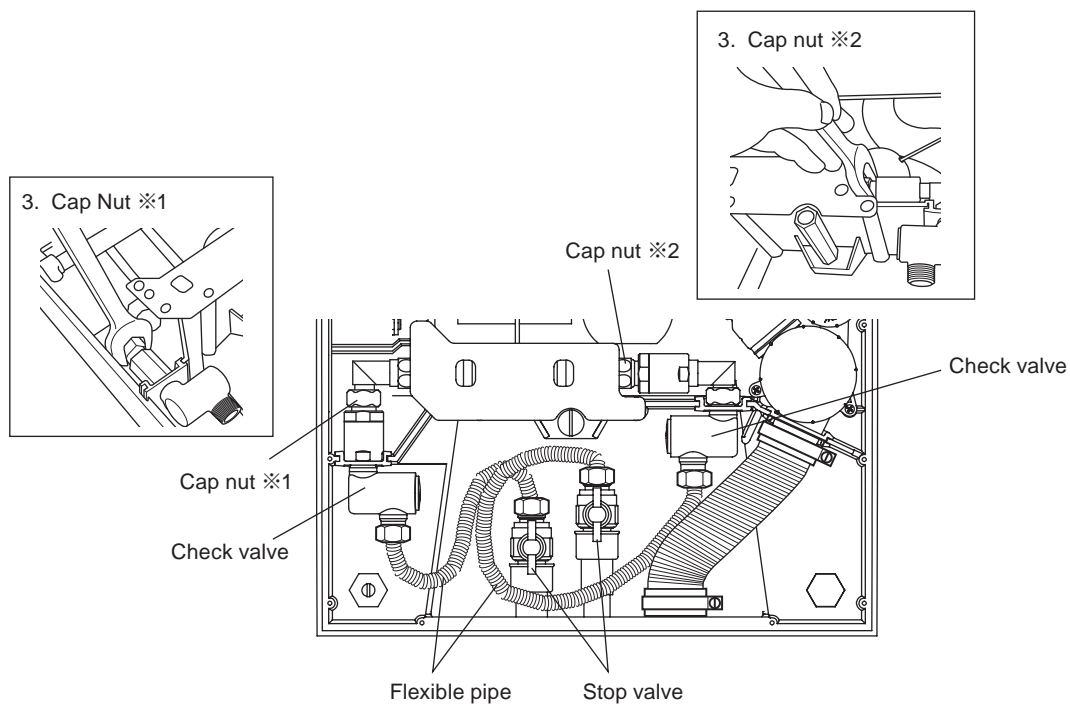
1. There is no cracks or dirt on the basin.
2. There is no defects such as scratch in appearance.
3. Lift the front of the basin and tilt it to check that the buzzer sounds.
(Only for Back Wash Basin (YUME Basin))

■ Countermeasure Against Low Water Pressure

- ※ When the both pressures of hot water/water supplies are 0.18 MPa (1.8 kg f/cm²) or less, select the floor unit "without pressure reducing valve".
- ※ If the hot water or water supply pressure is too low and the outlet flow from the shower head is small (7.6 L/min or less for a rough guide), change the pressure reducing valve to the joint (our optional item EA-OARS-T).
- ※ If solely the hot water supply pressure is low, change the parts only for the hot water supply.

<How to detach pressure reducing valve>

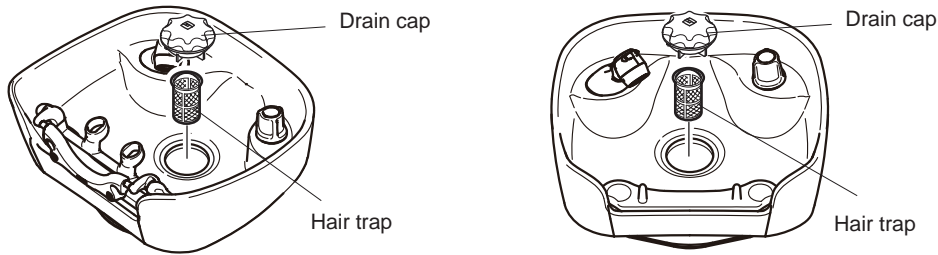
1. Close the stop valves on both sides of hot water/water supplies.
2. Remove the flexible pipe.
3. Loosen the Cap Nut and remove the check valve unit and the pressure reducing valve unit.
4. Detach the pressure reducing valve and attach the joint.
5. Perform the steps after (4) in the order of (3)→(2)→(1).
 - ※ Be sure to apply packing on both sides of the joint. If not applied, leakage may occur.



After Installation

■ Attachment Of The Hair Trap And The Drain Cap

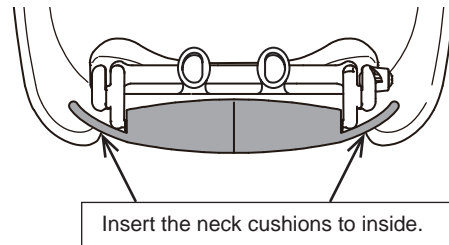
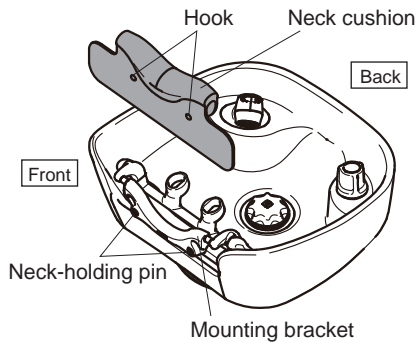
Put the hair trap into the drain port and place the drain cap on the top as shown in the image.



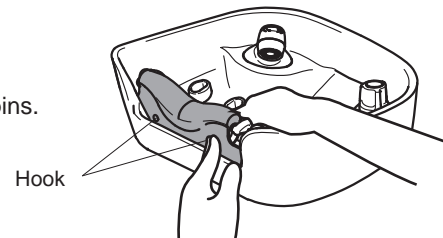
■ Attach neck cushion

<Back Wash Basin (YUME Basin)>

1. Insert the neck cushion to the mounting bracket in the direction as shown in the image.
(Pay attention to the front/back direction.)



2. Attach the left hooks of the neck cushion to the neck-holding pins of the mounting bracket.
(Check that both front and back hooks are attached.)
3. Adjust the shape of the neck cushion to suit the mounting bracket, and attach the basin side hooks of the neck cushion to the neck-holding pins.
(Check that both front and back hooks are attached.)



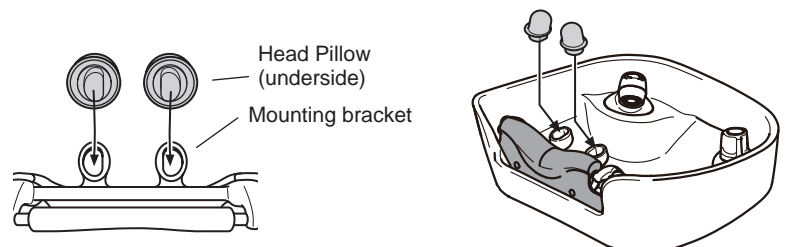
! The neck-holding pins are detachable.
Take care not to lose the neck-holding pins.

! CAUTION

- Arrange the shape of the neck cushion along the mounting bracket and attach the right hooks to the neck-holding pins of the mounting bracket. When the neck cushion is removed, detach the four hooks from the neck-holding pins and lift the neck cushion. If an excessive force is applied to forcibly detach the hooks, the part can be damaged.
- Check that the neck cushion is entirely contained in the basin and it is not folded or attached in a stressed condition.
The neck cushion may be damaged or water may splash from the front of the basin.
- Do not apply excessive force when the neck cushion is attached. The neck cushion may be damaged.

■ Attach the Head Pillow

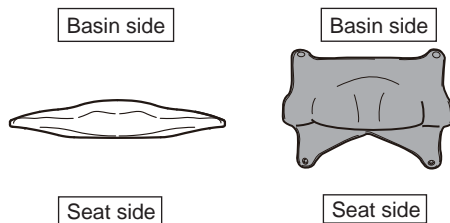
Insert the head pillow in the direction as shown in the image.



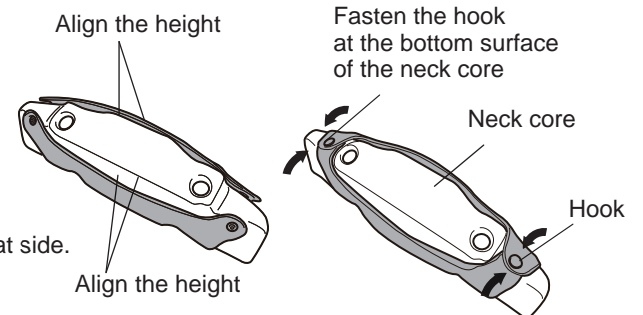
<Side Wash Basin >

1. Align the neck cushion to the center of neck core as the below.
Check the direction of the neck cushion-and neck core.

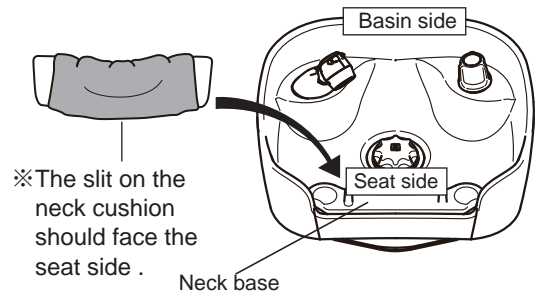
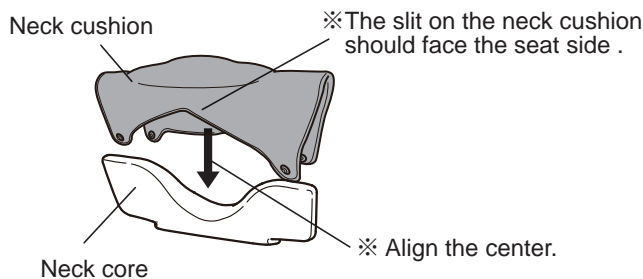
<Top View>



The slit on the neck cushion should face the seat side.



3. Fix the neck core to the neck base and attach.
Take note of the direction to fix the neck core.



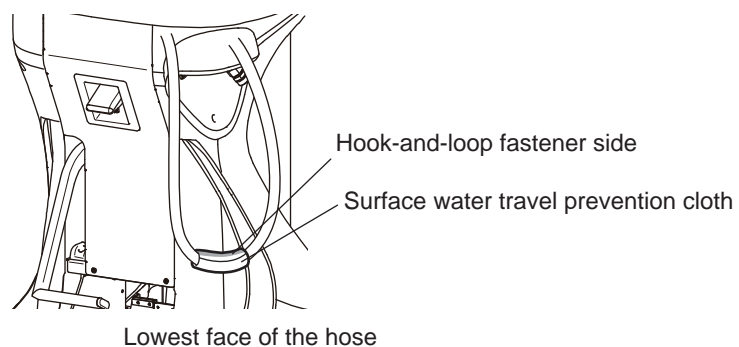
CAUTION

Do not force the neck cushion if it does not fit smoothly.
Instead, check the following points.
Forcing the neck core on may cause damage to the neck base or injury to customers.

- Check the neck core insert the direction.
- If the neck cushion is loose, check the direction of the neck cushion toward the neck core.
- If the neck core dowel hole is clogged with dirt, clean and remove the dirt before use.

■ Attachment Of The Surface Water Travel Prevention Cloth To The Shower Hose

Wrap the cloth at the lowest face of the shower hose with the hook-and-loop fastener facing upward as shown in the right image.



Specifications (YUME OASIS)

Model No.	AY-OAYMYM- AY-OAYMYM-NB	AY-OAYMSS-*
Faucet fittings	Thermo mixing system	Thermo mixing system
Outlet	Switching system (aerator/shower)	Switching system (aerator/shower)
Outlet flow rate (hot water supply pressure, water supply pressure: 0.1 MPa each)	Aerator: Approximately 7.5 L/min Aerator: Approximately 8.5 L/min	Aerator: Approximately 8.0 L/min Aerator: Approximately 9.5 L/min
Faucet system	Single faucet (handle type)	Single faucet (handle type)
Mass	Upper unit 48 kg Floor unit 16 kg	Upper unit 46 kg Floor unit 16 kg
Operating Condition	Operating temperature 10 to 40 °C	Operating temperature 10 to 40 °C

External View Drawing

- Upper unit/Floor Unit Combination

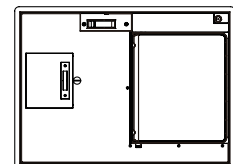
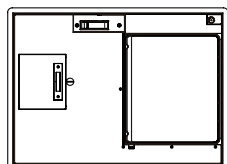
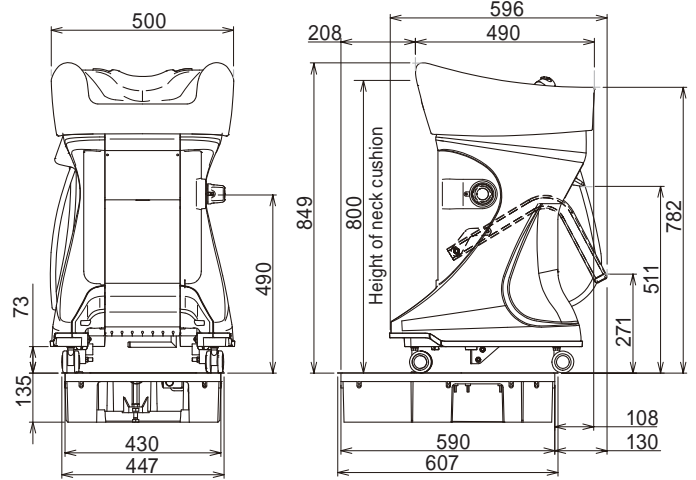
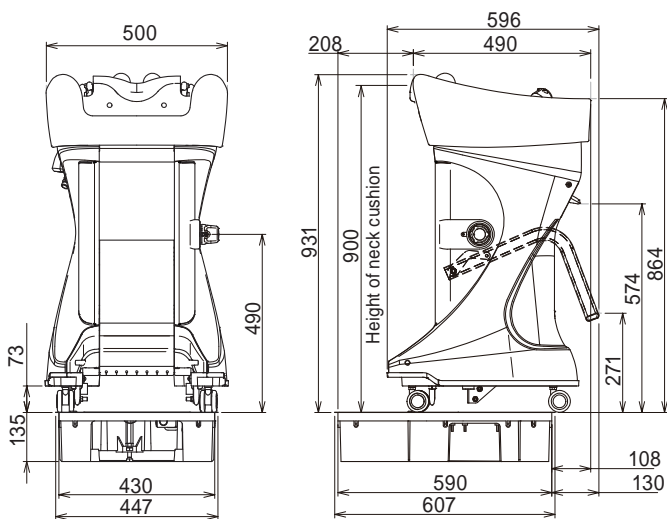
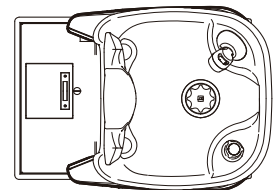
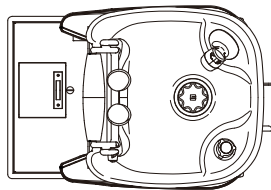
<Back Wash Basin (YUME Basin)>

AY-OAYMYM-*

AY-OAYMYM-NB*

<Side Wash Basin >

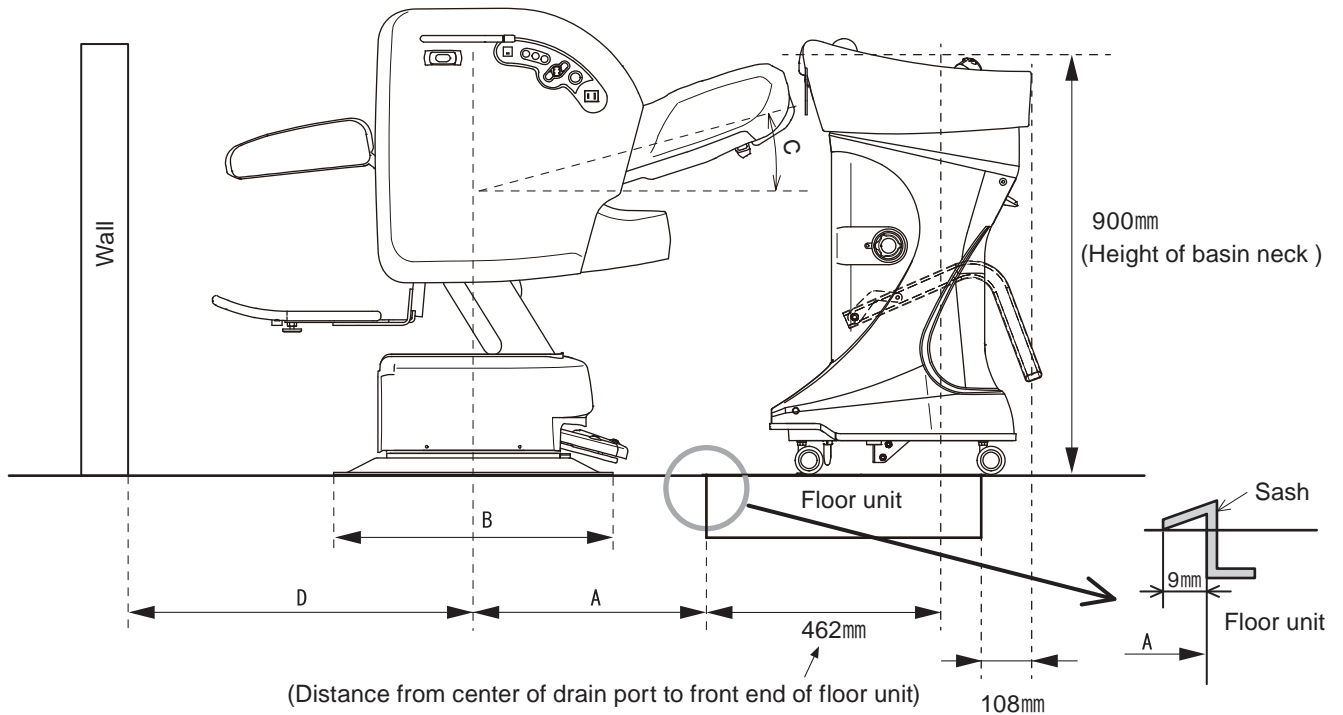
AY-OAYMSS-*



Chair Correlation Dimension

■ Back Wash Basin (YUME Basin)

● Men's Chair (Flat)



	Distance from center of chair base to front end of floor unit (A)	Base dimension (B)	Angle of back rest (C)	Distance from center of chair base to wall (D)
MARVEL	450 mm	φ600 mm	15°	1200 mm or longer
LUAR	450 mm	φ600 mm	15°	1200 mm or longer
LEGEND	465 mm	φ600 mm	16°	1200 mm or longer
INOVA	450 mm	D620×W580mm	15°	1200 mm or longer
Divan	540 mm	φ600 mm	10°	1200 mm or longer
LANCER	420 mm	D620×W580mm	19°	1200 mm or longer
REGALOII	540 mm	φ600 mm	12°	1200 mm or longer
Alivio Type A	440 mm	D620×W580mm	18°	1200 mm or longer
SPX	450 mm	D620×W580mm	15°	1200 mm or longer
Able	485 mm	D590×W560mm	11°	1200 mm or longer
Belle Chaise	475 mm	D590×W560mm	12°	1200 mm or longer

A-dimension

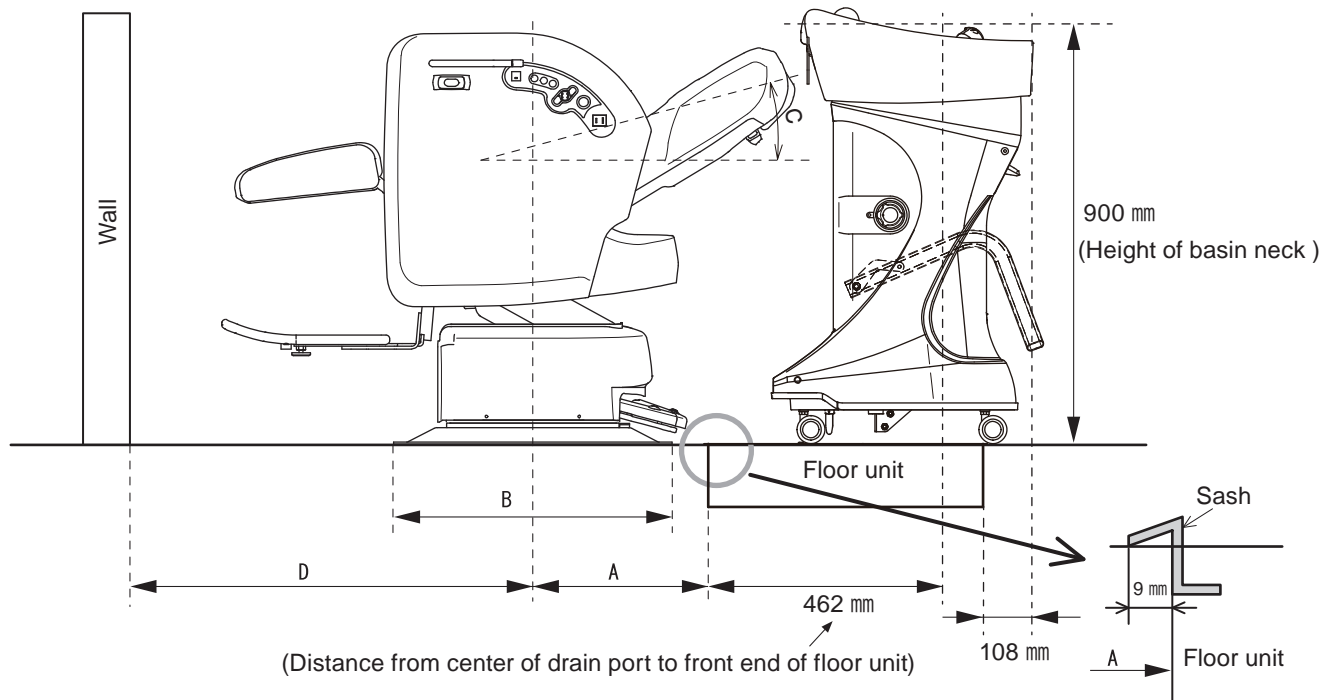
The A-dimension is the distance from the center of the chair rotation to the front end of the resin case of the floor unit. (As above illustration, A-dimension is not the distance to the sash.)

D-dimension

The D-dimension is given as a reference for non-disturbance of the seated person to the operation.

Set it depending on the site condition and customer's request.

● Men's Chair (Lay Flat)



	Distance from center of chair to front end of floor unit (A)	Base dimension (B)	Angle of back rest (C)	Distance from center of chair base to wall (D)
MARVEL	335 mm	φ600 mm	30°	1200 mm or longer
LUAR	335 mm	φ600 mm	30°	1200 mm or longer
LEGEND	355 mm	φ600 mm	30°	1200 mm or longer
INOVA	330 mm	D620×W580 mm	30°	1200 mm or longer
Divan	335 mm	φ600 mm	30°	1200 mm or longer
LANCER	385 mm	D620×W580 mm	30°	1200 mm or longer
REGALOII	395 mm	φ600 mm	30°	1200 mm or longer
Alivio Type A	390 mm	D620×W580 mm	30°	1200 mm or longer
SPX	330 mm	D620×W580 mm	30°	1200 mm or longer
Able	305 mm	D590×W560 mm	30°	1200 mm or longer
Belle Chaise	310 mm	D590×W560 mm	30°	1200 mm or longer

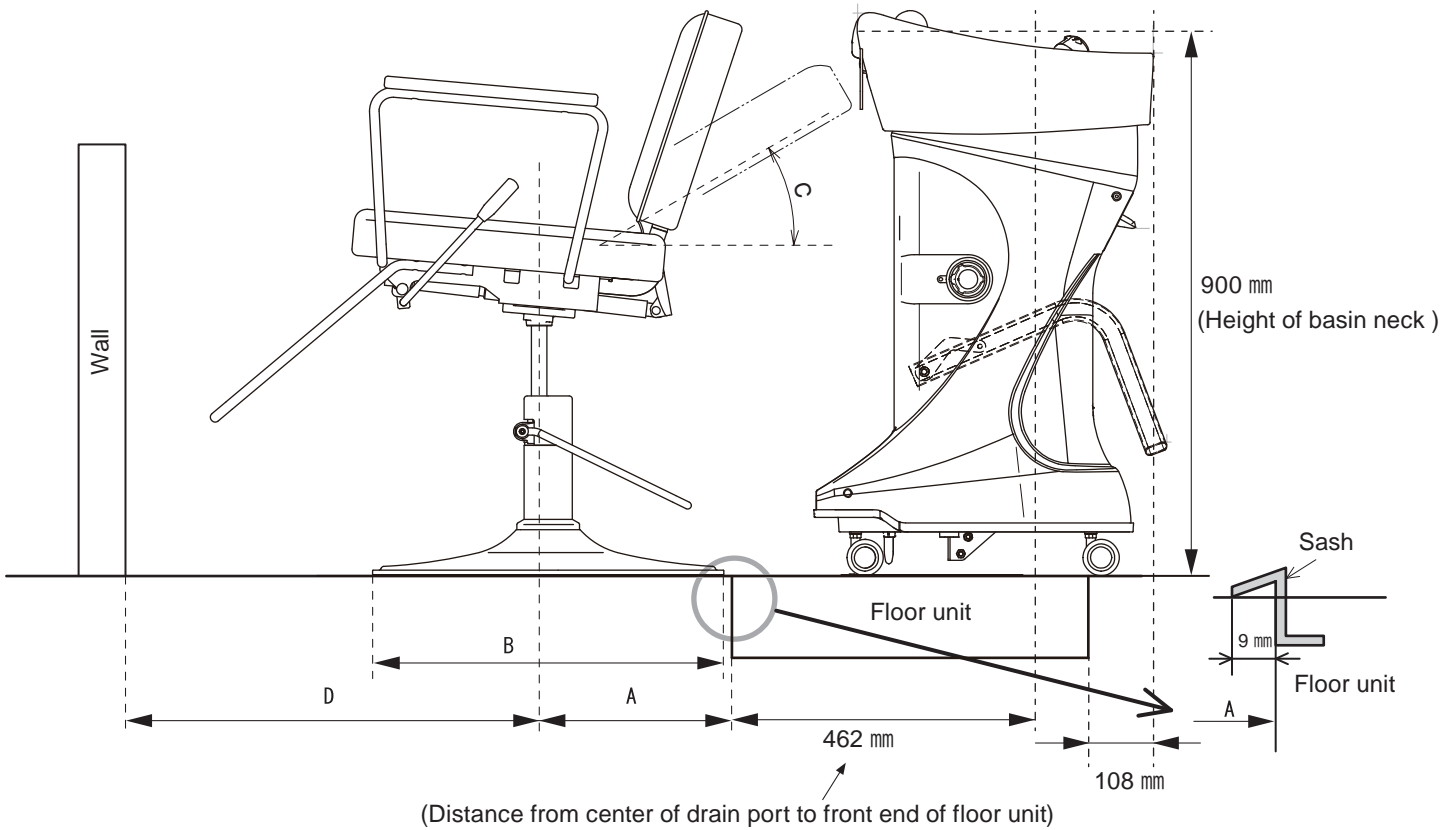
A-dimension

The A-dimension is the distance from the center of the chair rotation to the front end of the resin case of the floor unit.
(As above illustration, A-dimension is not the distance to the sash.)

D-dimension

The D-dimension is given as a reference for non-disturbance of the seated person to the operation.
Set it depending on the site condition and customer's request.

● Shampoo Chair (Lay Flat)



	Distance from center of chair rotation (ram) to front end of floor unit (A)	Base dimension (B)	Angle of back rest (C)	Distance from center of chair rotation (ram) to wall (D)
Vintage alt+SP-Y	325 mm	φ580 mm	30°	900 mm or longer
Vintage alt+SP-YE	325 mm	φ512 mm	30°	900 mm or longer
Penta+SP-AH/AI	285 mm	φ565 mm	30°	900 mm or longer
CADILLA+SP-AC/AD	310 mm	φ565 mm	30°	900 mm or longer
205+SP-AC/AD	310 mm	φ565 mm	30°	900 mm or longer
MACCOW D+SP-AC/AD	335 mm	φ565 mm	30°	900 mm or longer
215+SP-202C	295 mm	φ565 mm	30°	900 mm or longer

A-dimension

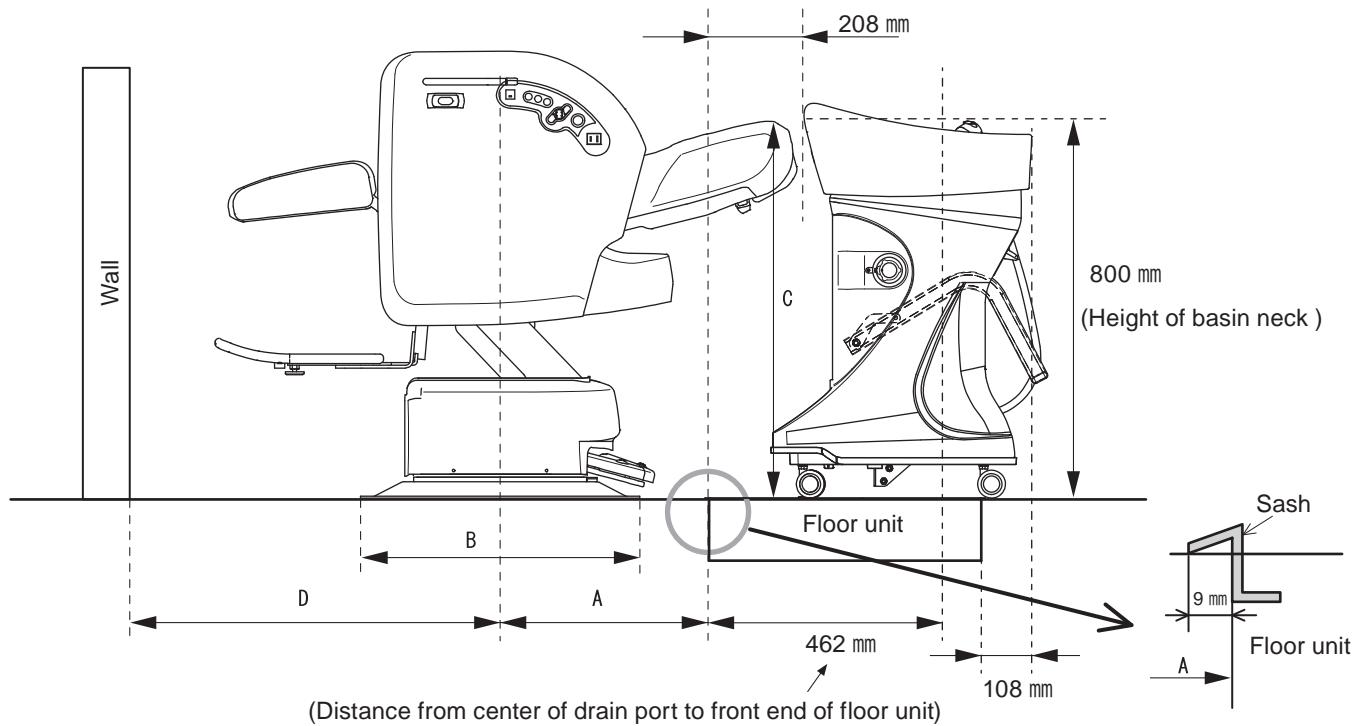
The A-dimension is the distance from the center of the chair rotation to the front end of the resin case of the floor unit. (As above illustration, A-dimension is not the distance to the sash.)

D-dimension

The D-dimension is given as a reference for non-disturbance of the seated person to the operation. Set it depending on the site condition and customer's request.

■ Side Wash Basin

● Men's Chair



	Distance from center of base to front end of floor unit (A)	Base dimension (B)	Angle of back rest (C)	Distance from center of chair to wall (D)
MARVEL	440 mm	φ600 mm	775 mm	1200 mm or longer
LUAR	400 mm	φ600 mm	765 mm	1200 mm or longer
LEGEND	400 mm	φ600 mm	765 mm	1200 mm or longer
INOVA	390 mm	D620×W580 mm	760mm	1200 mm or longer
Divan	435 mm	φ600 mm	765 mm	1200 mm or longer
LANCER	410 mm	D620×W580 mm	750 mm	1200 mm or longer
REGALOII	465 mm	φ600 mm	780 mm	1200 mm or longer
Alivio Type A	435mm	D620×W580 mm	775mm	1200mm or longer
SPX	450 mm	D620×W580 mm	760 mm	1200 mm or longer
Able	425 mm	D590×W560 mm	770 mm	1200 mm or longer
Belle Chaise	425 mm	D590×W560 mm	765 mm	1200 mm or longer

A-dimension

The A-dimension is the distance from the center of the chair rotation to the front end of the resin case of the floor unit. (As above illustration, A-dimension is not the distance to the sash.)

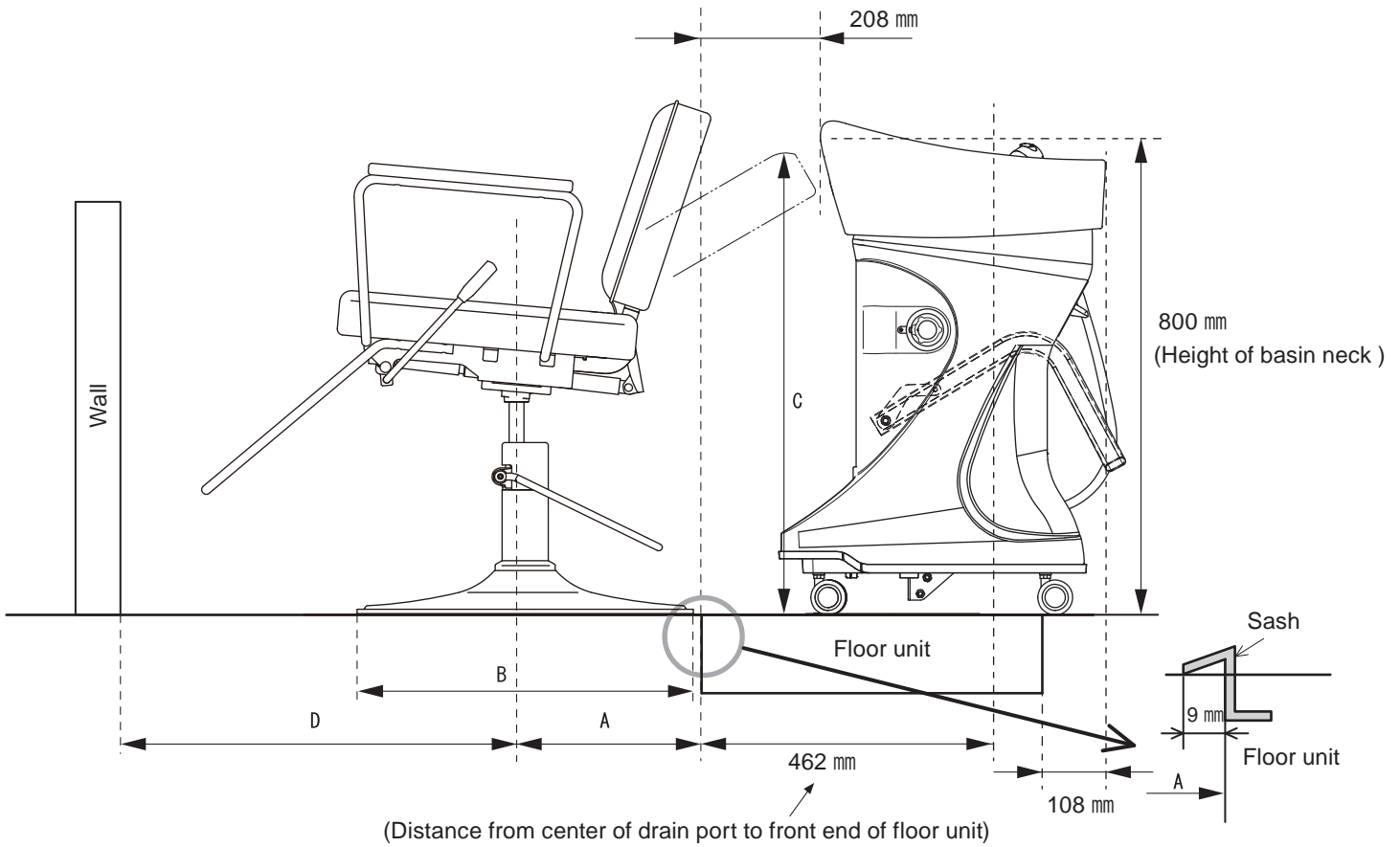
For the distance to the front end of the sash, subtract 20 mm (sash dimension) from the A-dimension.

D-dimension

The D-dimension is given as a reference for non-disturbance of the seated person to the operation.

Set it depending on the site condition and customer's request.

● Shampoo Chair



	Distance from center of chair rotation (ram) to front end of floor unit (A)	Base dimension (B)	Angle of back rest (C)	Distance from center of chair rotation (ram) to wall (D)
Vintage alt+SP-YC	350 mm	φ580 mm	765 mm	900 mm or longer
Vintage alt+SP-YE	350 mm	φ512 mm	765 mm	900 mm or longer
Penta+SP-AH/AI	330 mm	φ565 mm	770 mm	900 mm or longer
CADILLA+SP-AC/AD	310 mm	φ565 mm	750 mm	900 mm or longer
205+SP-AC/AD	310 mm	φ565 mm	750 mm	900 mm or longer
215+SP-202C	320 mm	φ565 mm	745 mm	900 mm or longer

A-dimension

The A-dimension is the distance from the center of the chair rotation to the front end of the resin case of the floor unit. (As above illustration, A-dimension is not the distance to the sash.)

For the distance to the front end of the sash, subtract 20 mm (sash dimension) from the A-dimension.

D-dimension

The D-dimension is given as a reference for non-disturbance of the seated person to the operation.

Set it depending on the site condition and customer's request.

MEMO



Takara Belmont (UK) Ltd.

BELMONT HOUSE, ONE ST. ANDREWS WAY, BOW, LONDON
E3 3PA, ENGLAND

<http://www.takara.co.uk/>

TEL: +44 (0) 20 7515 0333



TAKARA BELMONT CORPORATION

1-1, 2-Chome, Higashi-shinsaibashi, Chuo-ku, Osaka, Japan

TEL: (06) 6213-5945

FAX: (06) 6212-3680

Printed in Japan

Book Number

1E05LKA0
